

[54] DENTAL FLOSS HOLDER

[76] Inventor: Jonathon P. Doyle, 1120 Chatterleigh Cir., Towson, Md. 21204

[\*\*] Term: 14 Years

[21] Appl. No.: 355,133

[22] Filed: Mar. 5, 1982

[52] U.S. Cl. .... D28/64

[58] Field of Search ..... D28/64; 132/89, 90, 132/91, 92 R, 92 A, 93, 84 A, 79 R; 215/355; D6/87; 222/92

[56] References Cited

U.S. PATENT DOCUMENTS

D. 221,948	9/1971	Centofanti	.....	D28/64
D. 226,768	4/1973	Schwartz	.....	D28/64
691,581	1/1902	Baumeister	.....	132/92
736,650	8/1903	Storms, Jr.	.....	132/91
893,345	7/1908	Monson	.....	132/91

2,612,176	9/1952	Sam	.....	132/91
4,051,857	10/1977	Zambito	.....	132/91

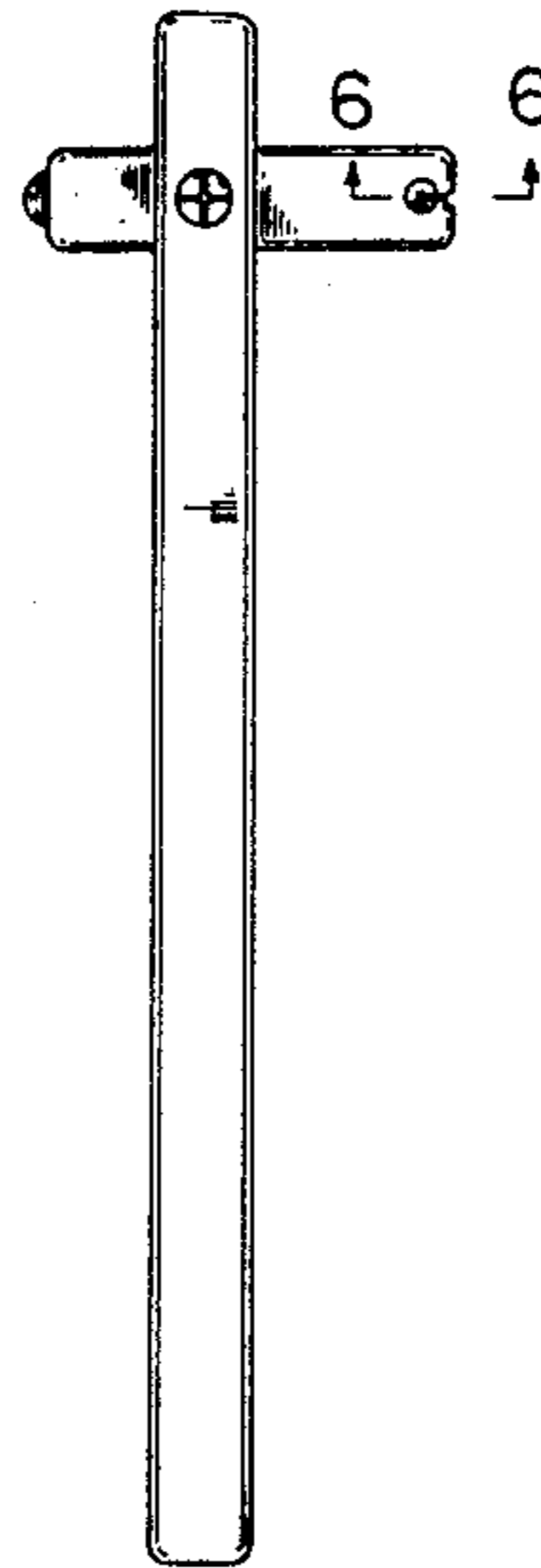
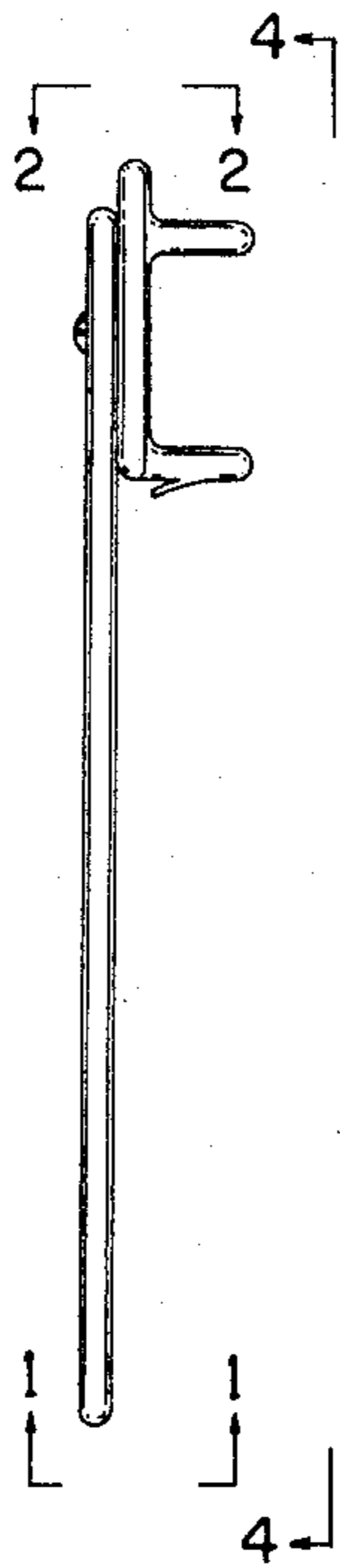
Primary Examiner—James M. Gandy  
Assistant Examiner—Horace B. Fay  
Attorney, Agent, or Firm—John F. McClellan, Sr.

[57] CLAIM

The ornamental design for a dental floss holder, substantially as shown and described.

DESCRIPTION

FIG. 1 is an end view taken at 1—1, FIG. 3 of a dental floss holder showing my new design; FIG. 2 is an end view thereof taken at 2—2, FIG. 3; FIG. 3 is a left-side elevational view thereof; the right side is a mirror-image thereof; FIG. 4 is a face view; FIG. 5 is a back view thereof, with one part of the holder in an alternative position; and FIG. 6 is a fragmentary detail, partially in section, taken at 6—6, FIG. 5.



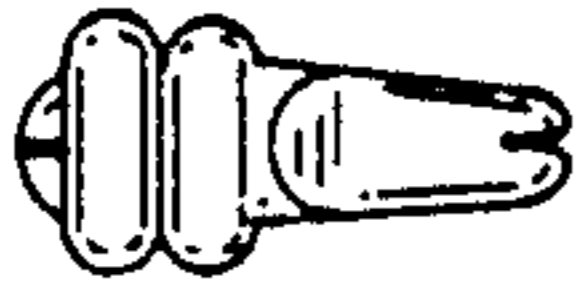


FIG. 1

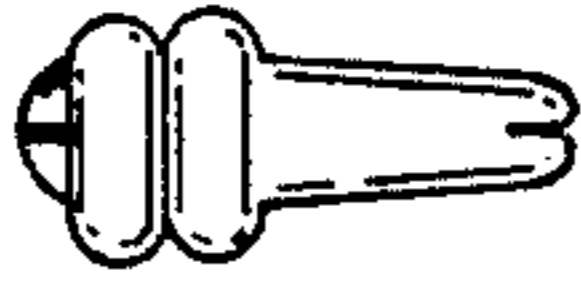


FIG. 2



FIG. 6

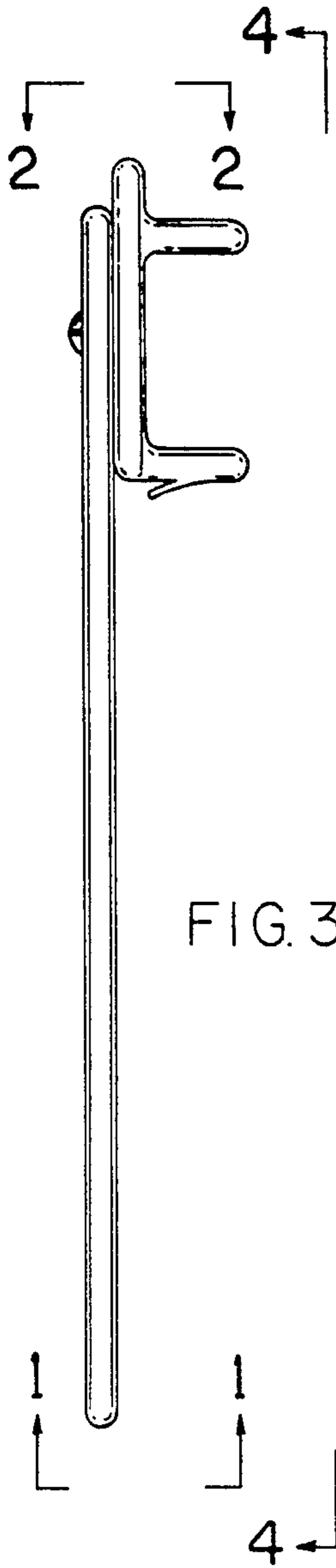


FIG. 3



FIG. 4

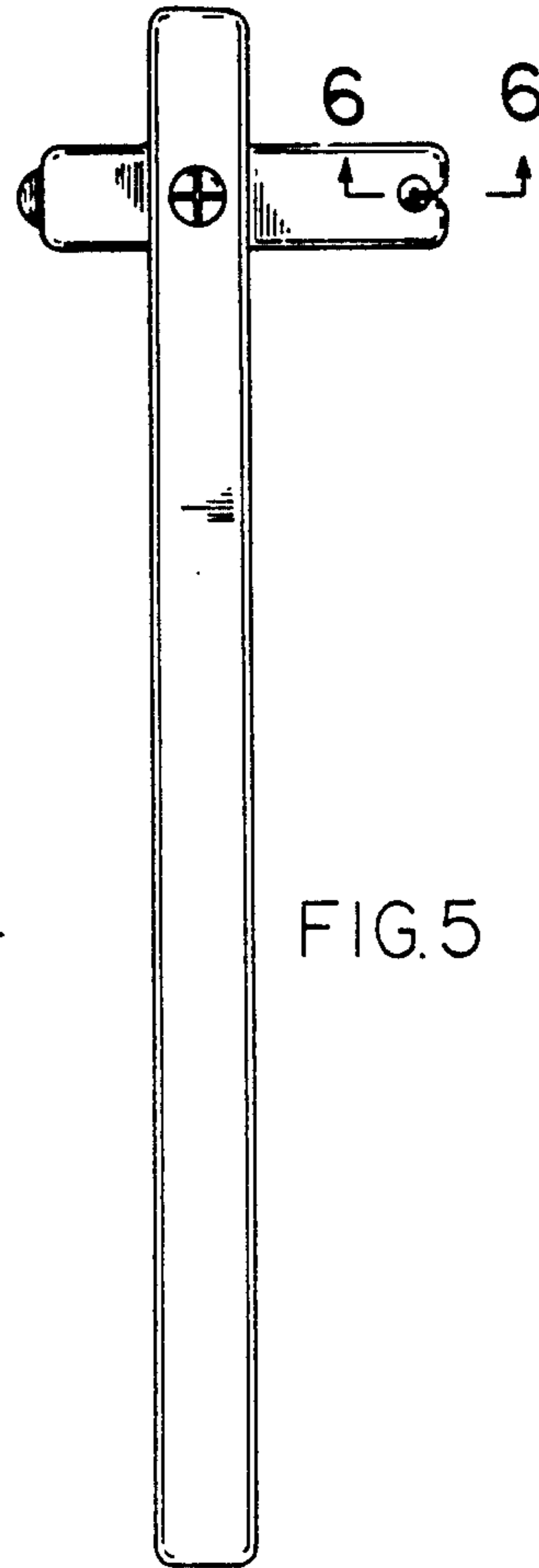


FIG. 5