

[54] **STRAIGHT FLOW MANIFOLD**

[76] Inventors: **Burrell E. Clawson**, 823 W. 16th St., Newport Beach, Calif. 92623; **James Weigl**, 2241 Chicago Ave., Riverside, Calif. 92507

[**] Term: **14 Years**

[21] Appl. No.: **371,316**

[22] Filed: **Apr. 23, 1982**

[52] U.S. Cl. **D24/53**

[58] Field of Search **D24/34, 53; 128/200.24, 128/200-204.18, 205.12, 206.5, 207.12; 137/597, 602, 625.4, 883; 55/257, 462, 316; 261/55, 154, 150, 45, 112, 153, 146; 604/23, 30, 43; D15/8, 7**

[56] **References Cited**

U.S. PATENT DOCUMENTS

911,858 2/1909 Walters 138/625

4,253,468 3/1981 Lehmbeck 128/200.18
4,265,238 5/1981 Swiatosz 128/205.12
4,386,948 6/1983 Choksi et al. 128/205.12

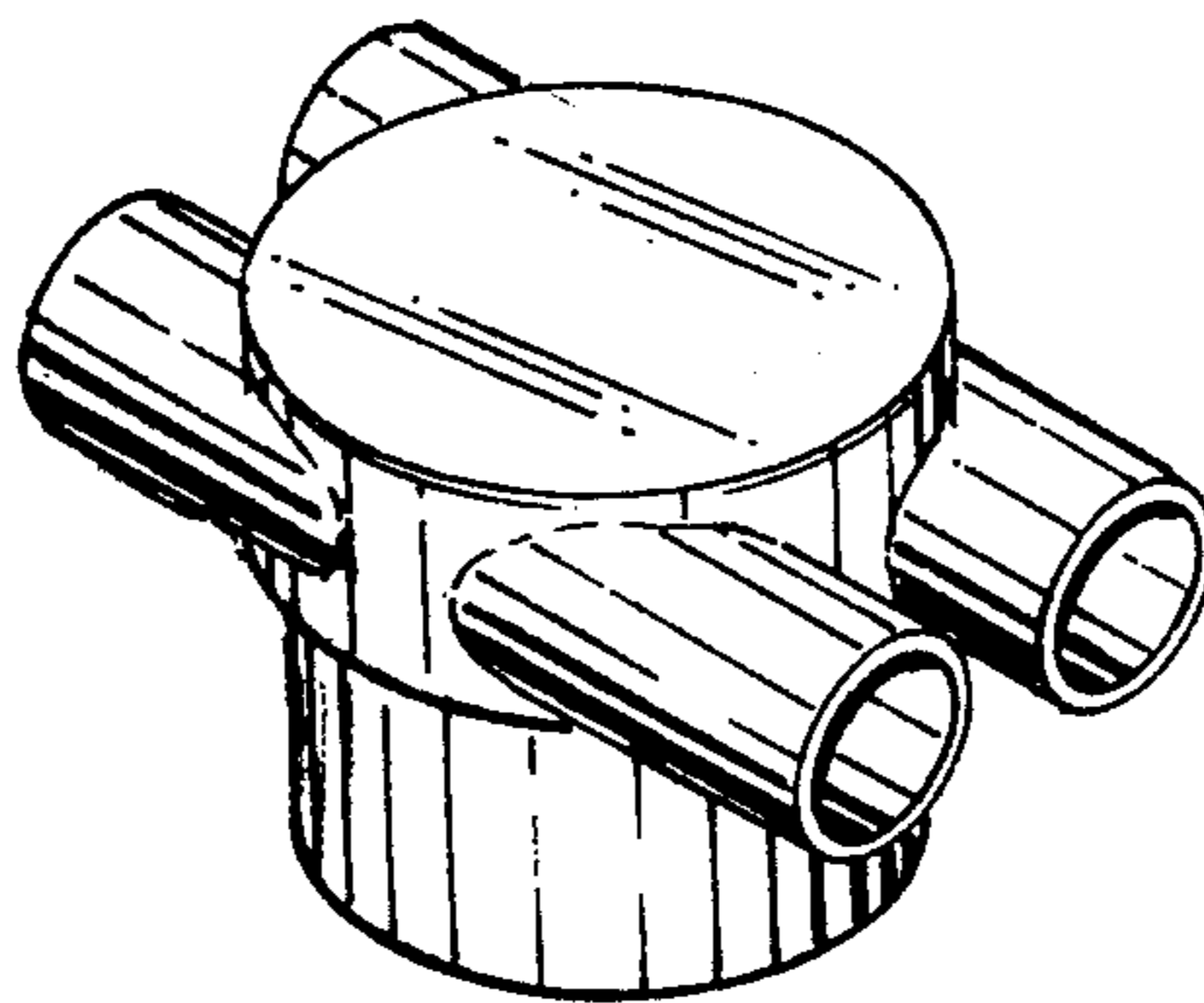
Primary Examiner—A. Hugo Word
Assistant Examiner—Ruth C. Anderson
Attorney, Agent, or Firm—Grover A. Frater

[57] **CLAIM**

The ornamental design for a straight flow manifold, as shown and described.

DESCRIPTION

FIG. 1 is a perspective view of a straight flow manifold showing our new design;
FIG. 2 is a view showing the appearance in elevation of the front and rear thereof;
FIG. 3 is a view in side elevation thereof;
FIG. 4 is a bottom plan view thereof;
FIG. 5 is a top plan view thereof; and
FIG. 6 is a cross-sectional view taken on line 6—6 of FIG. 5.



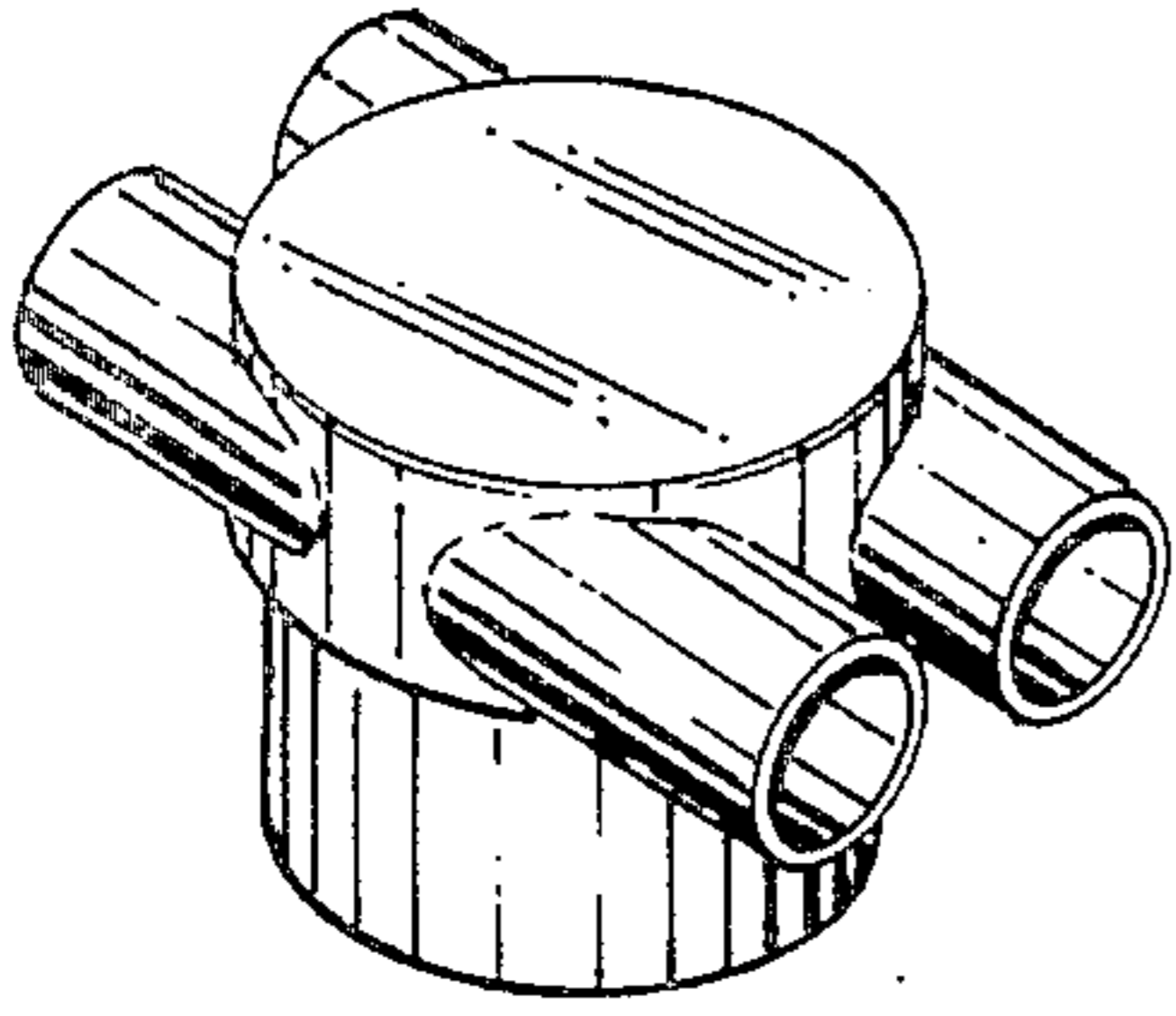


FIG. 1

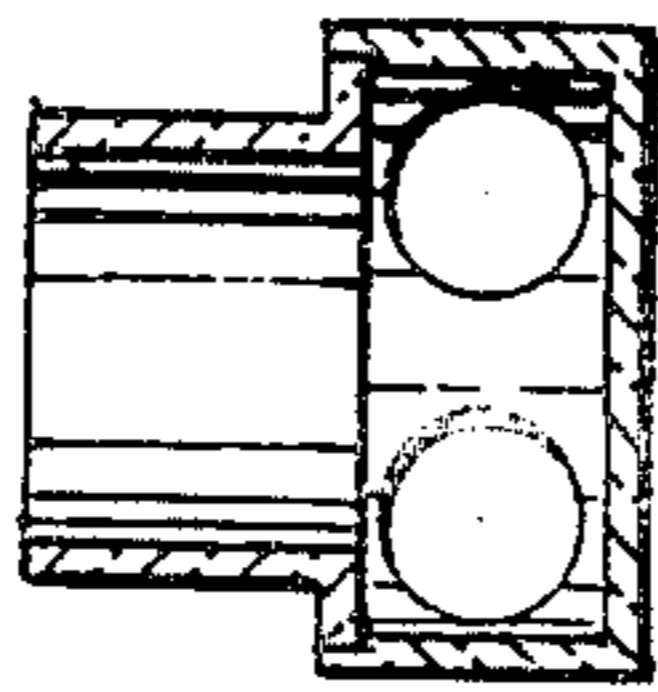


FIG. 6

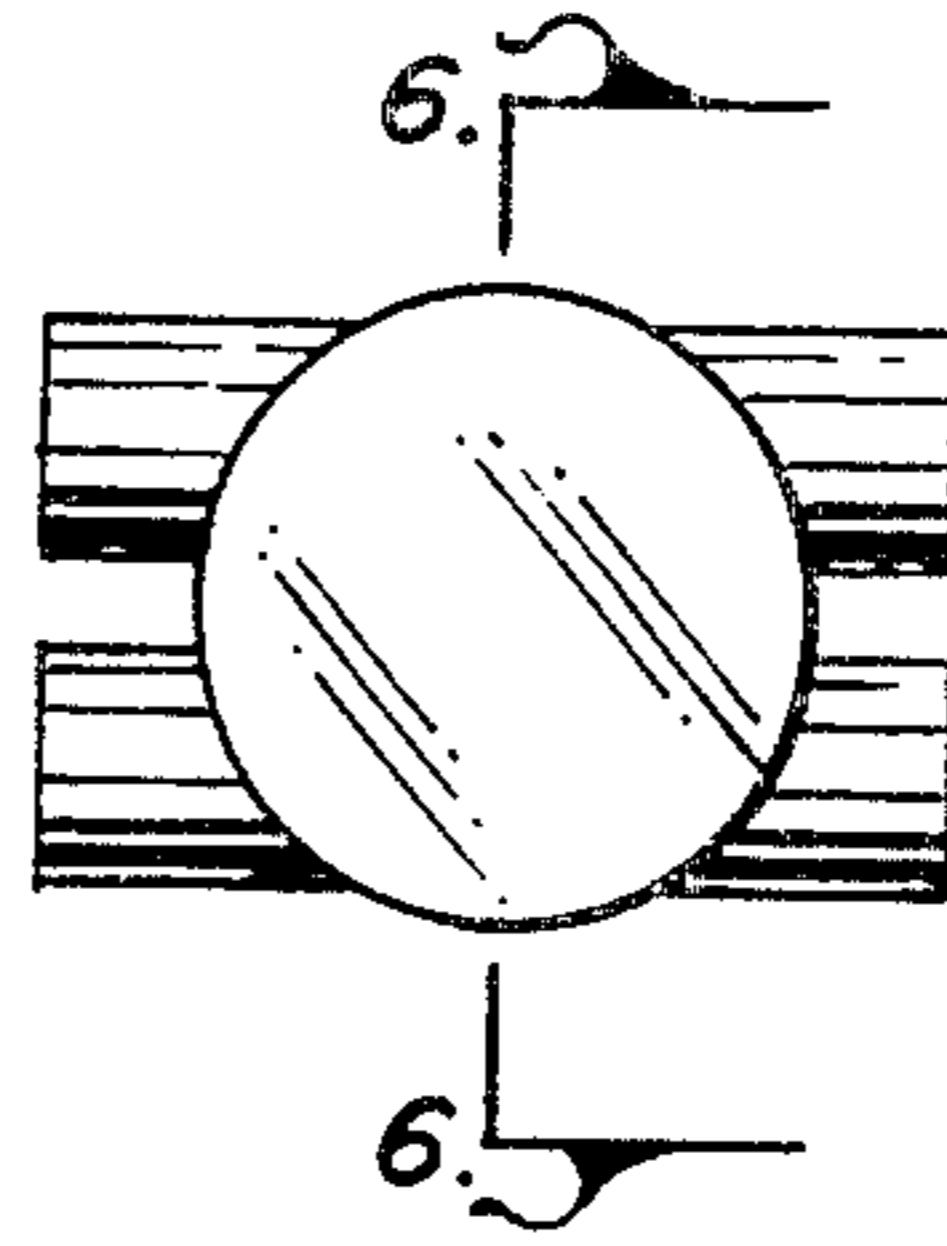


FIG. 5

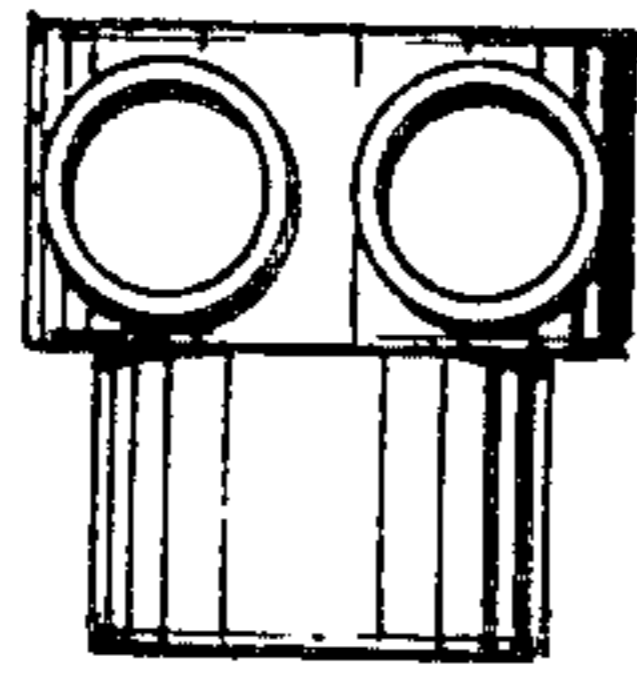


FIG. 2

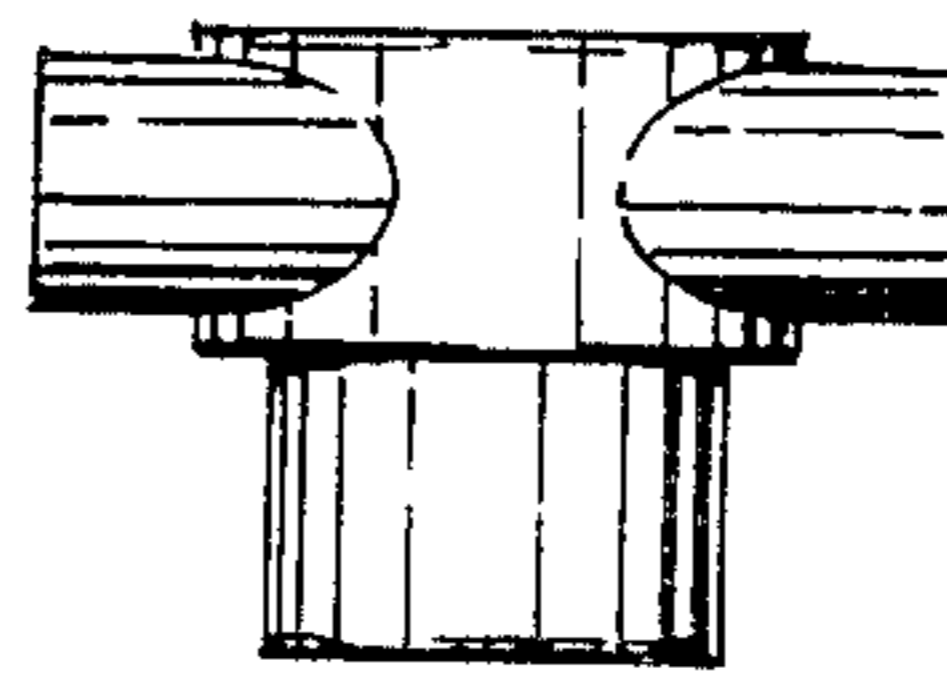


FIG. 3

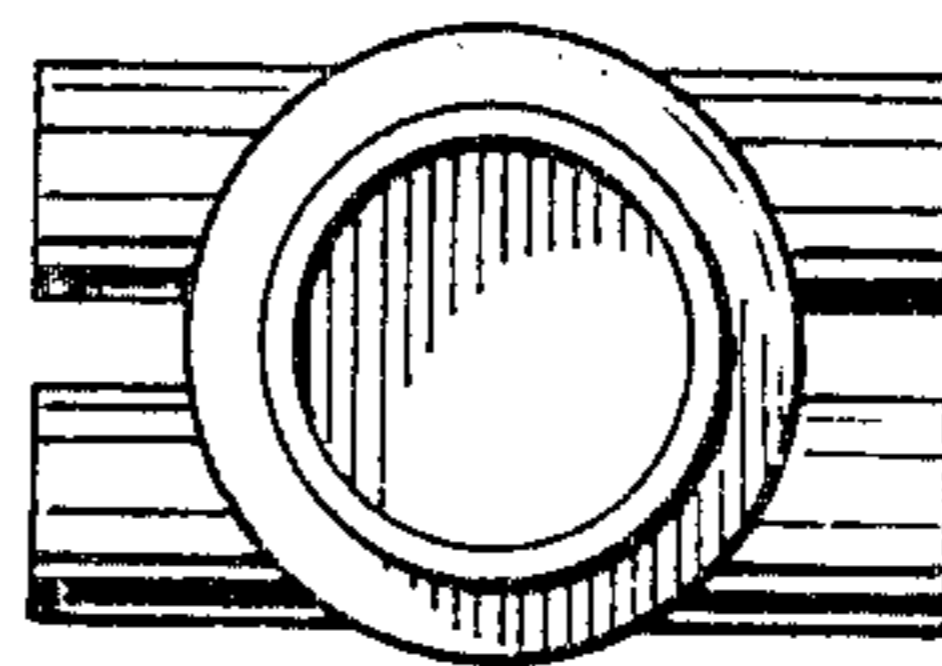


FIG. 4