

[54] ACETABULAR CUP
 [75] Inventor: John E. Hamm, Warsaw, Ind.
 [73] Assignee: Zimmer, Inc., Warsaw, Ind.
 [**] Term: 14 Years
 [21] Appl. No.: 373,947
 [22] Filed: May 3, 1982
 [52] U.S. Cl. D24/33
 [58] Field of Search D24/64, 33; 128/92 C,
 128/92 CA, 92 D, 92 G; 3/1.9, 1.912, 1.913

4,285,071 8/1981 Nelson et al. 3/1.912
 4,380,090 4/1983 Ramos 128/92 C

OTHER PUBLICATIONS

Biomet advertisement "ES-32"—The Natural Alternative for Total Hip Replacement—JBJS, Dec. 1981 #63-A.

Primary Examiner—A. Hugo Word
 Assistant Examiner—Ruth C. Anderson
 Attorney, Agent, or Firm—Margaret L. Geringer

[56] References Cited
 U.S. PATENT DOCUMENTS

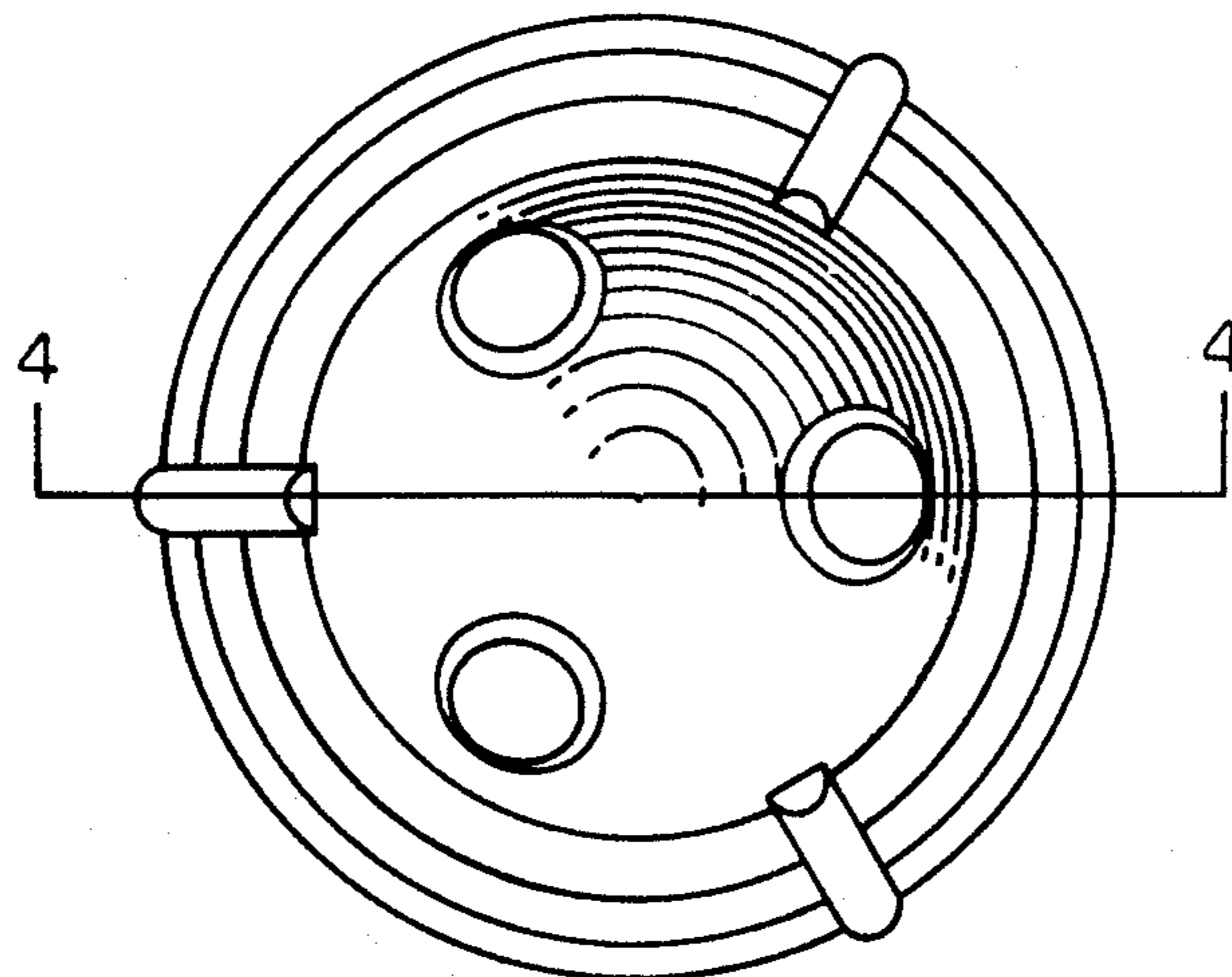
D. 230,429	2/1974	Davidson	D24/64
D. 232,004	7/1974	Amstutz	D24/64
D. 232,005	7/1974	Farling	D24/64
3,528,109	9/1970	Scales	3/1
3,584,318	6/1971	Scales et al.	128/92 C
3,722,002	3/1973	Charnley	3/1
3,882,550	5/1975	Karpf et al.	3/1
4,123,806	11/1978	Amstutz et al.	3/1.912
4,141,088	2/1979	Treace et al.	3/1.912
4,259,072	3/1981	Hirabayashi et al.	128/92 C

[57] CLAIM

The ornamental design for an acetabular cup, as shown and described.

DESCRIPTION

FIG. 1 is a top plan view of an acetabular cup showing my new design;
 FIG. 2 is a bottom plan view of the acetabular cup of FIG. 1;
 FIG. 3 is a side elevational view of the acetabular cup of FIG. 1;
 FIG. 4 is a sectional view of the acetabular cup taken along lines 4—4 of FIG. 1.



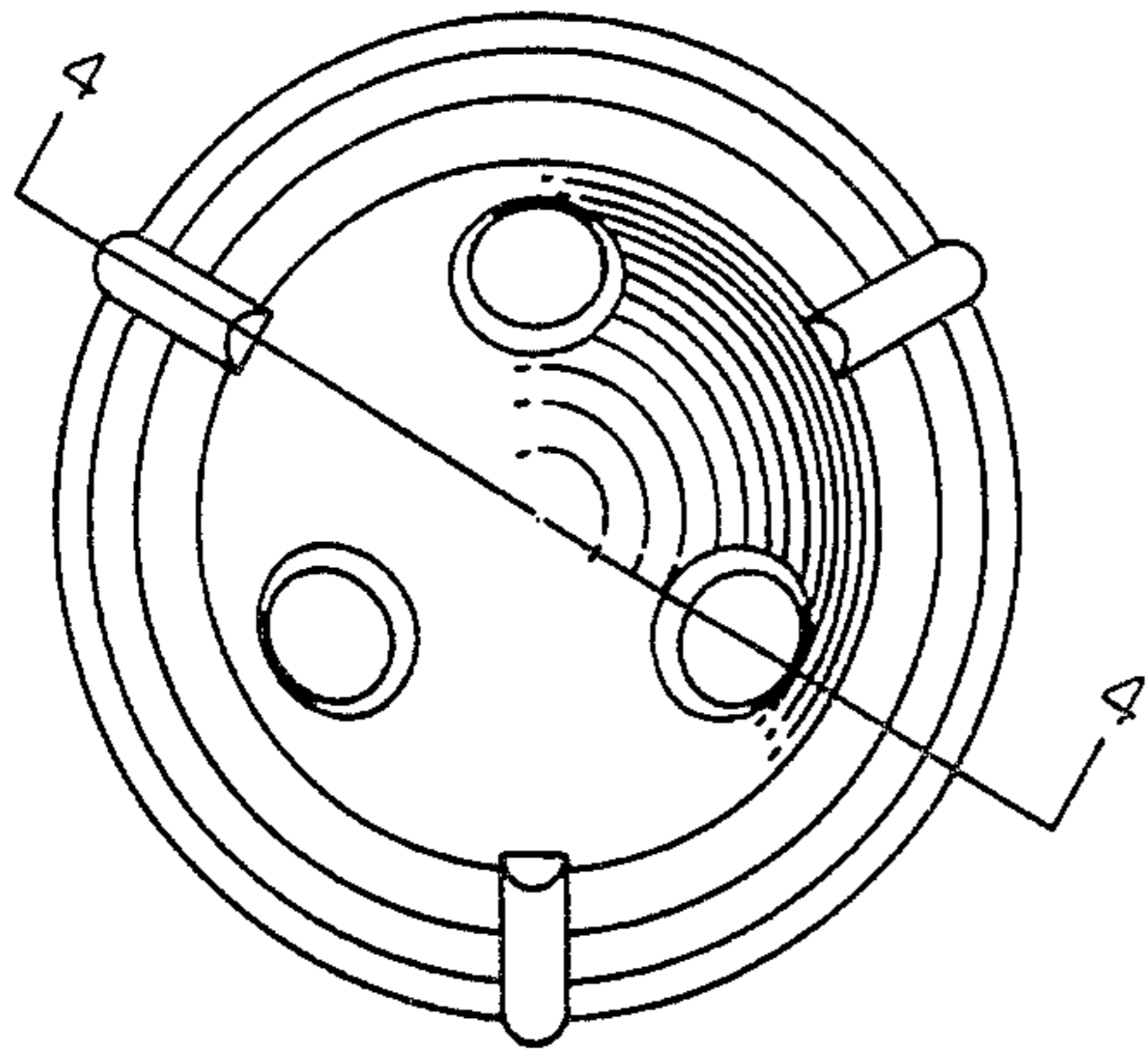


FIG. 1

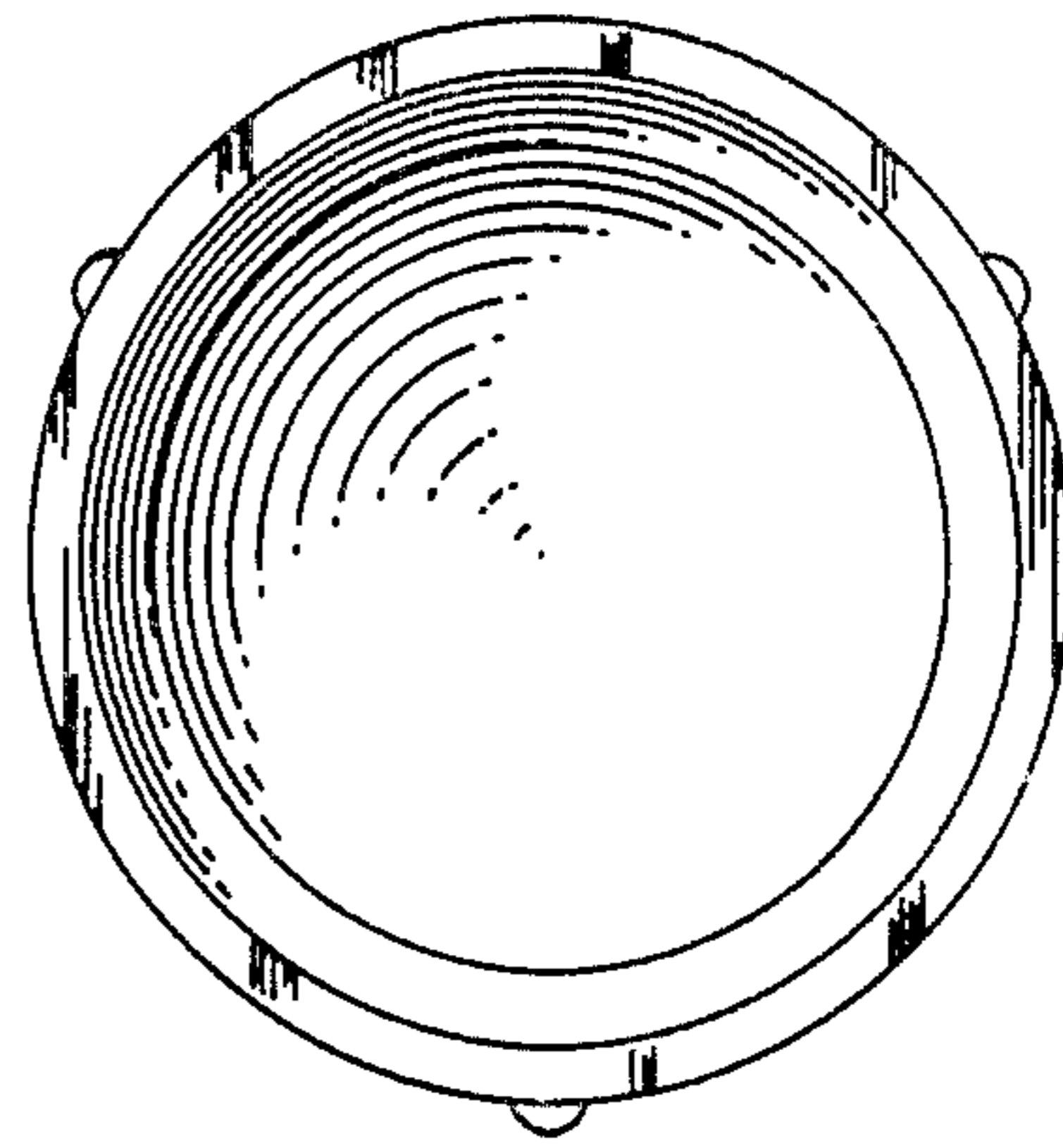


FIG. 2

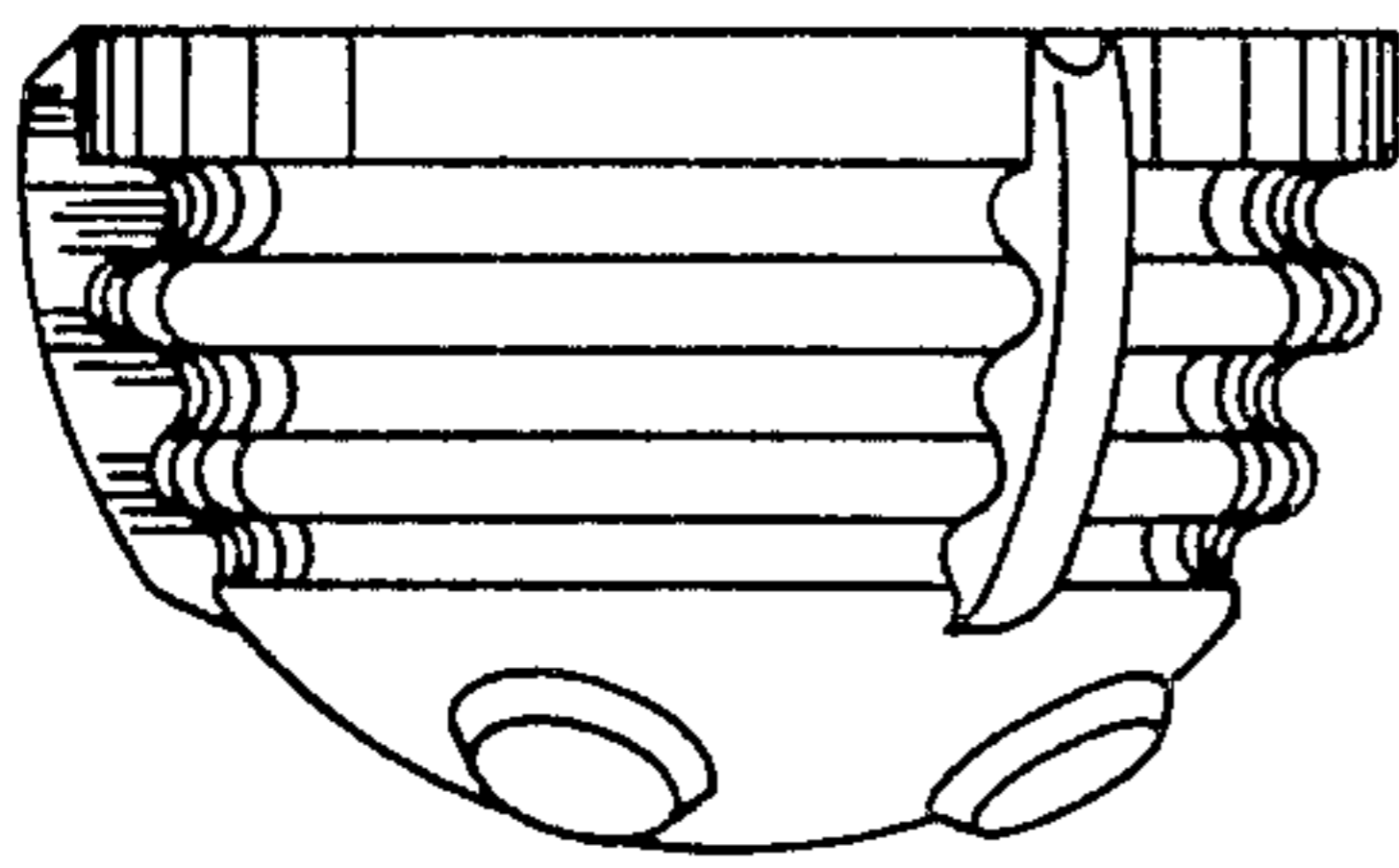


FIG. 3

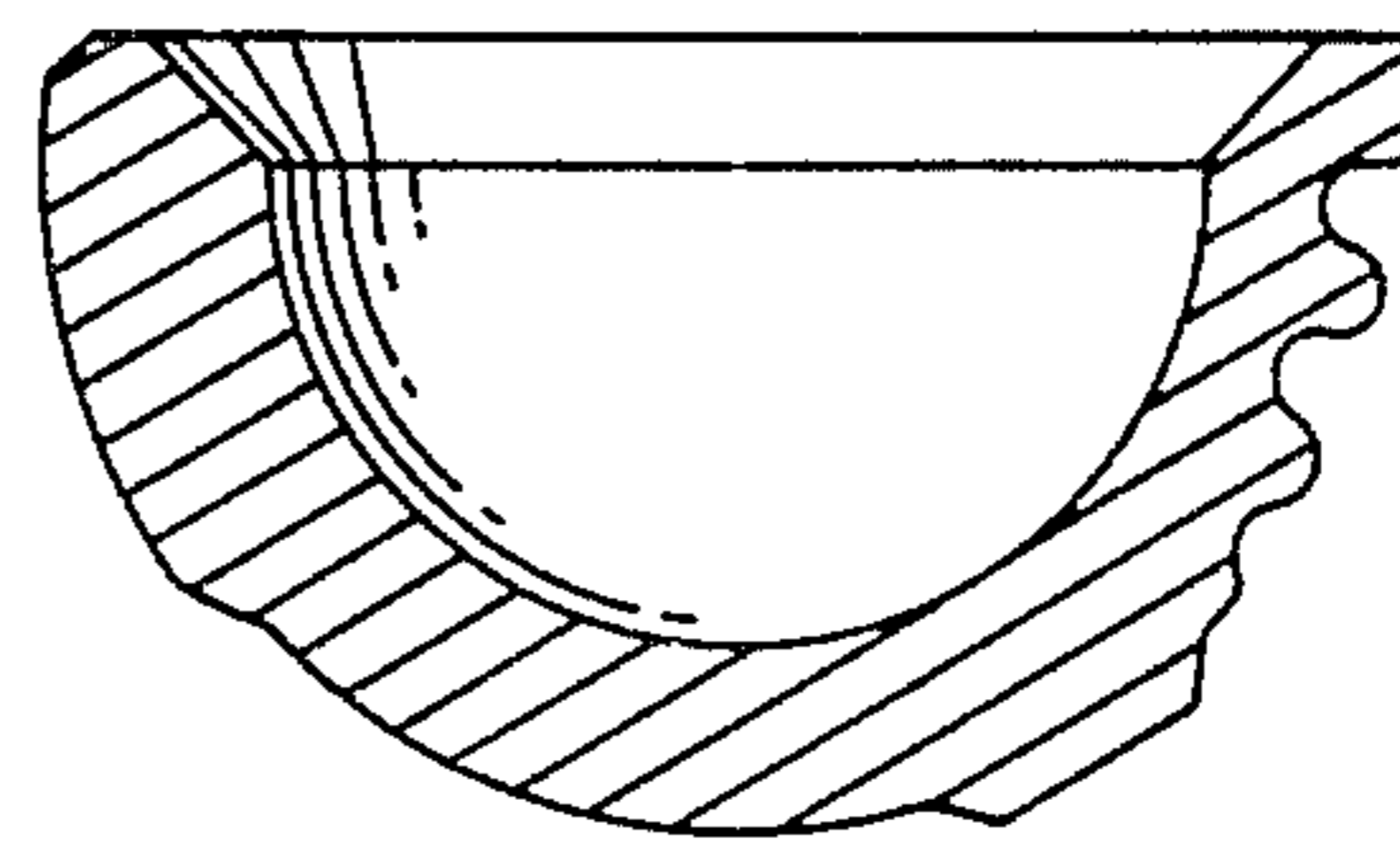


FIG. 4