

[54] BENT LEG SERREFINE

[75] Inventors: Dennis R. Scanlan, Jr., Boca Raton, Fla.; Robert A. Arp, Eden Prairie, Minn.

[73] Assignee: Scanlan International, St. Paul, Minn.

[\*] Notice: The portion of the term of this patent subsequent to Apr. 5, 1997 has been disclaimed.

[\*\*] Term: 14 Years

[21] Appl. No.: 308,442

[22] Filed: Oct. 5, 1981

[52] U.S. Cl. .... D24/27; D8/72

[58] Field of Search ..... 128/326, 346, 325, 321; D8/72; D24/27, 8; 24/255 SL, 255 R, 237

[56] References Cited

U.S. PATENT DOCUMENTS

- D. 268,523 4/1983 Scanlan, Jr. .... D27/27
- 4,212,303 7/1980 Nolan ..... 128/346
- 4,223,673 9/1980 Harris ..... 128/346 X
- 4,227,730 10/1980 Alexander et al. .... 128/346 X

- 4,337,774 7/1982 Perlin ..... 128/346 X
- 4,390,019 6/1983 LeVeen ..... 128/346 X

Primary Examiner—Bernard Ansher  
Attorney, Agent, or Firm—Frederick A. Fleming

[57] CLAIM

The ornamental design for a bent leg serrefine, as shown and described.

DESCRIPTION

FIG. 1 is a plan view of the serrefine in the uncrossed form, showing my new design;

FIG. 2 is a side elevation view thereof;

FIG. 3 is an end elevational view of the bow end thereof;

FIG. 4 is an end elevational view of the opposite end thereof;

FIG. 5 is a plan view of the serrefine in the crossed form;

FIG. 6 is a side elevational view of the crossed form thereof;

FIG. 7 is an end elevational view of the bow end of the crossed form thereof;

FIG. 8 is an end elevational view of the opposite end of the crossed form thereof.

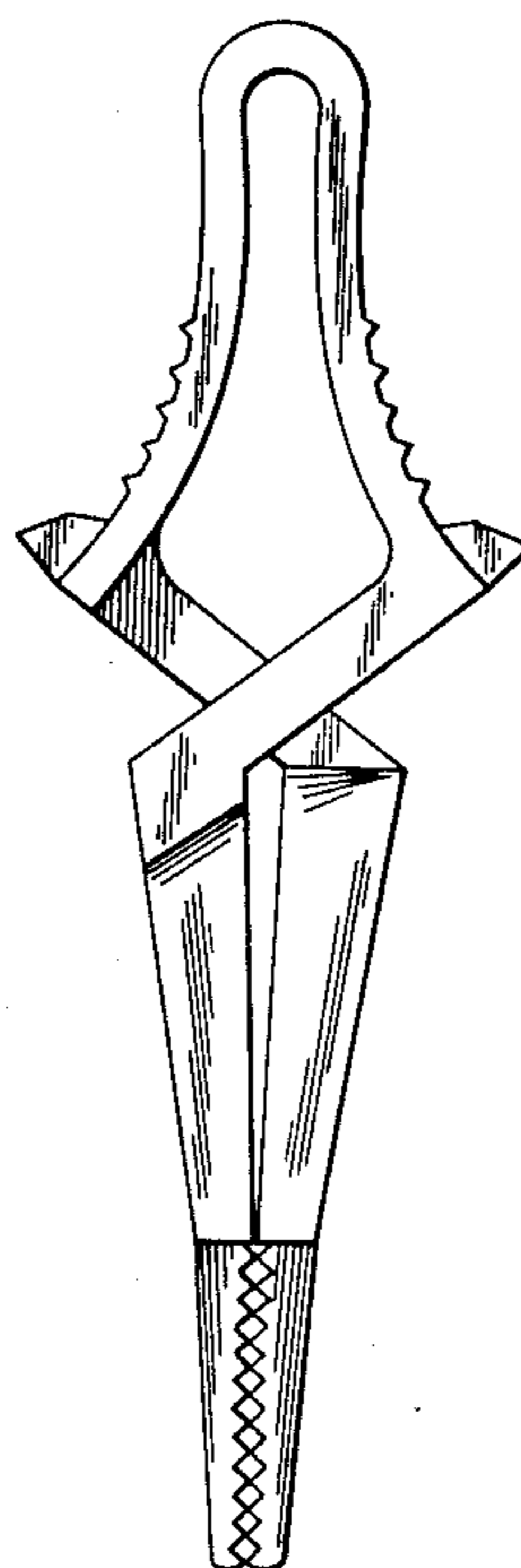
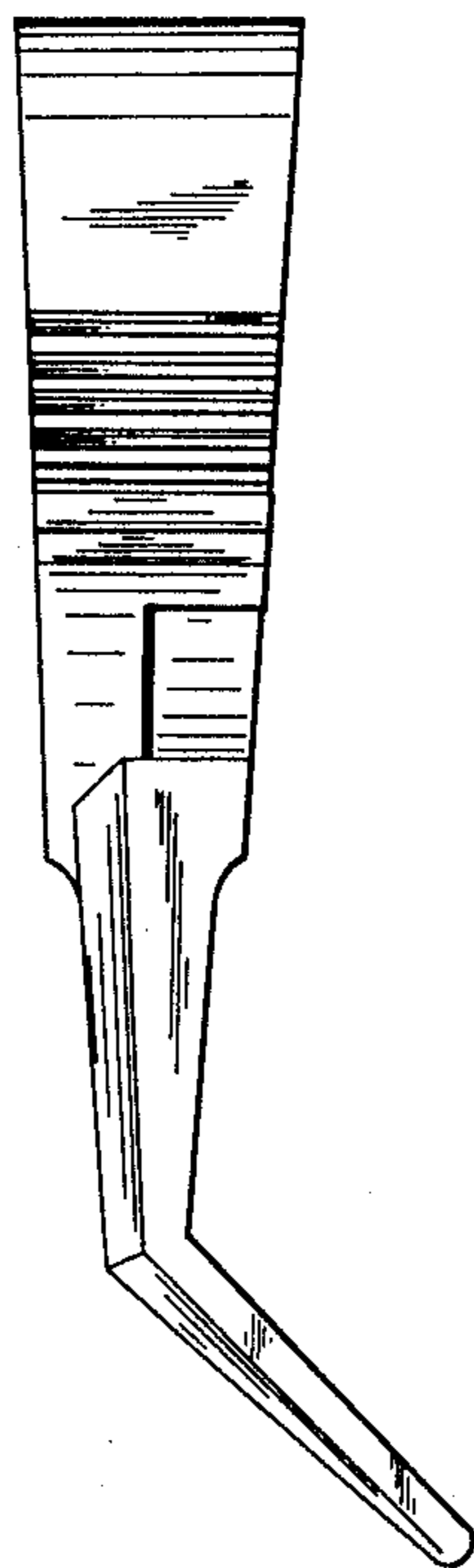


FIG. 3

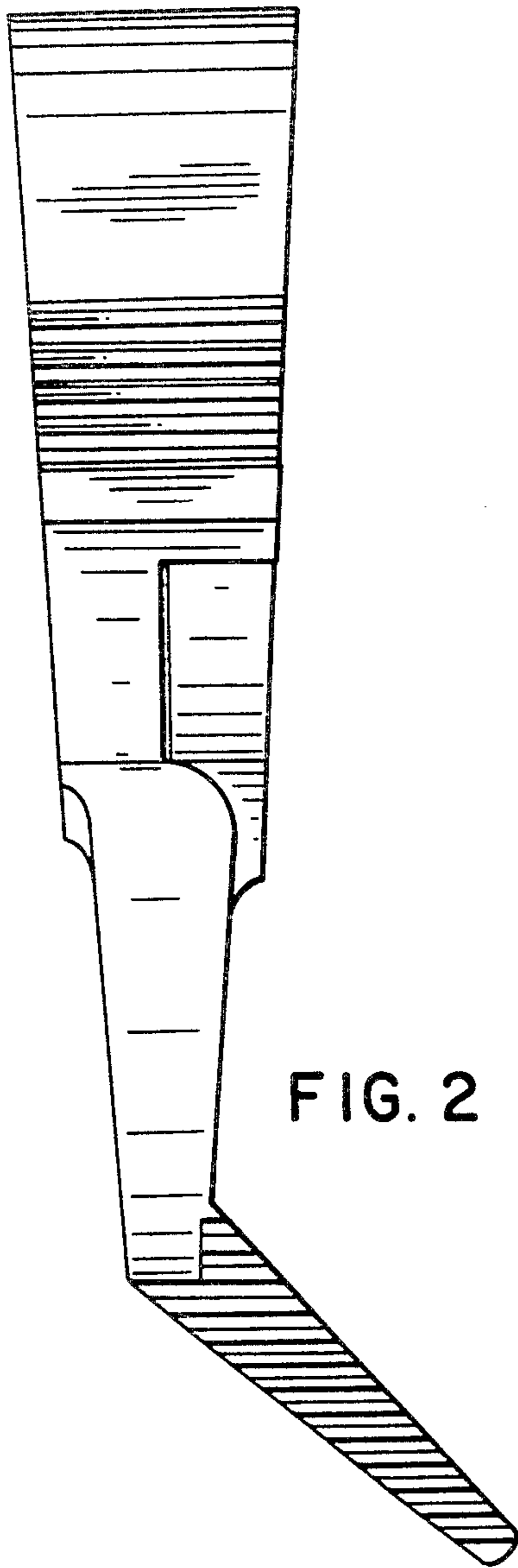
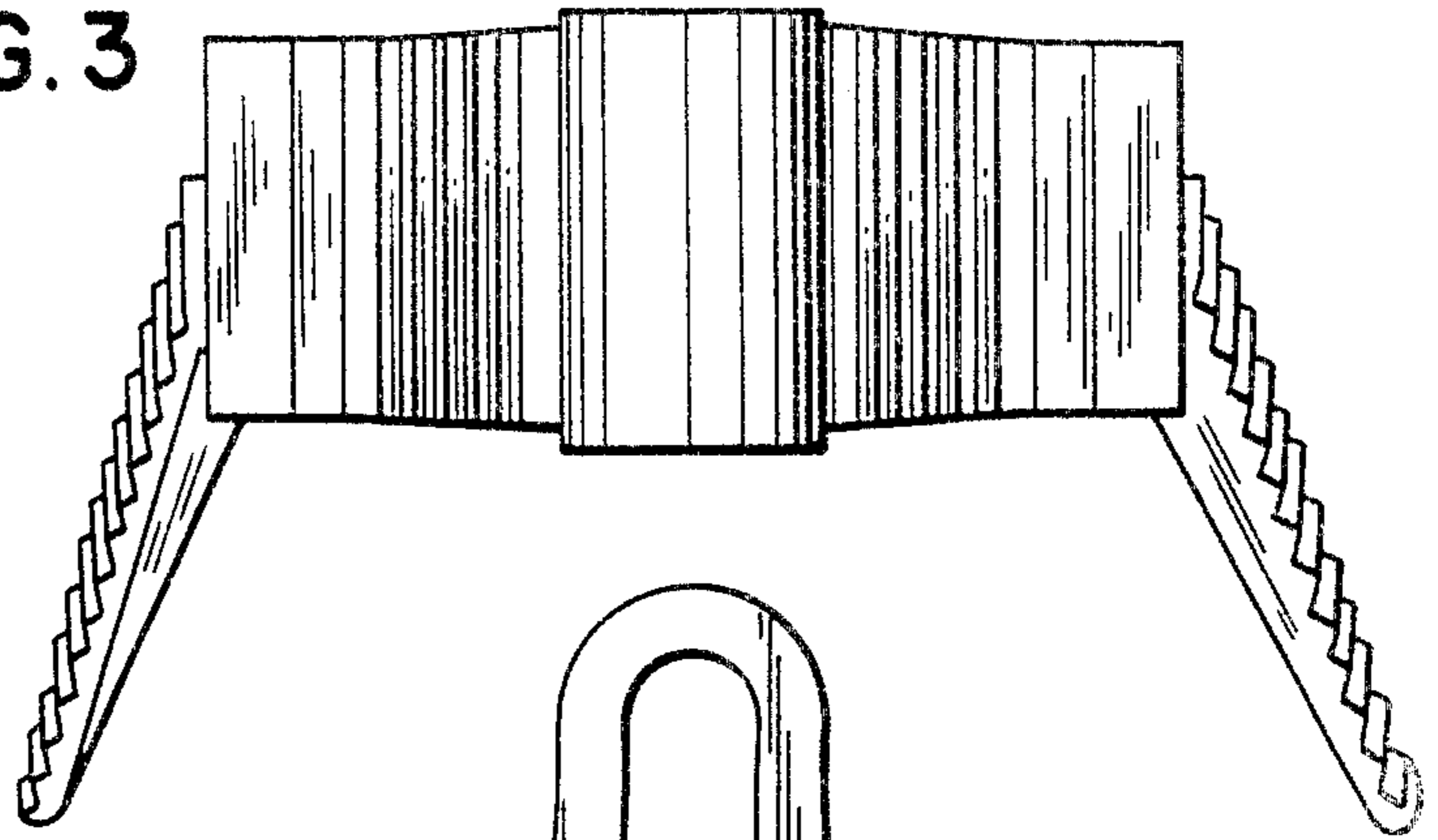


FIG. 2

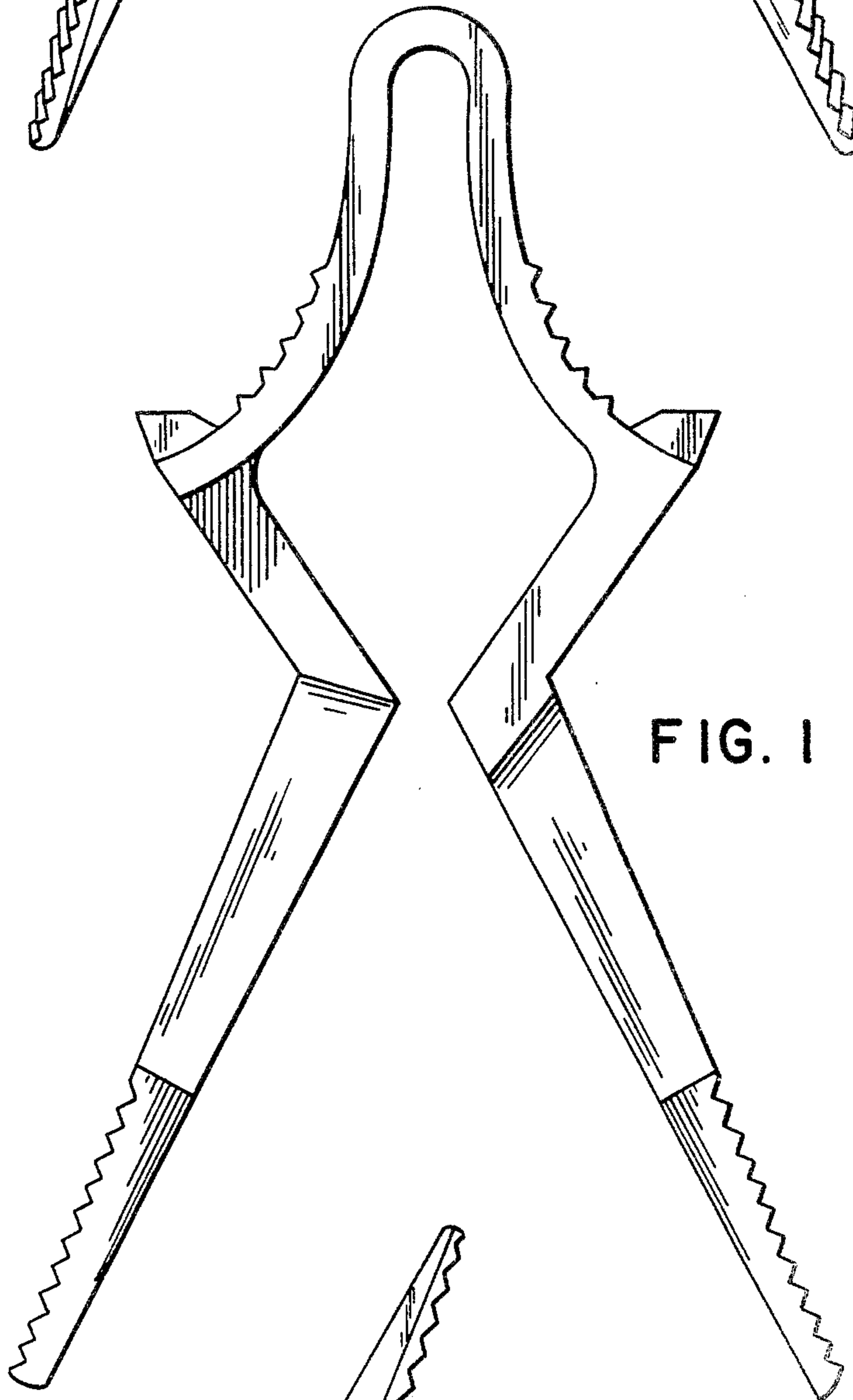


FIG. 1

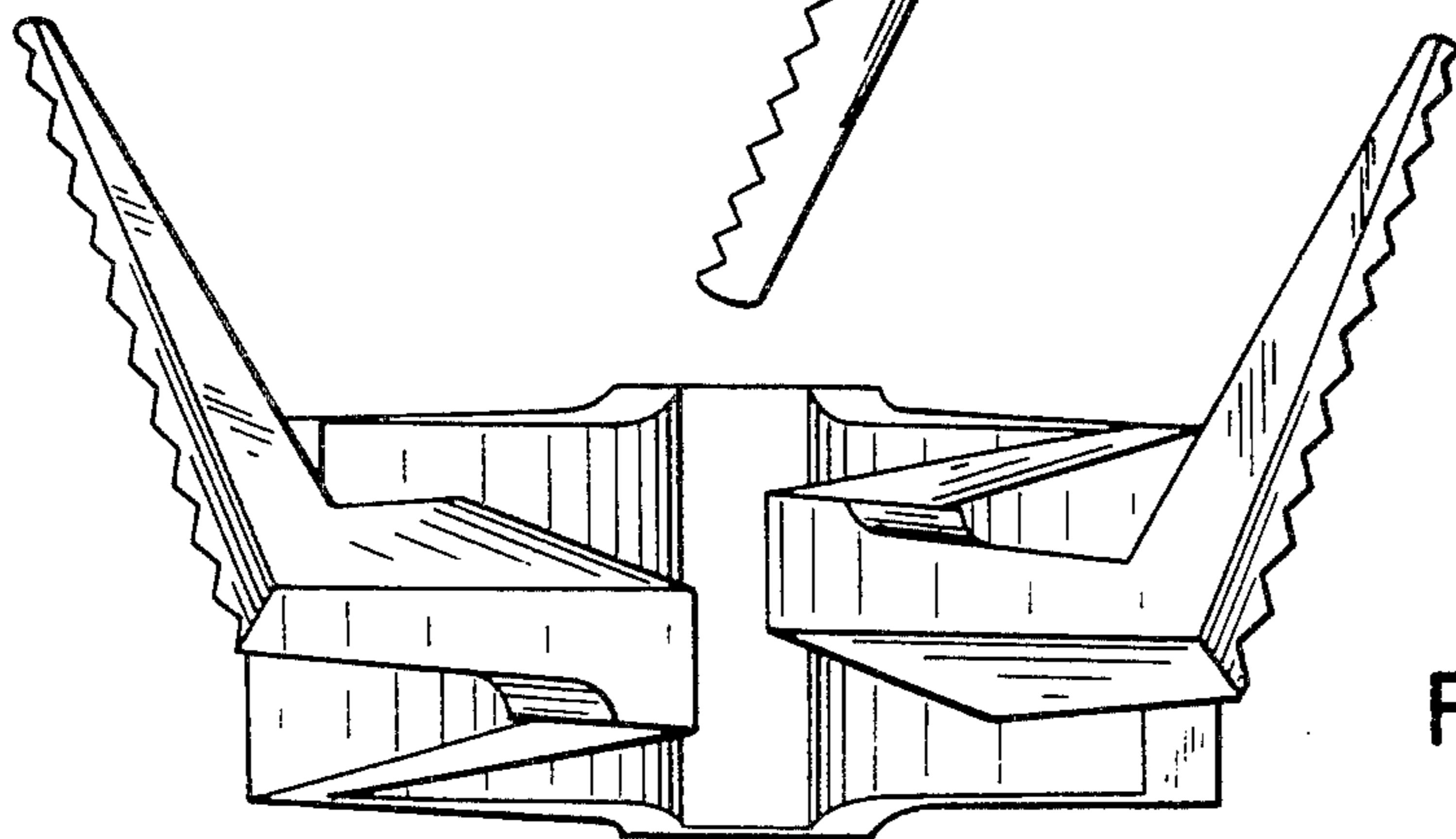


FIG. 4

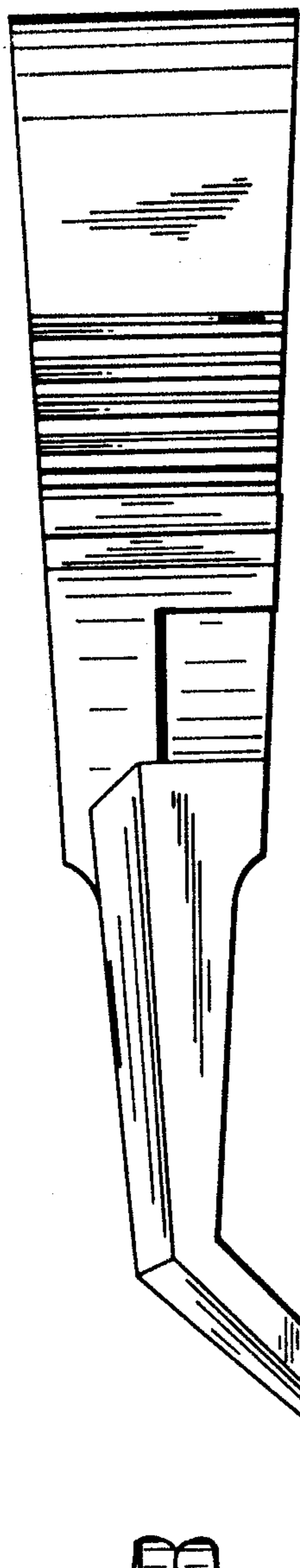


FIG. 7

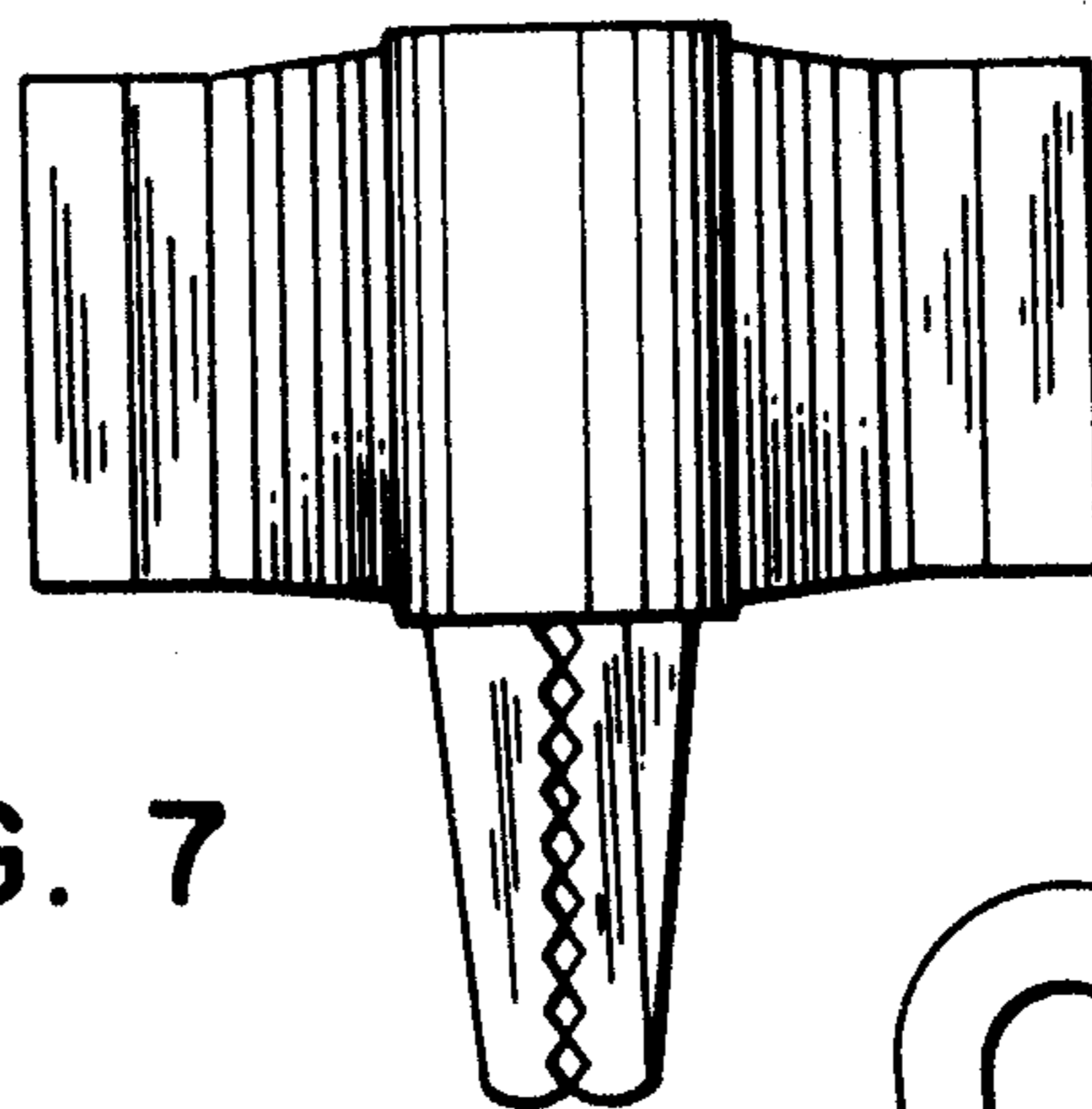


FIG. 6

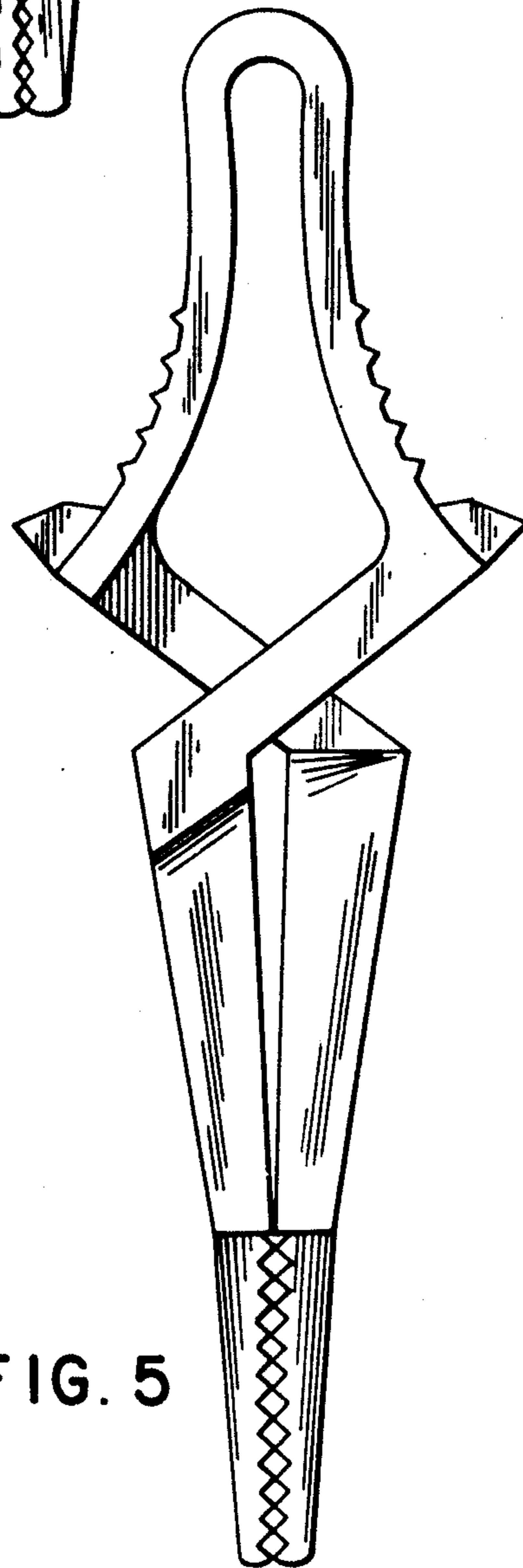


FIG. 5

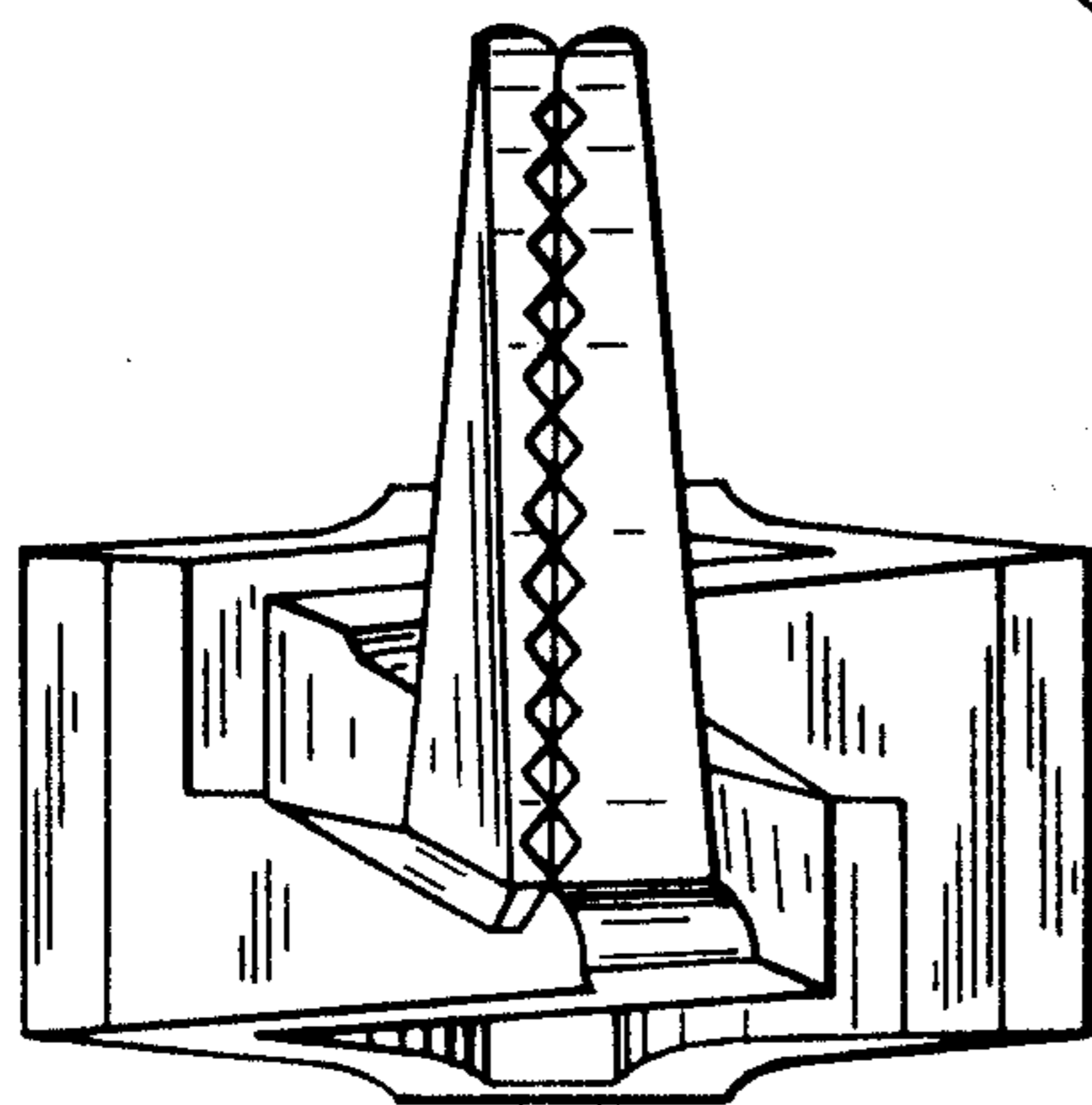


FIG. 8