

[54] SPRINKLER HEAD

[75] Inventor: William A. DeVroom, Glendora, Calif.

[73] Assignee: Rain Bird Consumer Products Corp., Duarte, Calif.

[\*\*] Term: 14 Years

[21] Appl. No.: 374,638

[22] Filed: May 3, 1982

[52] U.S. Cl. .... D23/6; D23/34

[58] Field of Search ..... D23/6-10, D23/34, 35; 239/200-206, 524, 456

[56] References Cited

U.S. PATENT DOCUMENTS

- D. 25,916 8/1896 Woods ..... D23/34
- D. 218,824 9/1970 Lawrence, Sr. .... D23/34
- D. 235,261 6/1975 Wichman et al. .... D23/34

- D. 239,773 5/1976 Wichman et al. .... D23/34 X
- 1,203,542 10/1916 Hawley ..... 239/456
- 4,351,477 9/1982 Choi .

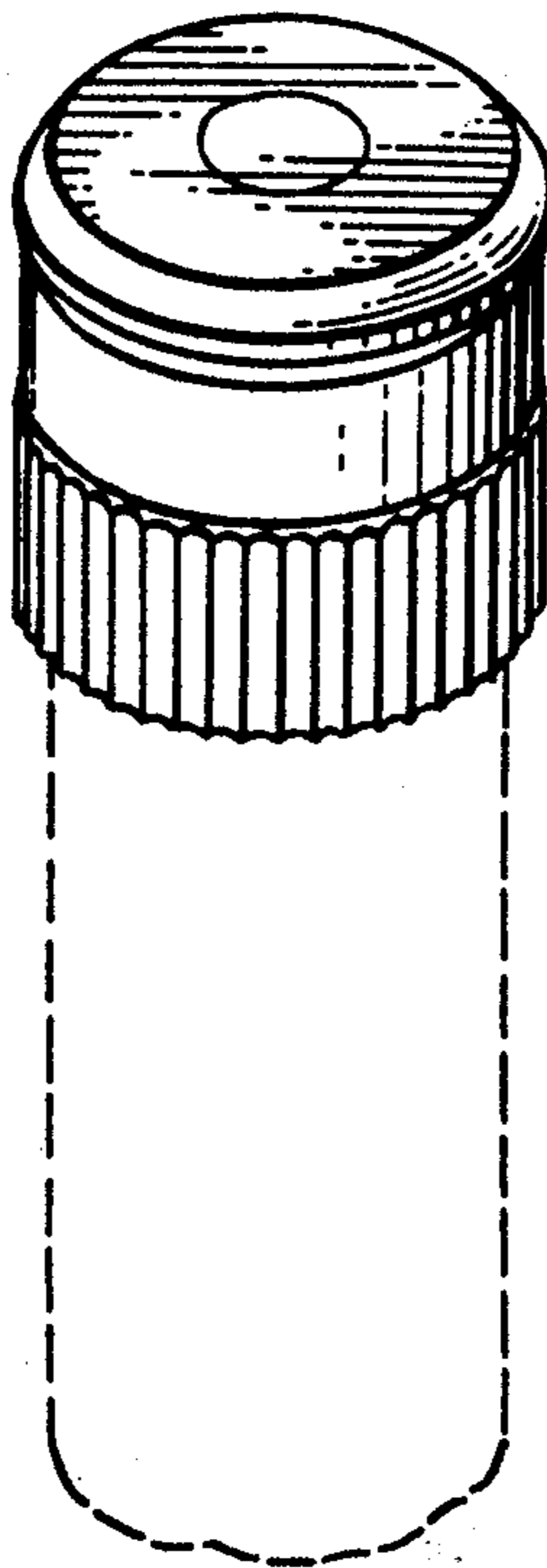
Primary Examiner—James R. Largen  
Attorney, Agent, or Firm—Fulwider, Patton, Rieber, Lee & Utecht

[57] CLAIM

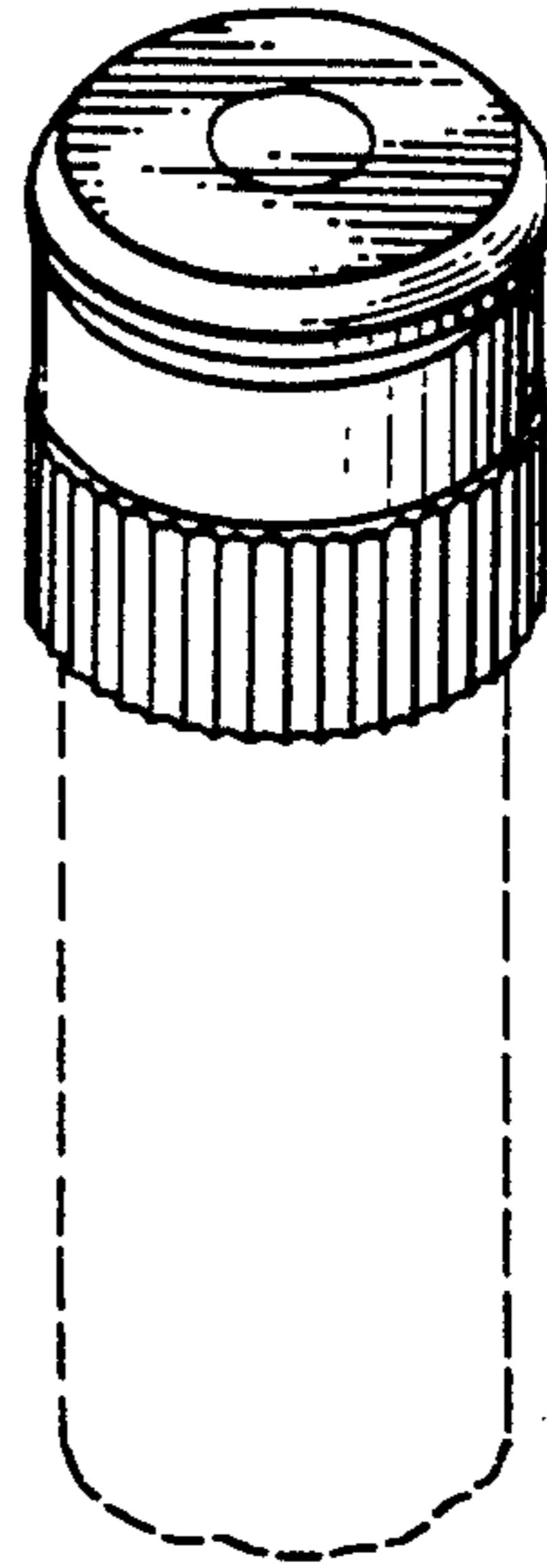
The ornamental design for a sprinkler head, substantially as shown and described.

DESCRIPTION

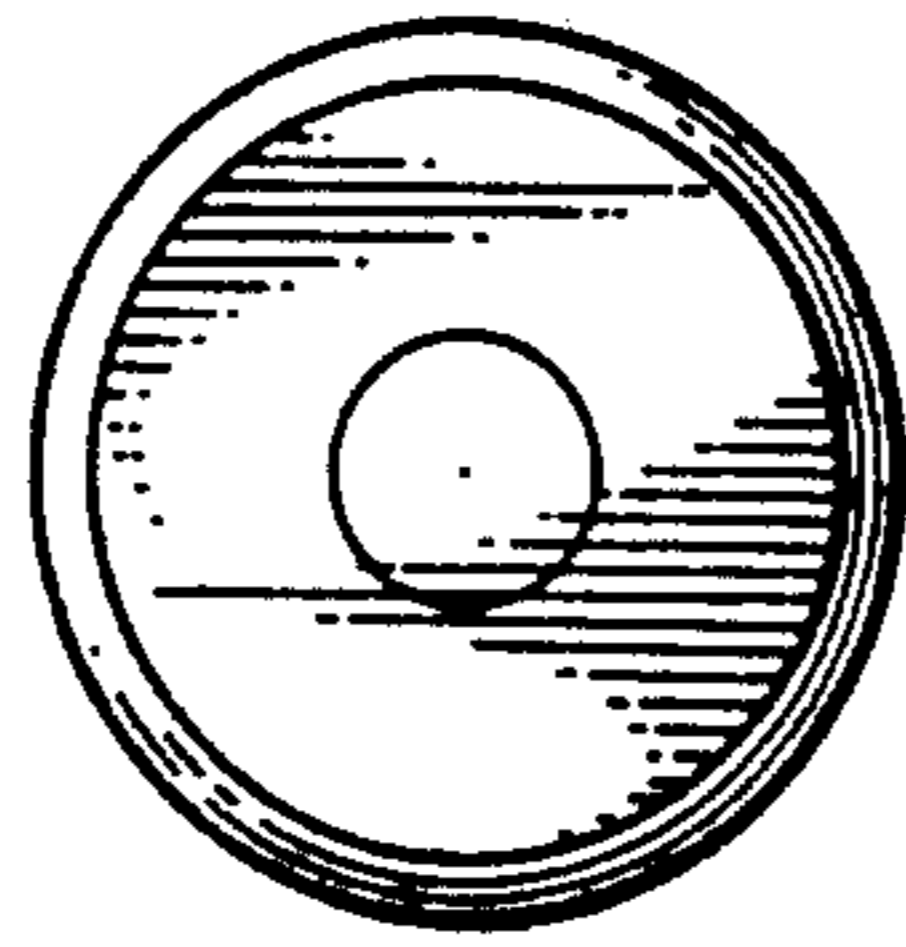
FIG. 1 is a perspective view of a sprinkler nozzle embodying the new design;  
FIG. 2 is a top plan view thereof;  
FIG. 3 is a bottom plan view thereof; and  
FIG. 4 is a side elevational view thereof, the other sides being the same side as the side shown.  
The fragmentary broken-line showing of a water supply riser pipe in FIG. 1 is for purposes of illustration only and forms no part of the claimed design.



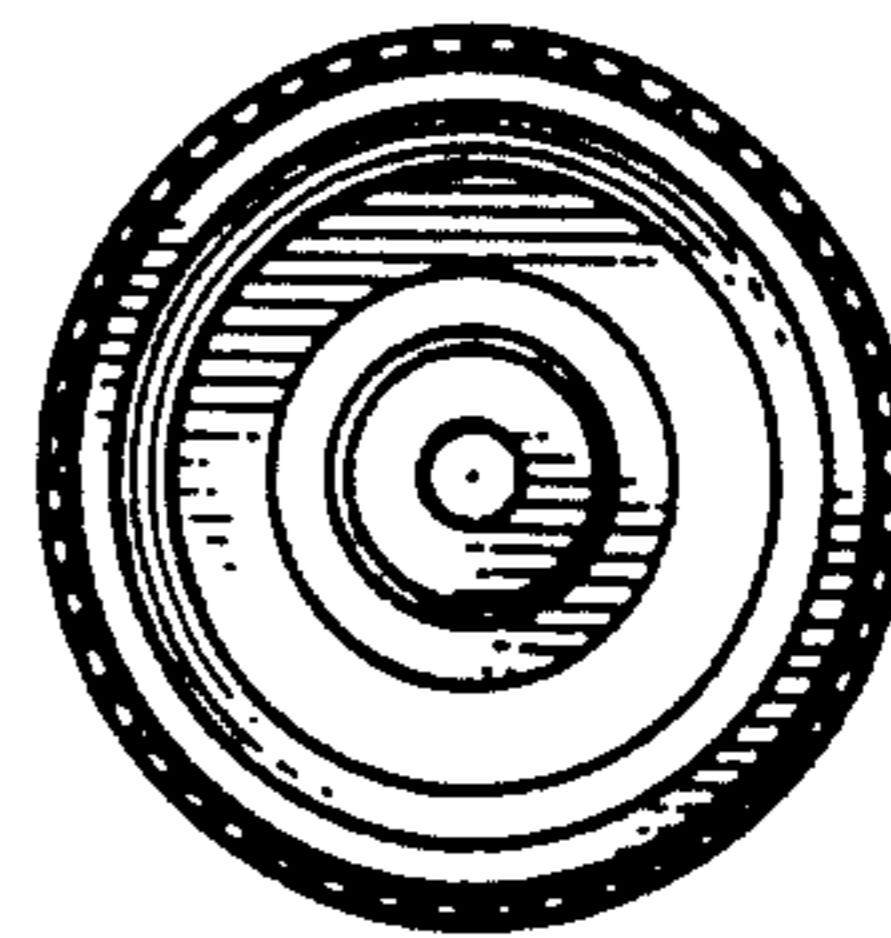
*Fig. 1*



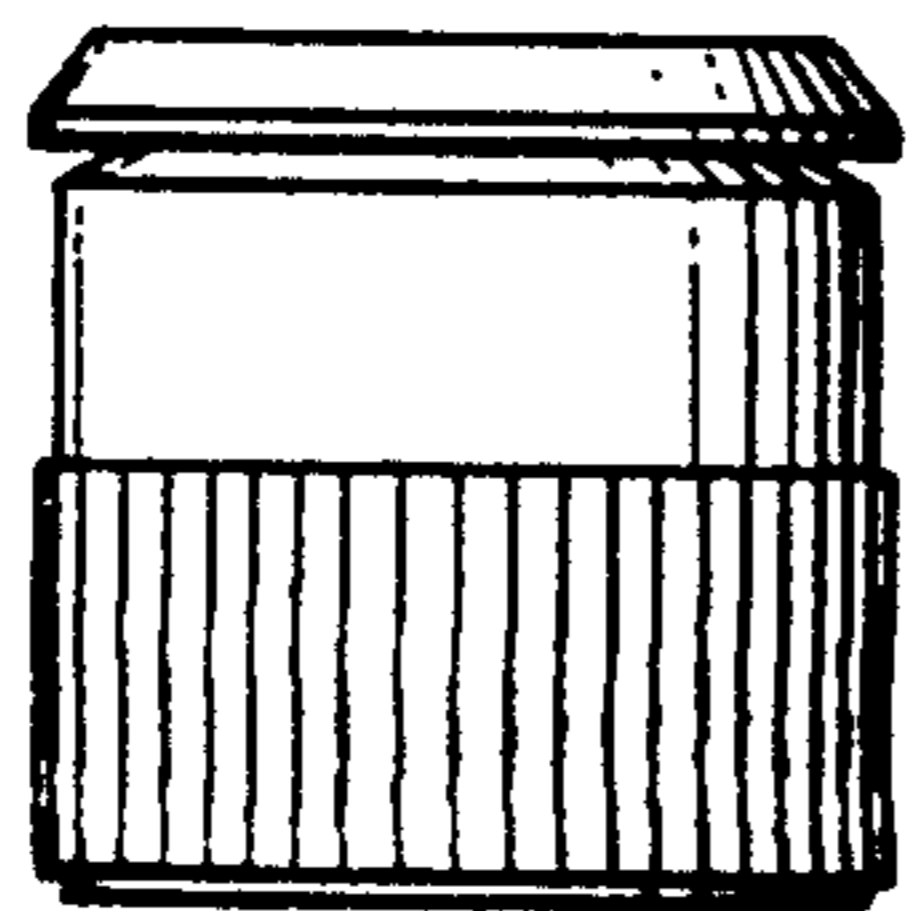
*Fig. 2*



*Fig. 3*



*Fig. 4*



UNITED STATES PATENT AND TRADEMARK OFFICE  
**CERTIFICATE OF CORRECTION**

PATENT NO. : D276,453  
DATED : November 20, 1984  
INVENTOR(S) : William A. DeVroom

It is certified that error appears in the above-identified patent and that said Letters Patent is hereby corrected as shown below:

On the title page, after Item 547  
delete "SPRINKLER HEAD" and insert therefor --SPRINKLER  
NOZZLE--.

In line 1 of the claim, delete "head" and  
insert therefor --nozzle--.

**Signed and Sealed this**

*Sixth Day of August 1985*

[SEAL]

*Attest:*

DONALD J. QUIGG

*Attesting Officer*

*Acting Commissioner of Patents and Trademarks*