

[54] PUTTER HEAD

[76] Inventor: Theodore L. Doman, 32863 Myrna, Livonia, Mich. 48154

[**] Term: 14 Years

[21] Appl. No.: 387,980

[22] Filed: Jun. 14, 1982

[52] U.S. Cl. D21/218

[58] Field of Search D21/214-220, D21/210; 273/167-175, 77 R, 83, 163; D8/77

[56] References Cited

U.S. PATENT DOCUMENTS

- D. 161,034 11/1950 Marthinsen D8/77
- D. 264,367 5/1982 Gida D21/218
- 2,755,833 7/1956 Quayle 273/83
- 3,017,186 1/1962 Ascardi D21/210

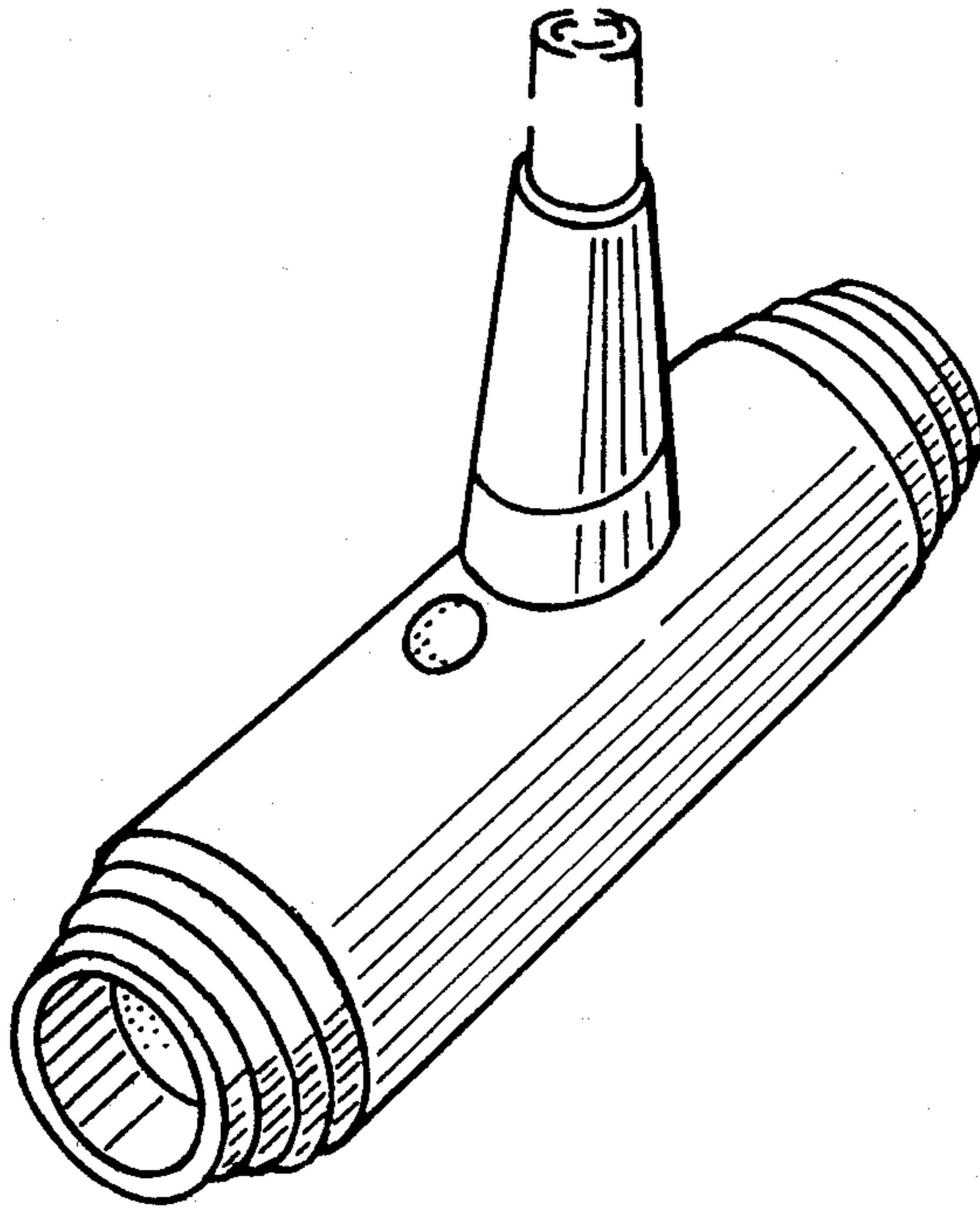
Primary Examiner—Melvin B. Feifer
Attorney, Agent, or Firm—Charles W. Chandler

[57] CLAIM

The ornamental design for a putter head, as shown and described.

DESCRIPTION

FIG. 1 is a plan view of a putter head illustrating my new design;
 FIG. 2 is a side view thereof, the opposite side being a mirror image thereof;
 FIG. 3 is a view as seen from the left end of FIG. 2, the opposite side being essentially a mirror image thereof;
 FIG. 4 is a bottom view thereof; and
 FIG. 5 is a perspective view thereof.
 The broken line showing of a shaft segment is for illustrative purposes only.



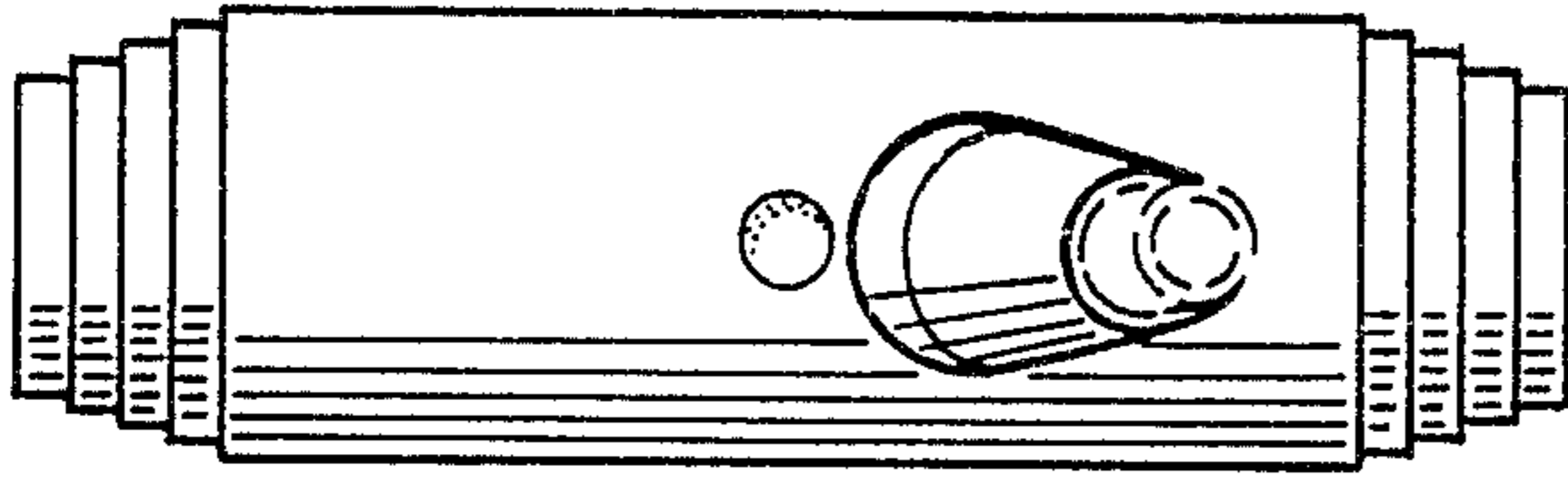


FIG. 1

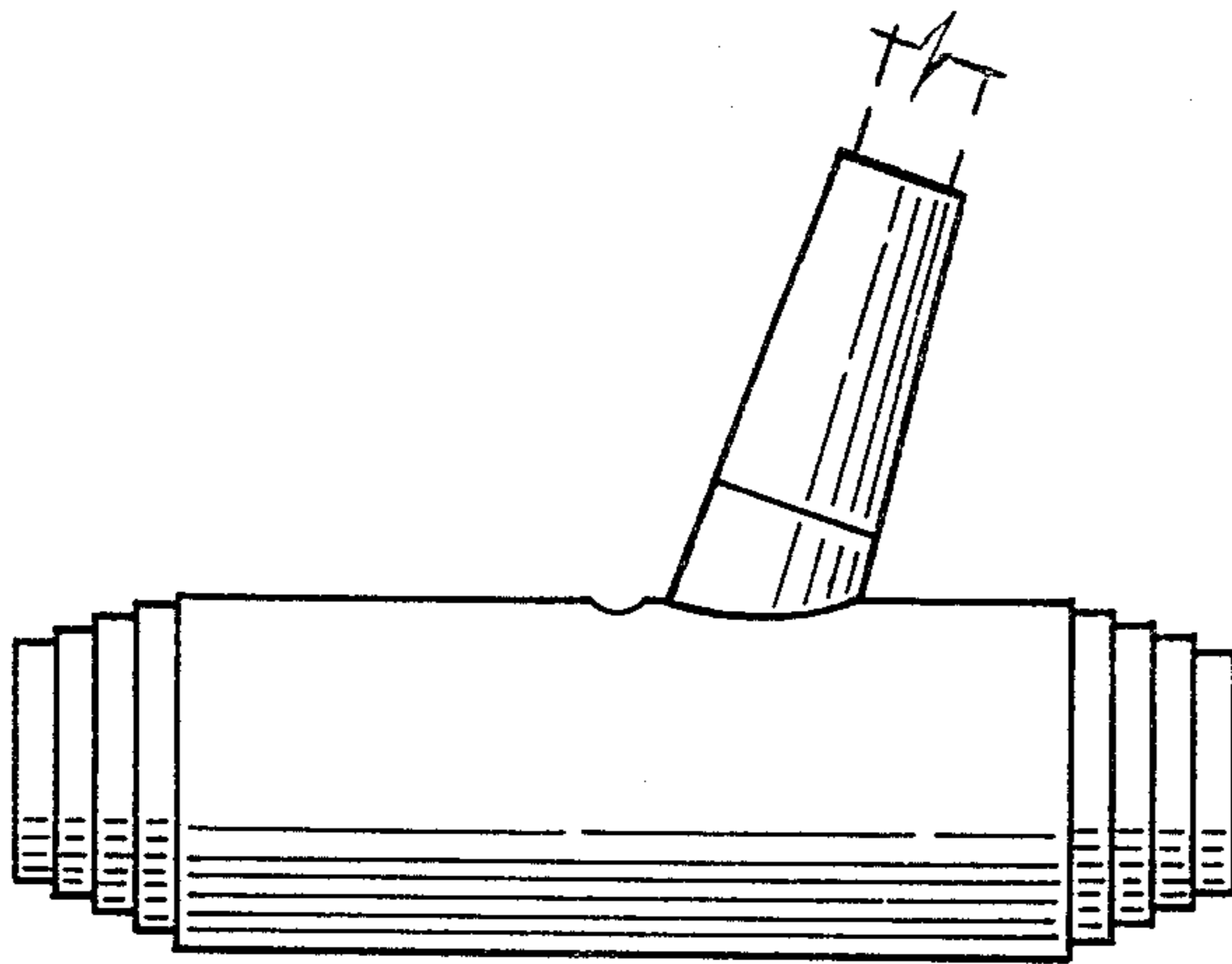


FIG. 2

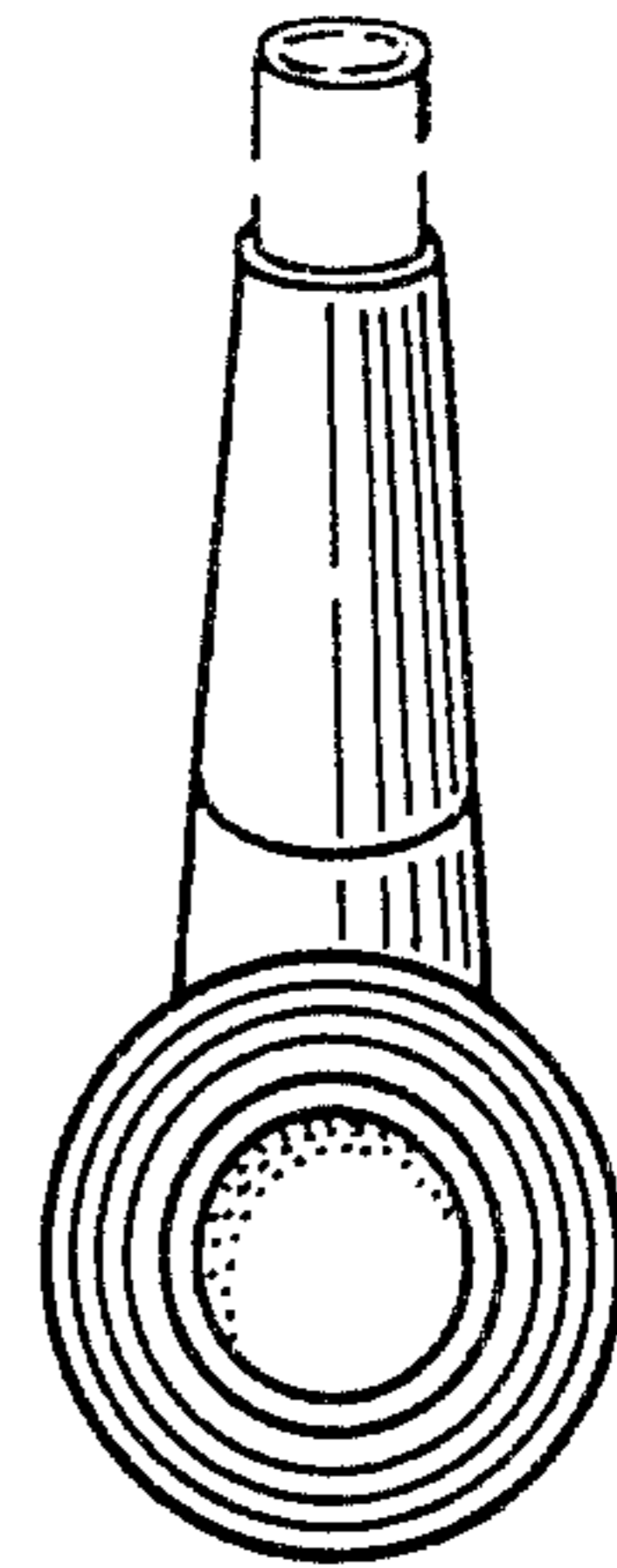


FIG. 3

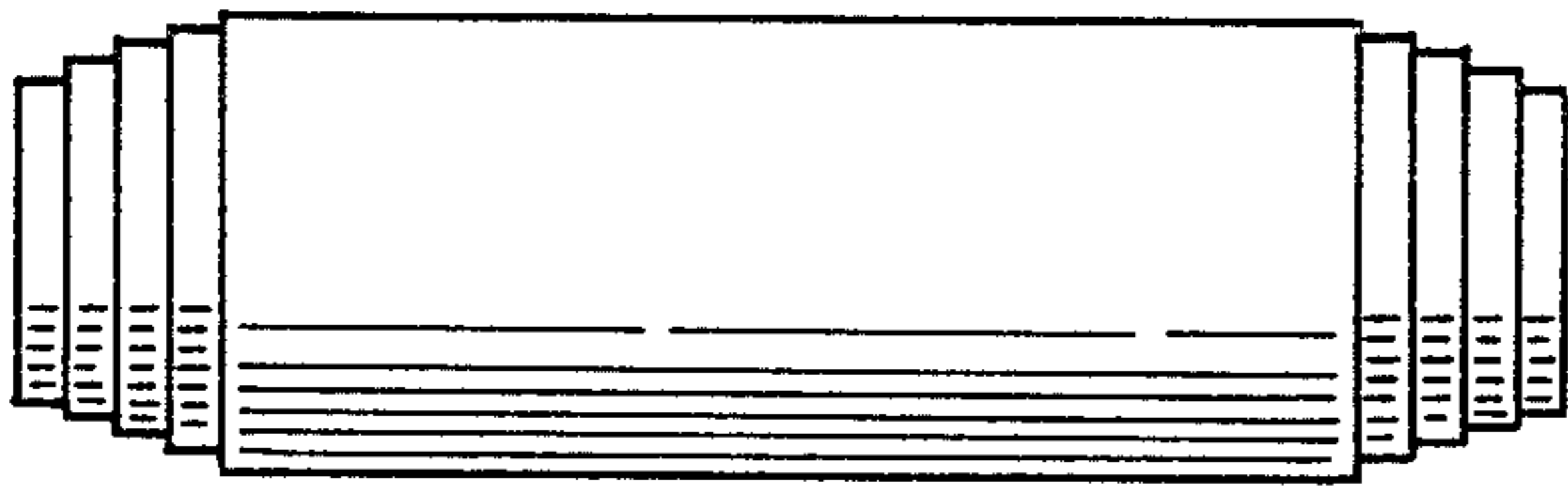


FIG. 4

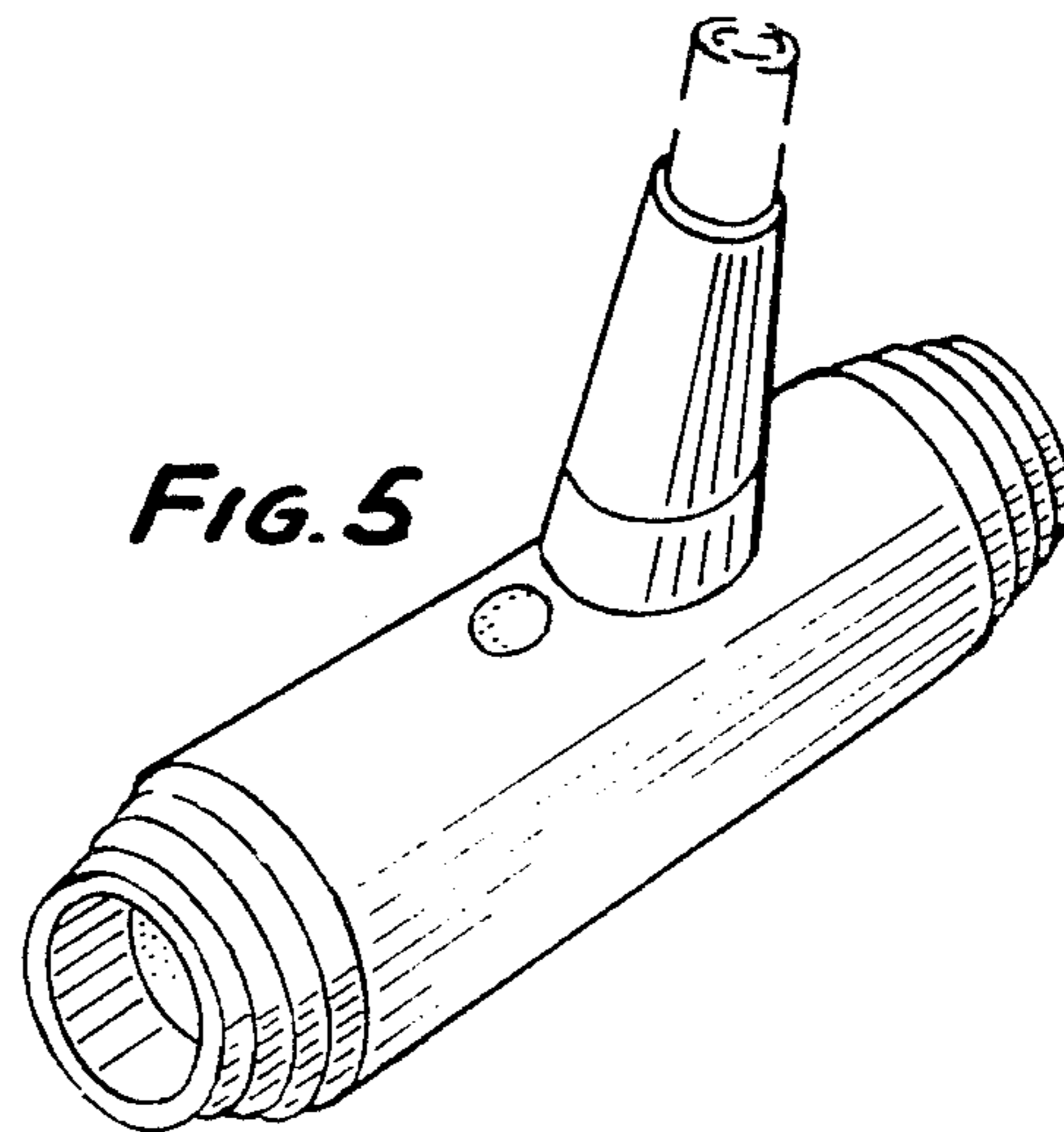


FIG. 5