

[54] **DESK ORGANIZER TRAY**

[75] **Inventor: David Battle, Yellow Springs, Ohio**

[73] **Assignee: Visual Information Institute, Inc., Xenia, Ohio**

[**] **Term: 14 Years**

[21] **Appl. No.: 374,049**

[22] **Filed: May 3, 1982**

[52] **U.S. Cl. D19/75; D19/92**

[58] **Field of Search D19/22, 75, 78, 86, D19/92; 211/126; 206/449; D7/37**

[56] **References Cited**

U.S. PATENT DOCUMENTS

- D. 139,823 12/1944 Jones D19/92
- D. 250,653 12/1978 Tiedemann D19/85
- D. 264,352 5/1982 Goutchat D19/92

D. 267,387 12/1982 Koch D19/92

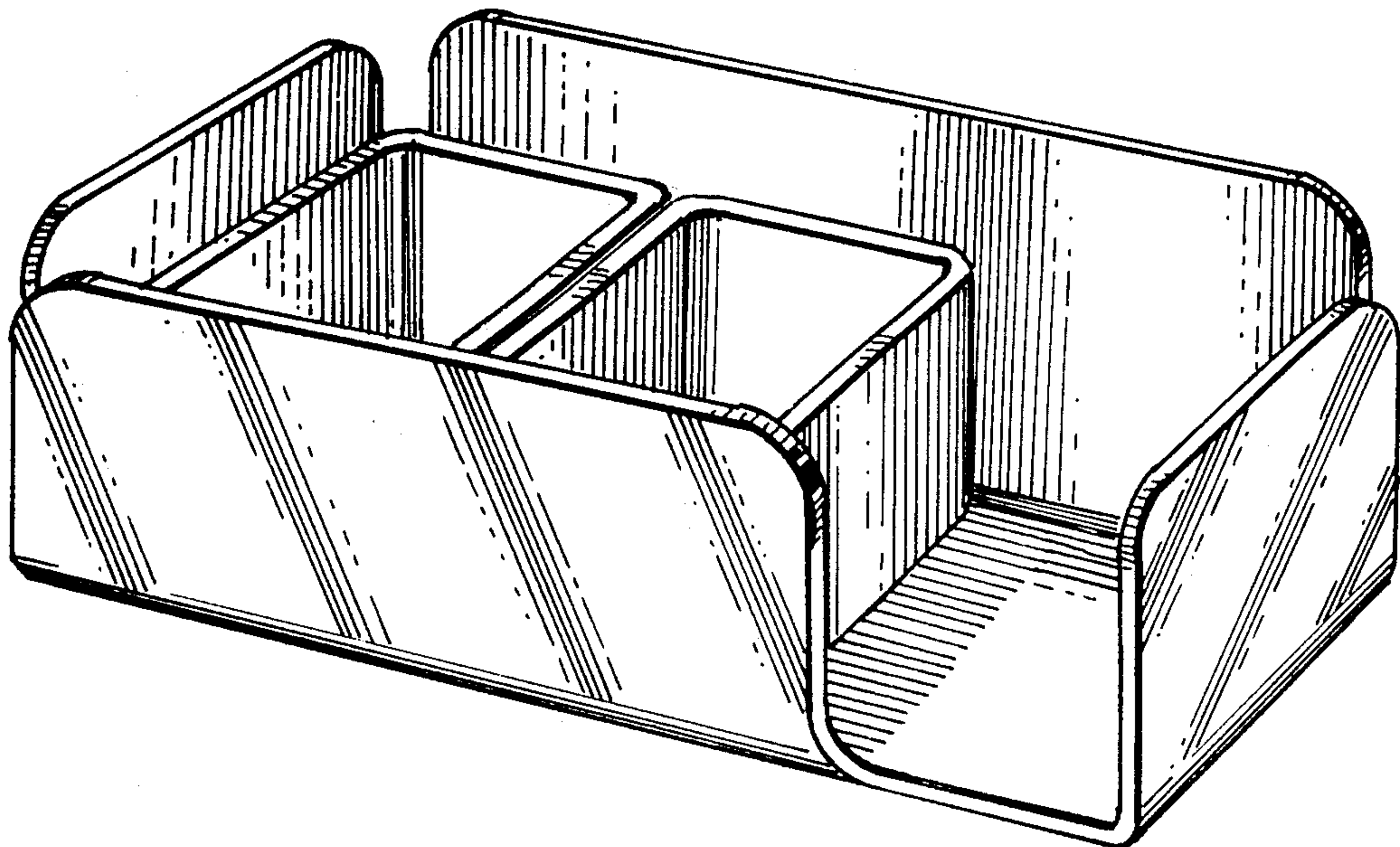
Primary Examiner—George P. Word
Attorney, Agent, or Firm—Jeffers, Irish & Hoffman

[57] **CLAIM**

The ornamental design for a desk organizer tray, substantially as shown and described.

DESCRIPTION

FIG. 1 is a perspective view of a desk organizer tray showing my new design;
FIG. 2 is a top plan view thereof;
FIG. 3 is a bottom view thereof;
FIG. 4 is a front elevational view thereof;
FIG. 5 is a rear elevational view thereof;
FIG. 6 is an elevational view thereof viewed from one end; and
FIG. 7 is an elevational view thereof viewed from the opposite end.



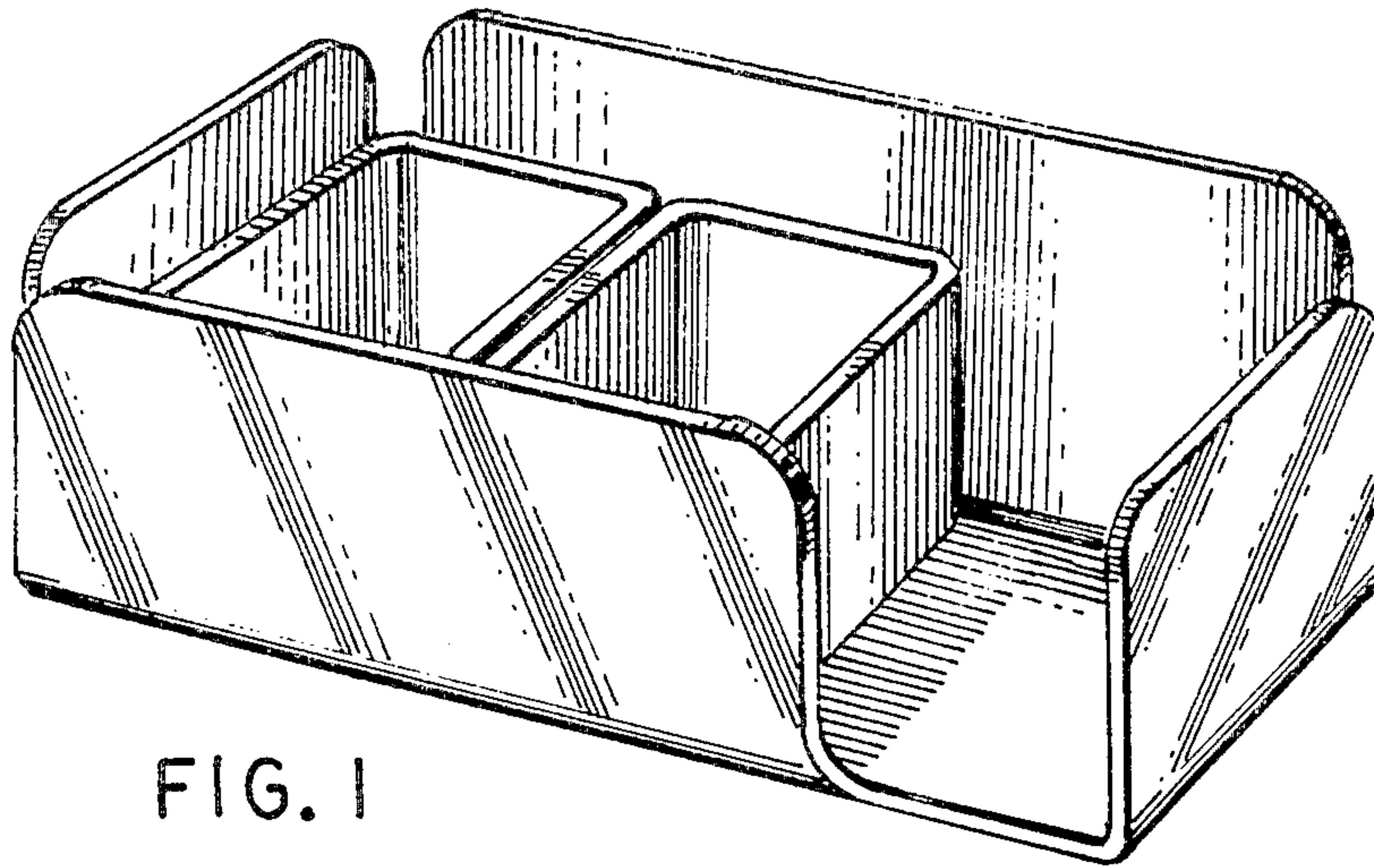


FIG. 1

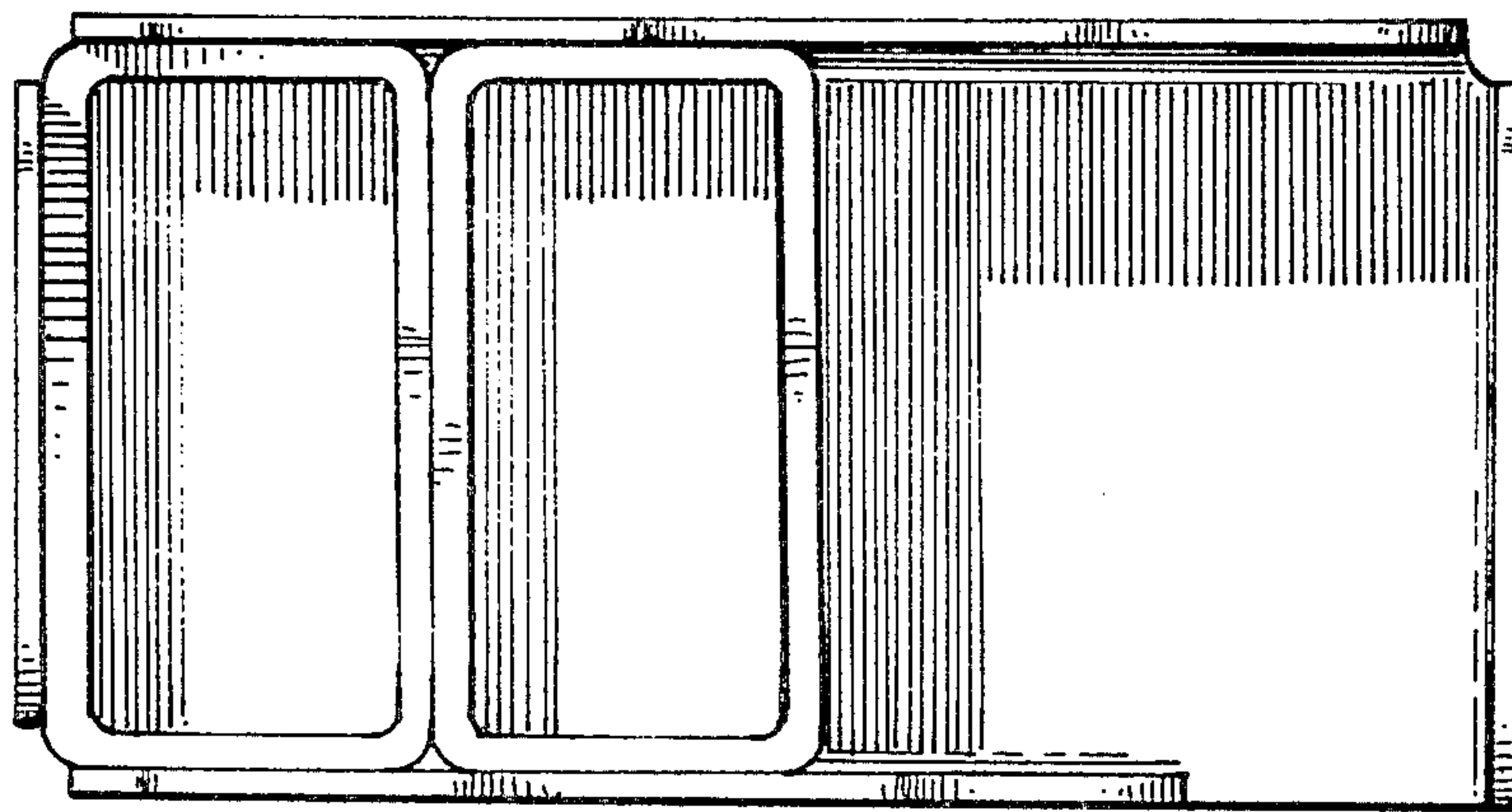


FIG. 2

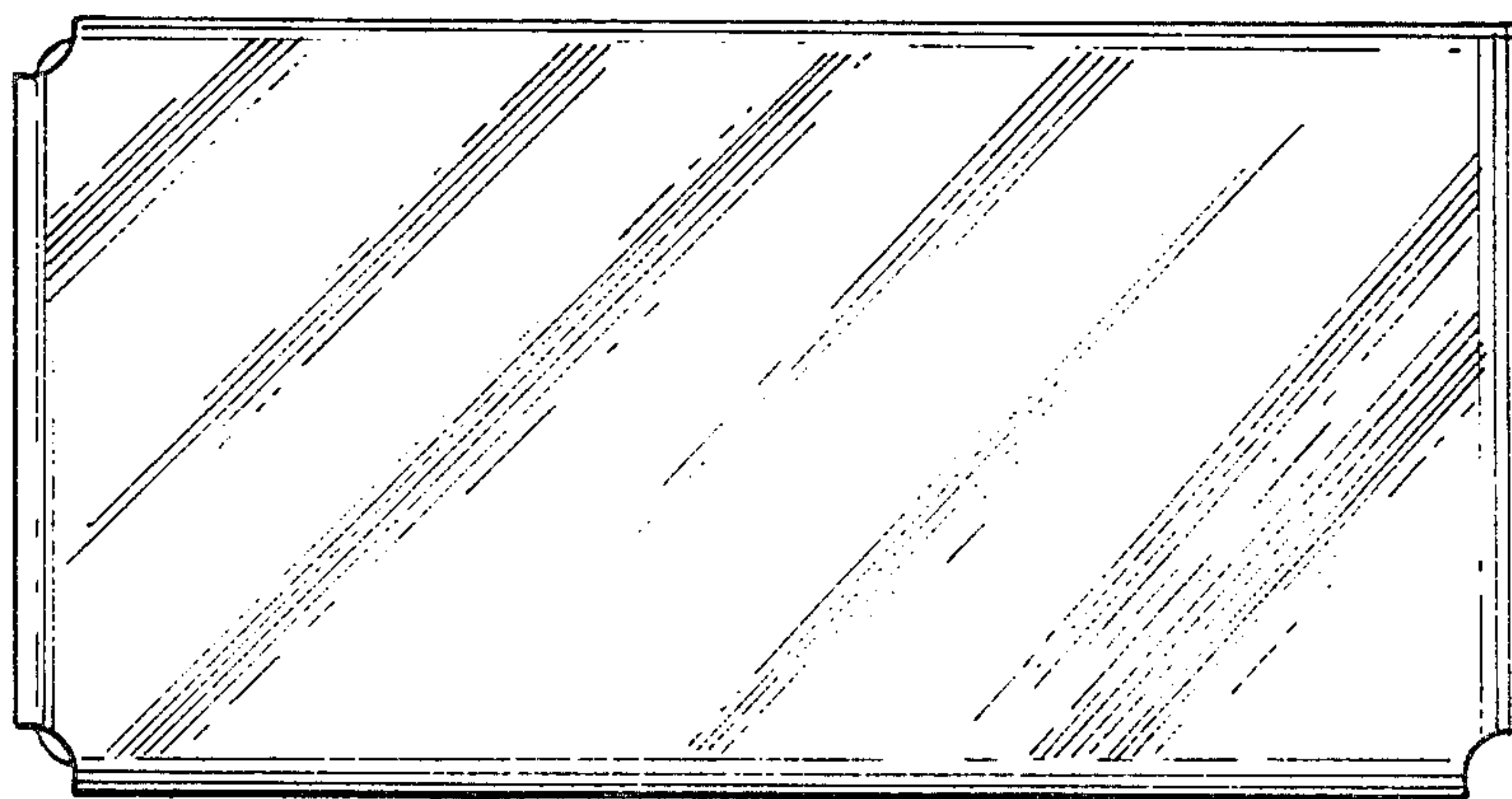


FIG. 3

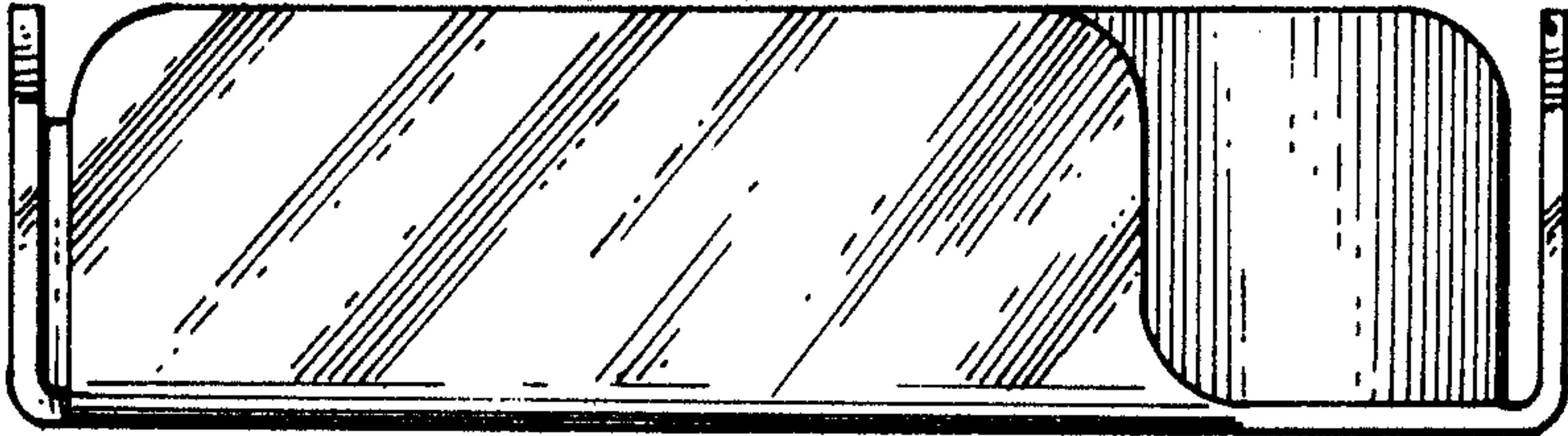


FIG. 4

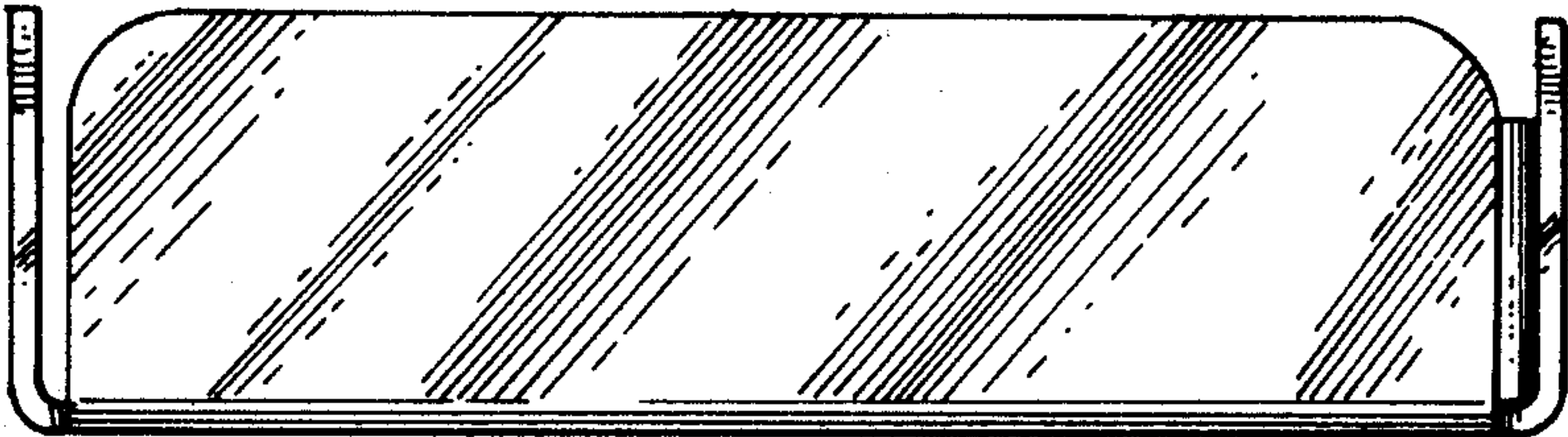


FIG. 5

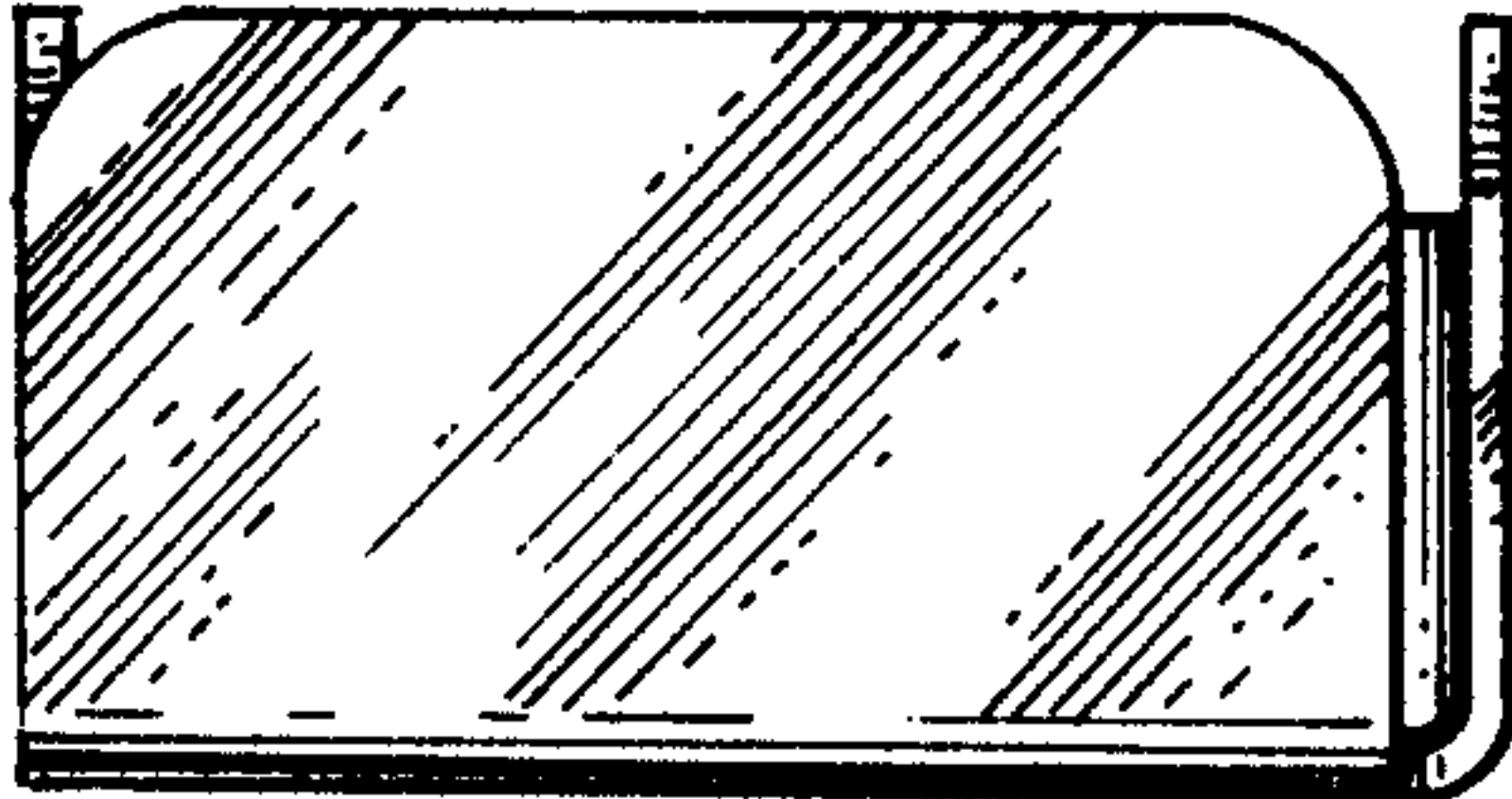


FIG. 6

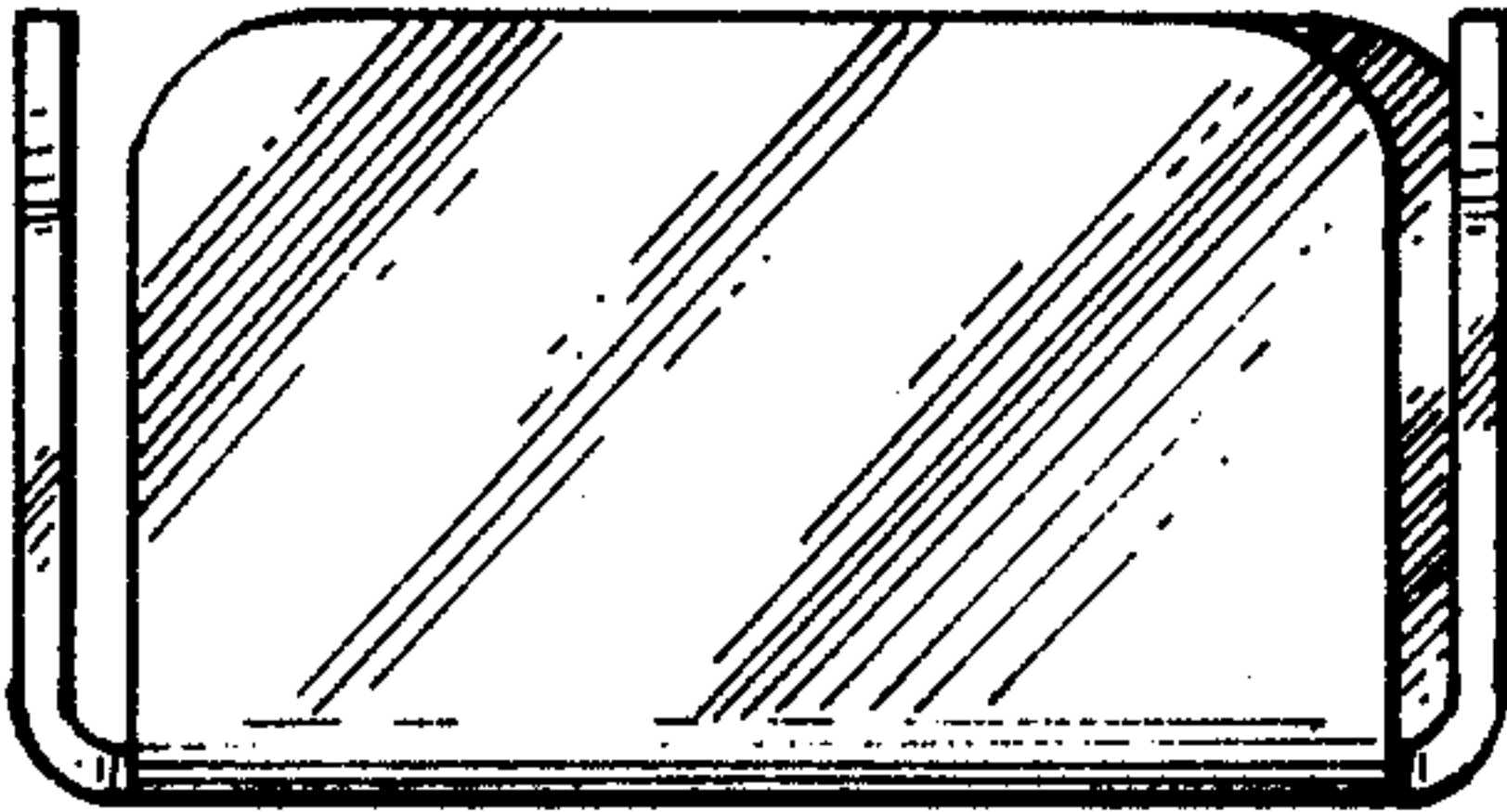


FIG. 7