

[54] MUSIC SCALE

[76] Inventor: John Sperti, 30 Woodland Dr. Box 312, RD 3, Binghamton, N.Y. 13901

[\*\*] Term: 14 Years

[21] Appl. No.: 391,584

[22] Filed: Jun. 24, 1982

[52] U.S. Cl. .... D19/64; D10/46.1

[58] Field of Search ..... D19/64, 59; 84/470 R, 84/474, 485, 471 SR; D10/46.1; 434/206

[56] References Cited

U.S. PATENT DOCUMENTS

763,870	6/1904	Finley .....	84/471 S
3,592,099	7/1971	Gibby .....	84/471 S
3,841,192	10/1974	Leonard .....	84/485
4,305,323	12/1981	Graham .....	84/471 S

Primary Examiner—Melvin B. Feifer  
Attorney, Agent, or Firm—John F. McClellan, Sr.

[57] CLAIM

The ornamental design for a music scale, as shown and described.

DESCRIPTION

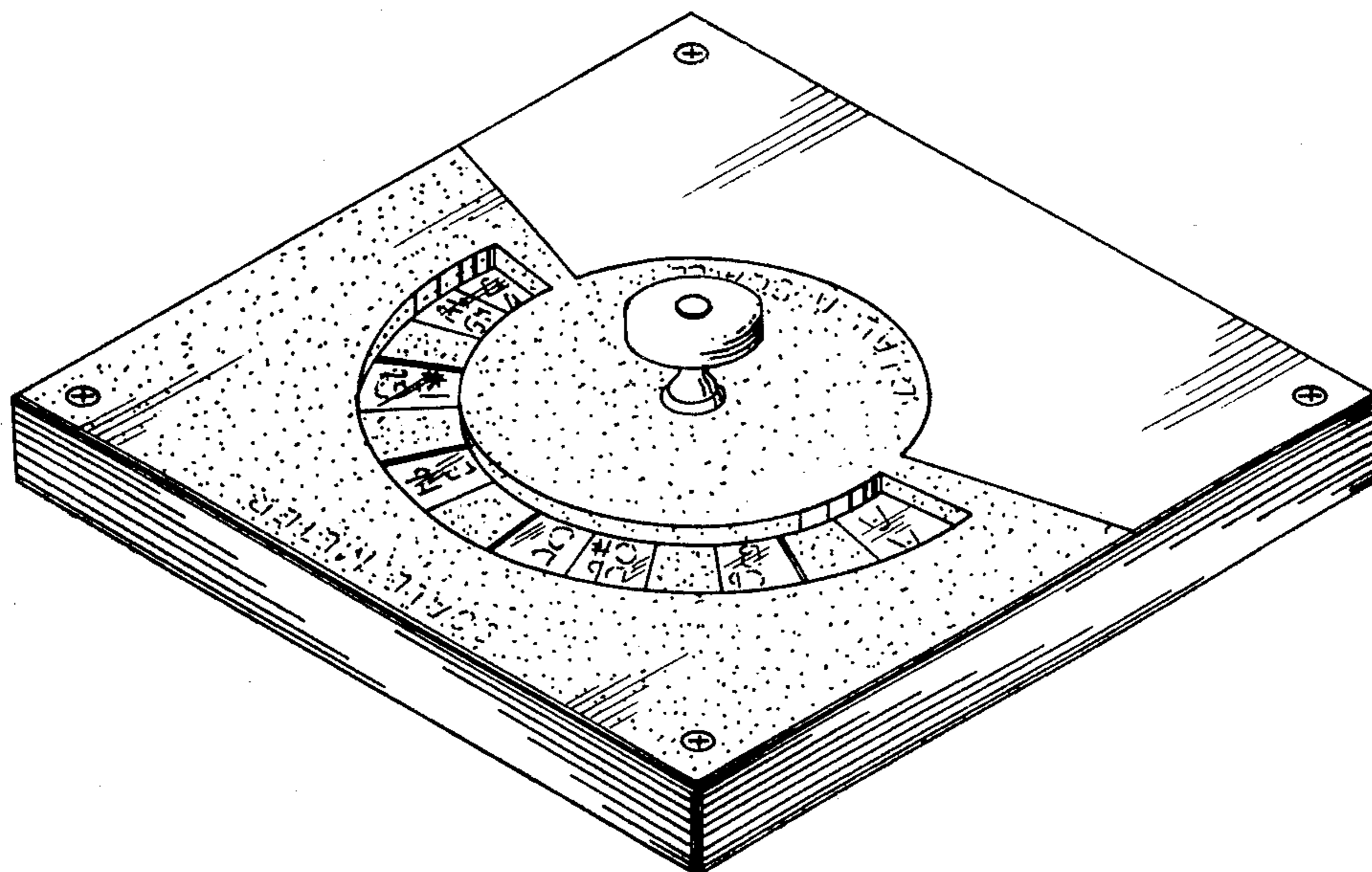
FIG. 1 is a top perspective view of a music scale showing my new design; and

FIG. 2 is a perspective view thereof taken at 180° rotation from the above perspective view.

The broken line showings are for illustrative purposes only.

The bottom is a featureless plane.

The design is characterized by an arcuate array with a plurality of circumferentially spaced recessed windows radiating from a central control element.



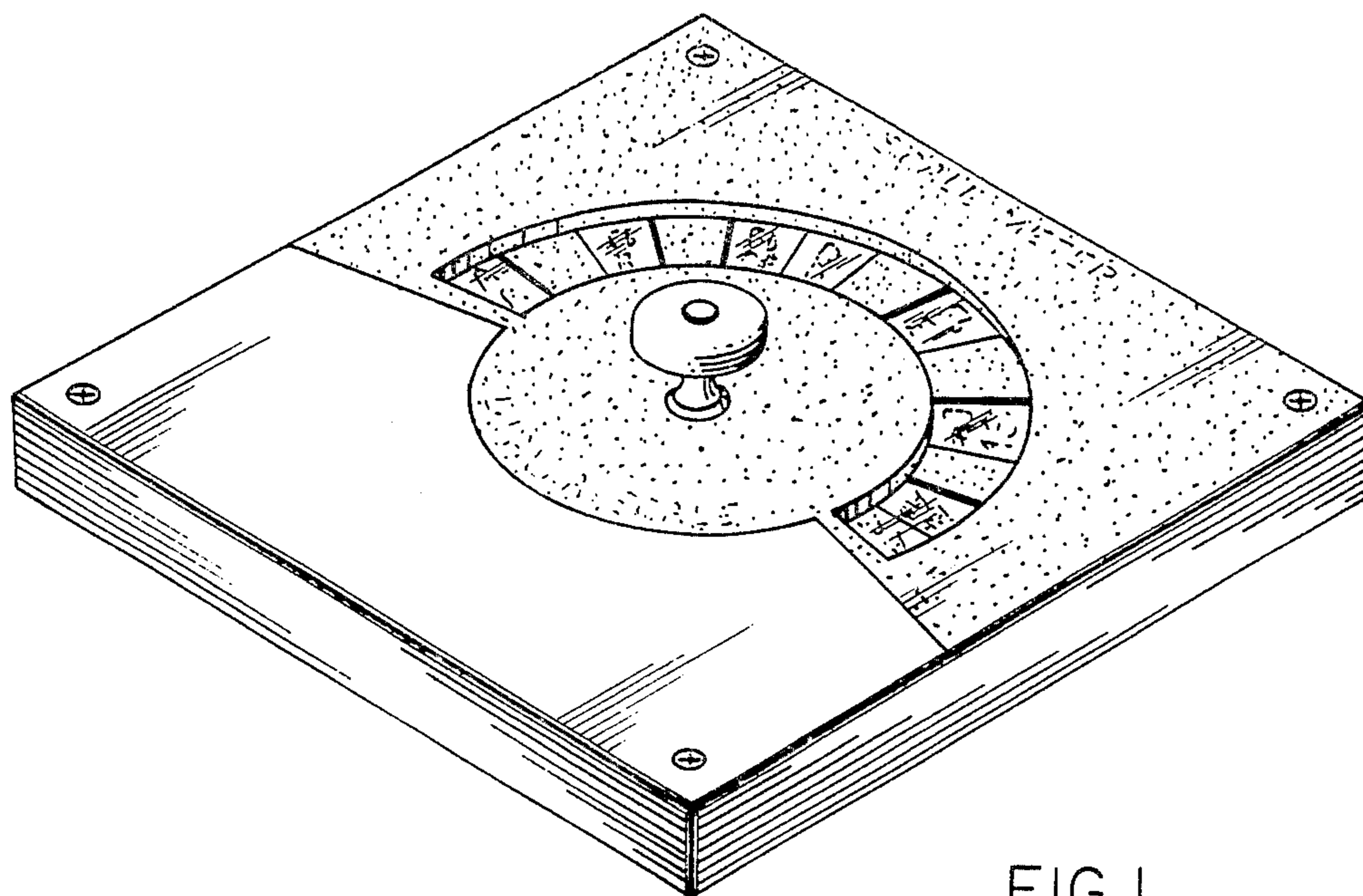


FIG. 1

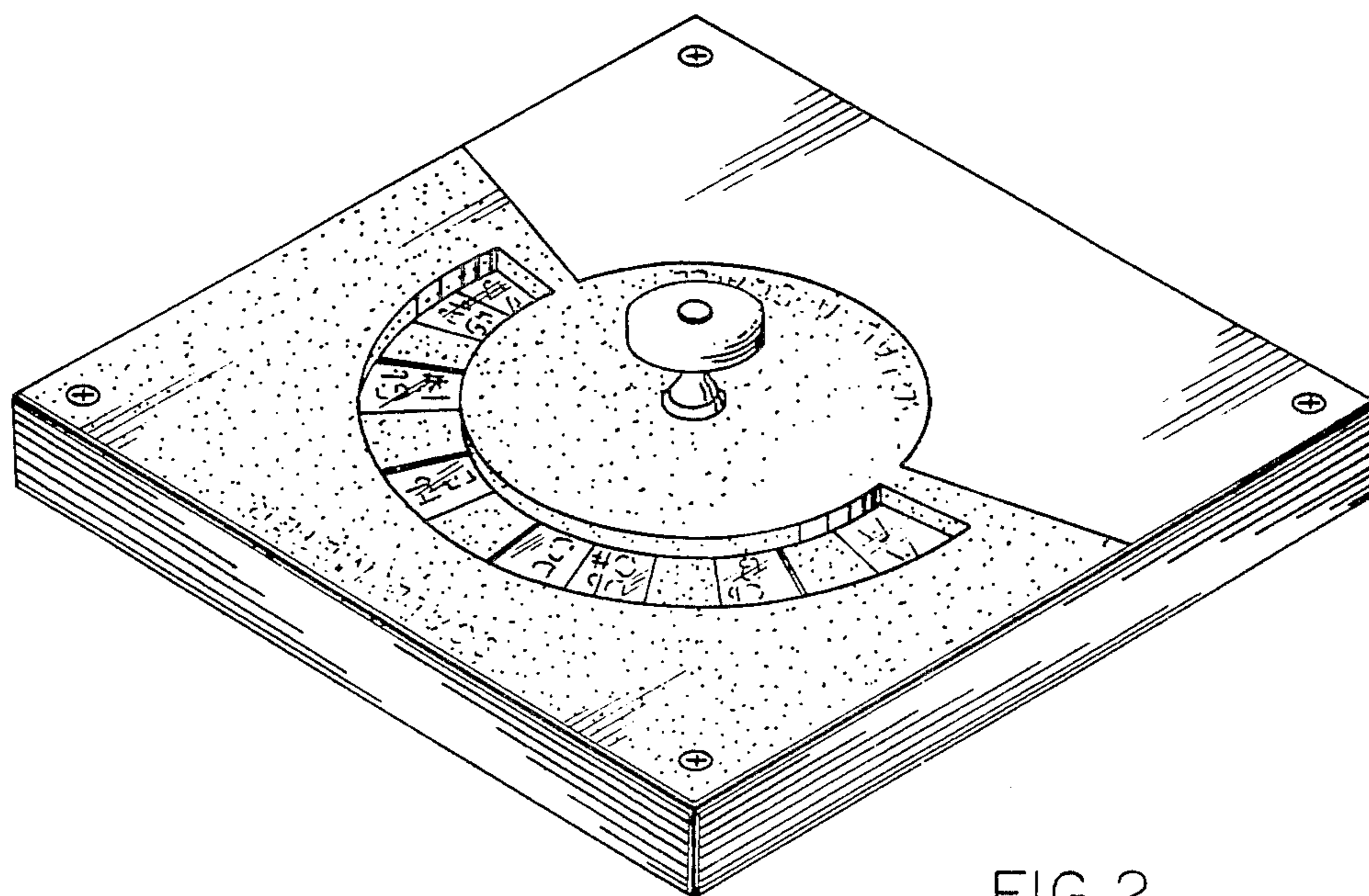


FIG. 2