

[54] SEWING MACHINE OR SIMILAR ARTICLE

3,913,506 10/1975 Adams et al. D15/69 X

[75] Inventor: George LaPolice, Somerville; Michael P. Ballone, New Providence, both of N.J.

[73] Assignee: The Singer Company, Stamford, Conn.

[**] Term: 14 Years

[21] Appl. No.: 371,021

[22] Filed: Apr. 22, 1982

[52] U.S. Cl. D15/69

[58] Field of Search D15/66, 67, 68, 69, D15/70, 71, 72, 73, 74, 75, 76, 77, 78; 112/63, 258, 259, 260, 261

[56] References Cited

U.S. PATENT DOCUMENTS

D. 200,030	1/1965	Creter	D15/69
D. 226,035	1/1973	Yamamoto .	
D. 249,693	9/1978	Kasahara et al.	D15/68
D. 250,649	12/1978	Hirano	D15/70
D. 253,705	12/1979	Felix et al.	D15/69
D. 266,519	10/1982	Genaro et al.	D15/68
3,587,500	6/1971	Fresard	112/258

OTHER PUBLICATIONS

Best Catalog, 1980/81, p. 288, "Brother" sewing machine, item A top left of page.

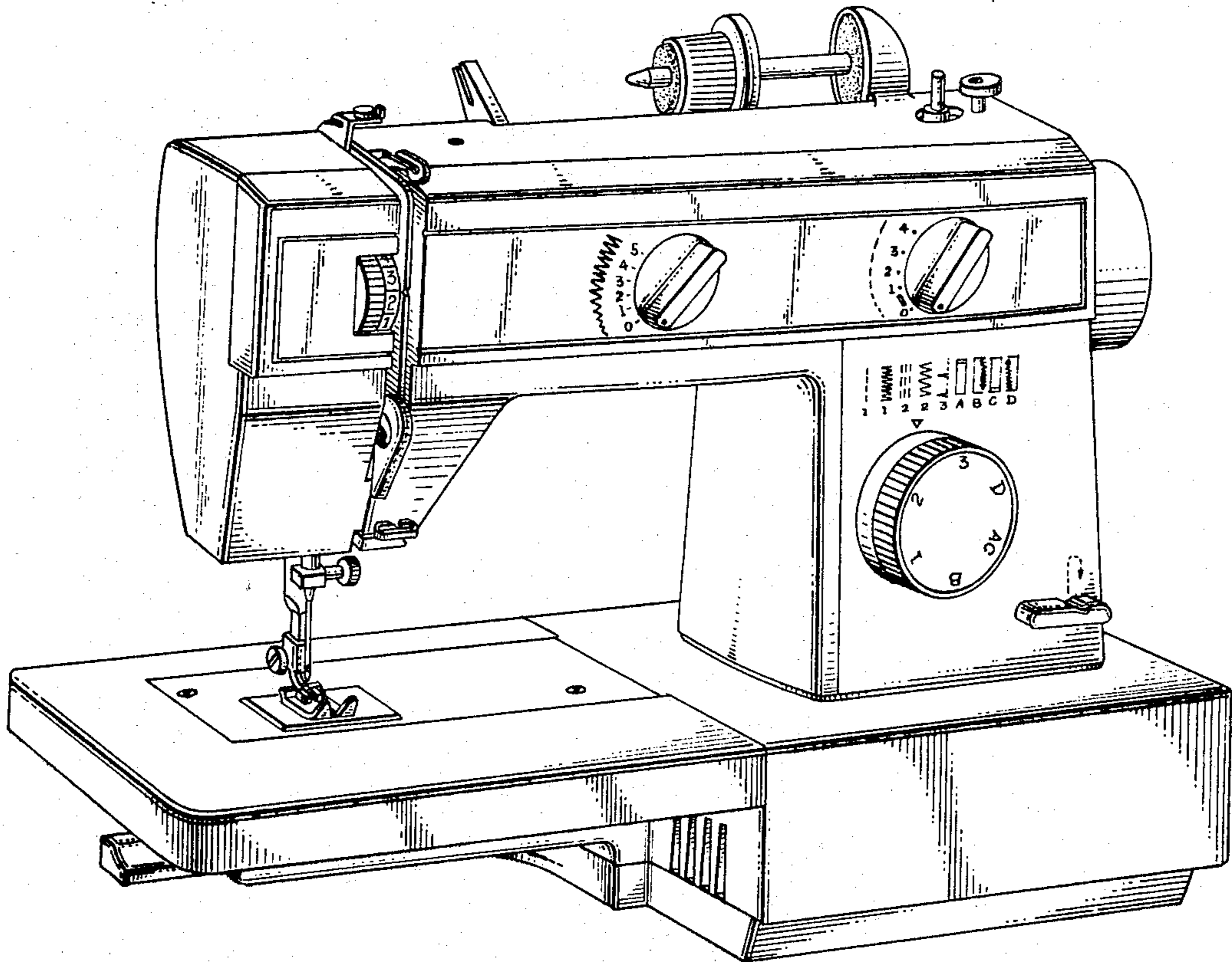
Primary Examiner—Bernard Ansher
Assistant Examiner—Carmen H. Vales
Attorney, Agent, or Firm—Robert E. Smith; Edward L. Bell

[57] CLAIM

The ornamental design for a sewing machine or similar article, substantially as shown.

DESCRIPTION

FIG. 1 is an enlarged perspective view of a sewing machine or similar article showing our new design; FIG. 2 is a front elevational view; FIG. 3 is a rear elevational view; FIG. 4 is a top plan view; FIG. 5 is a bottom plan view; FIG. 6 is a left side elevational view thereof; and FIG. 7 is a right side elevational view thereof.



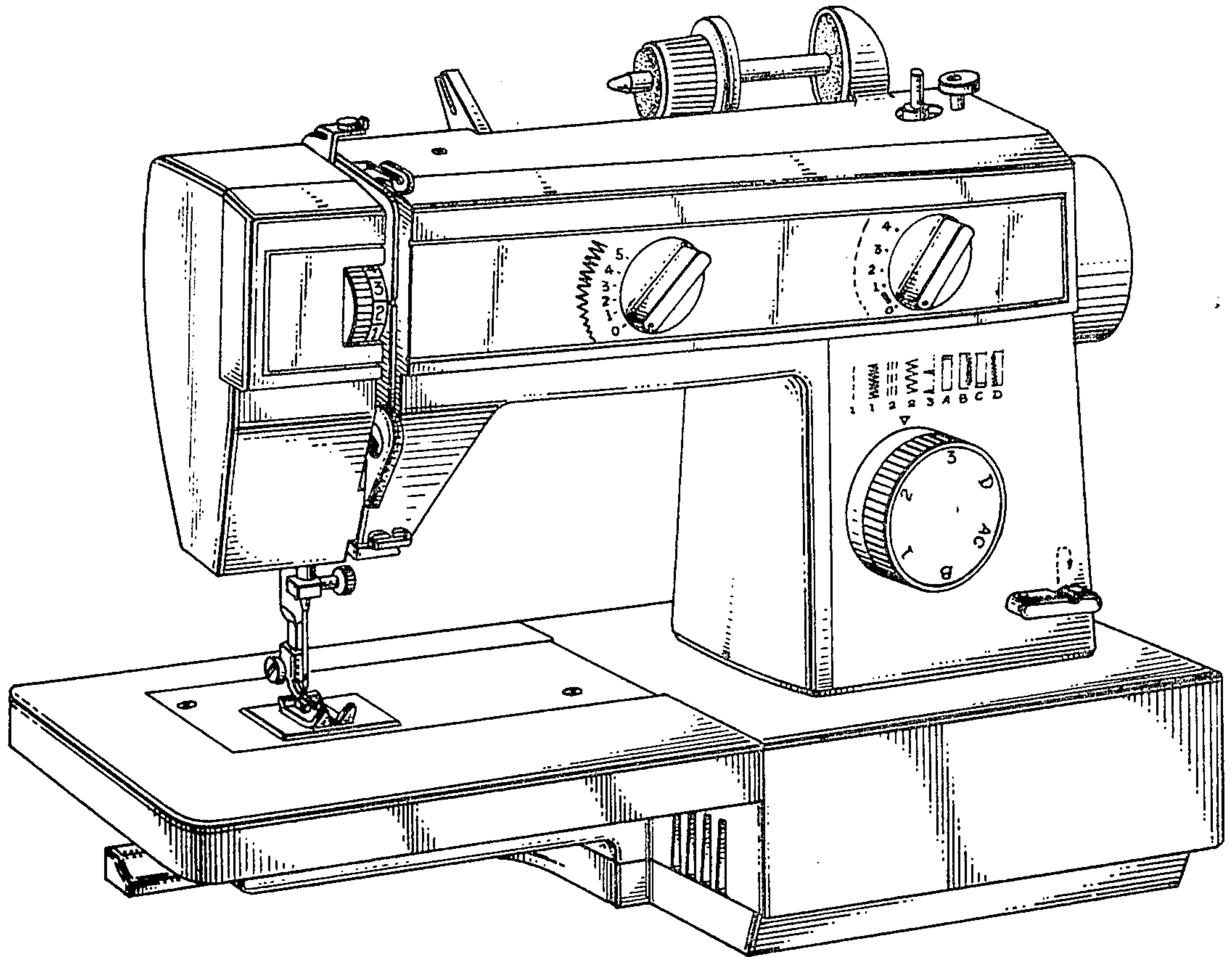


Fig. 1

Fig. 4

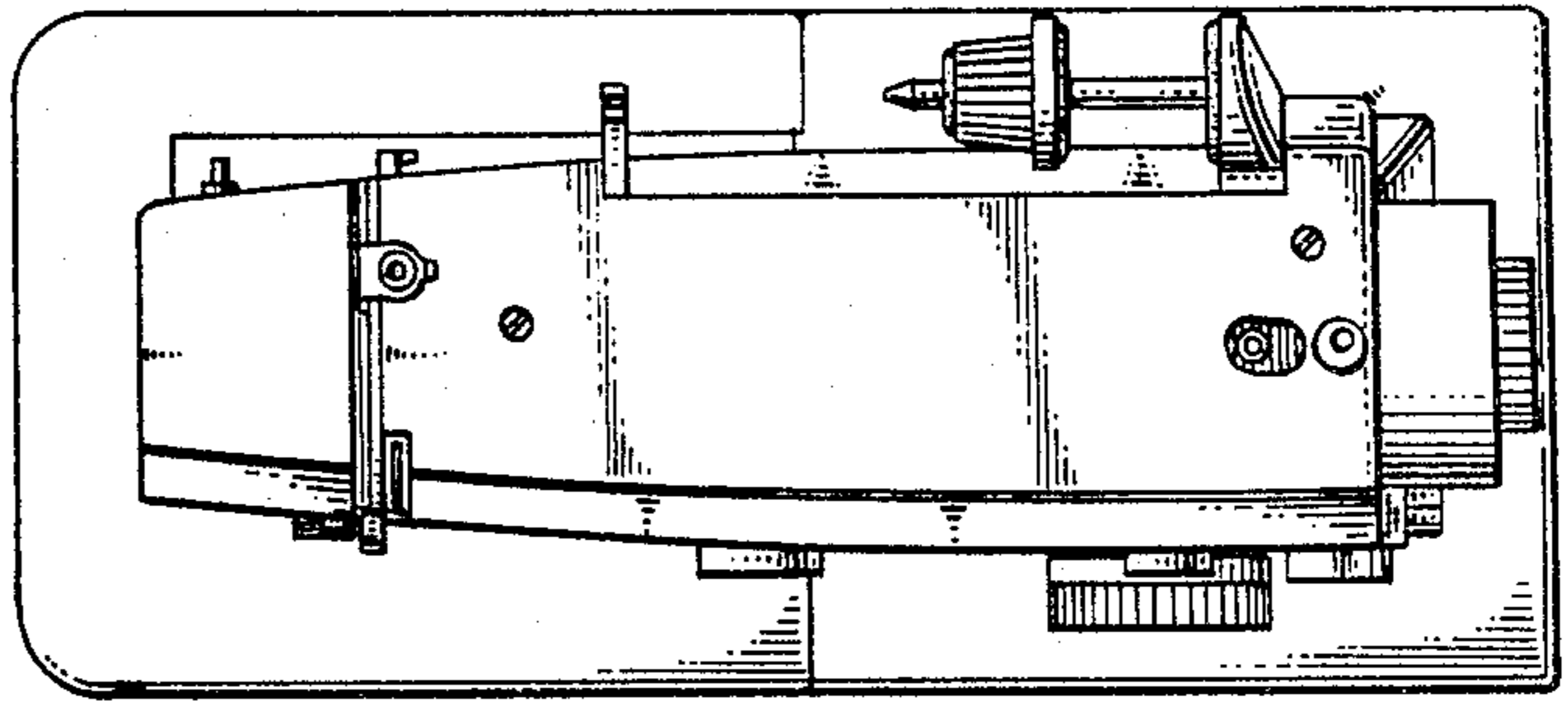


Fig. 2

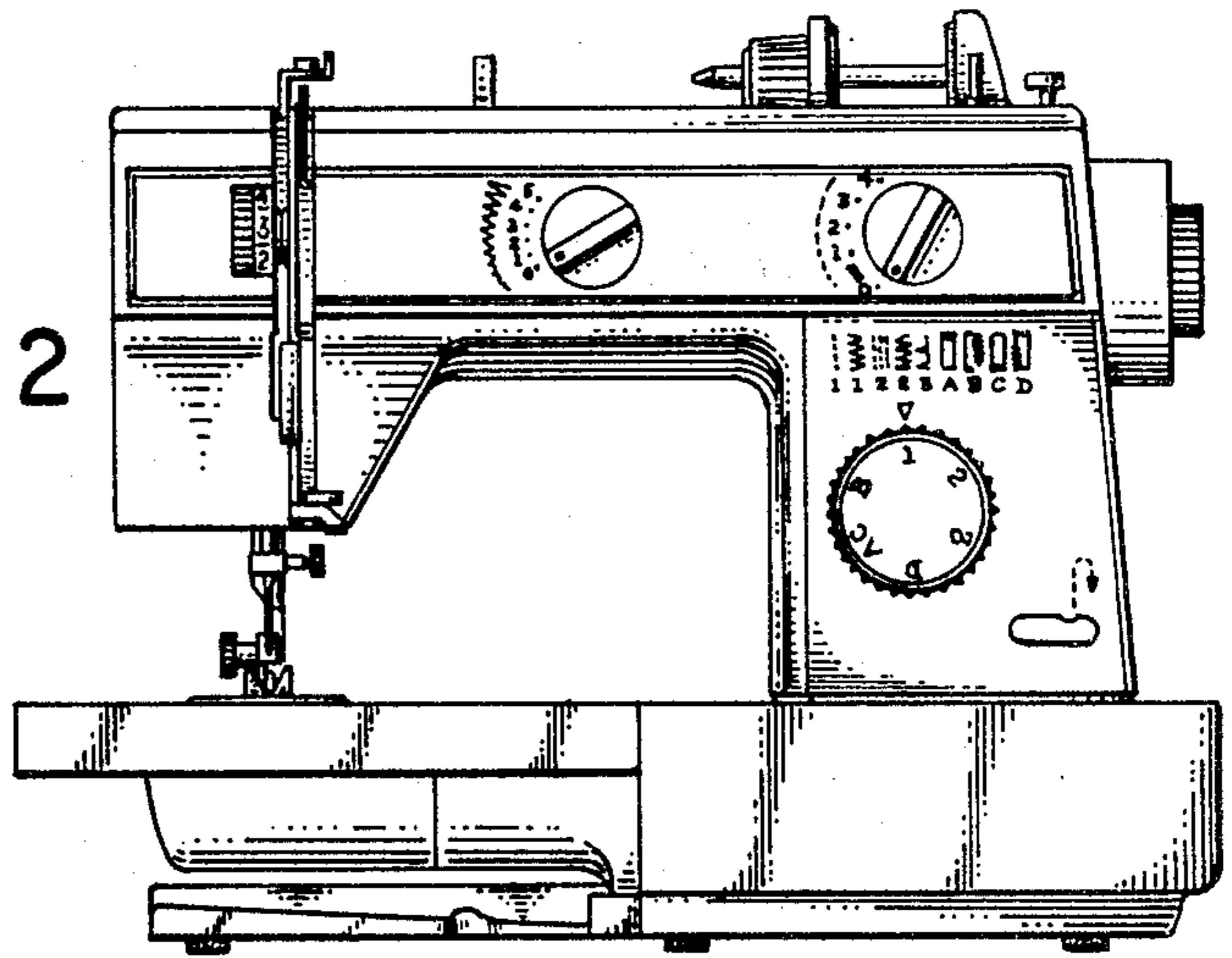


Fig. 6

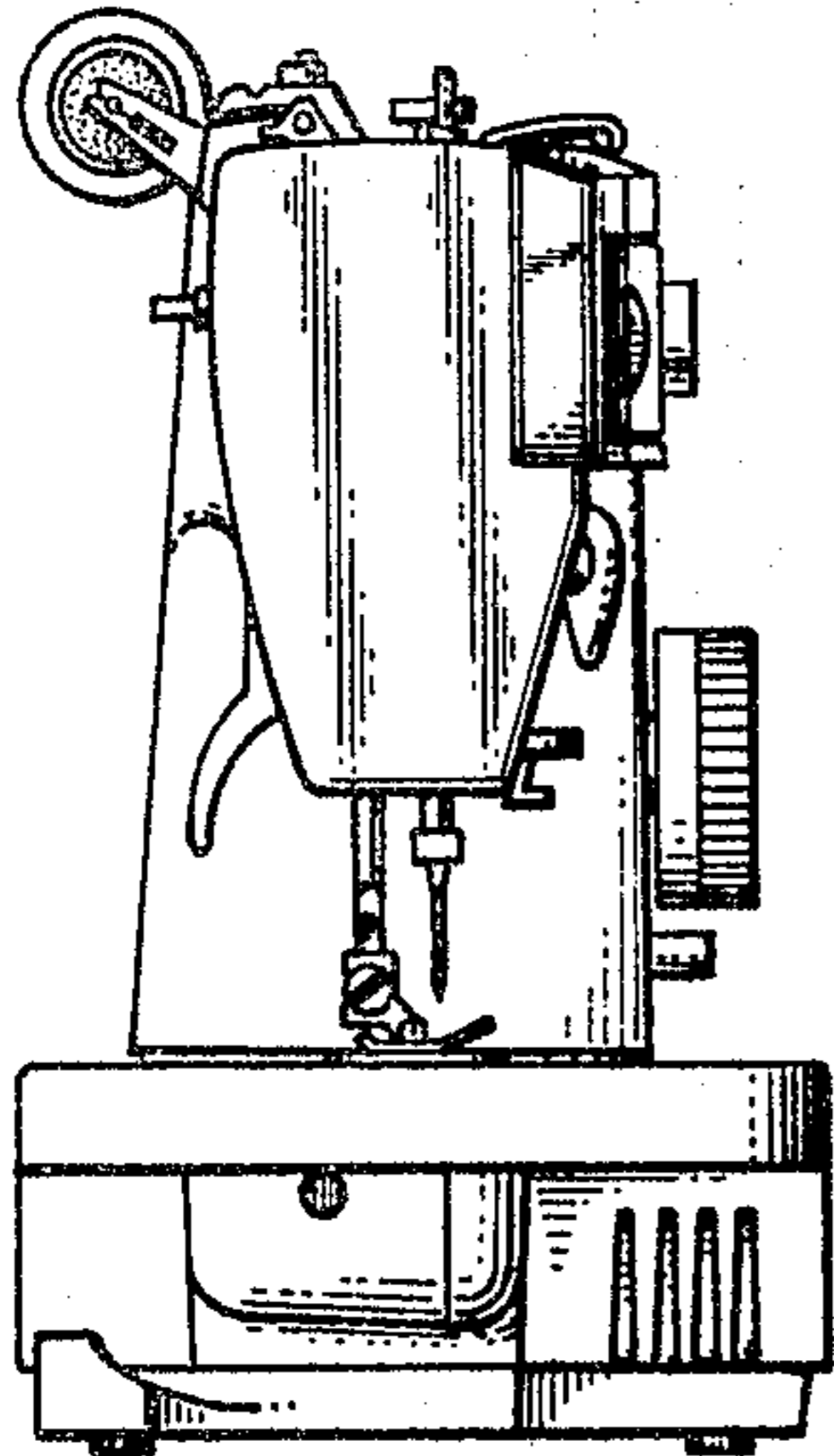


Fig. 5

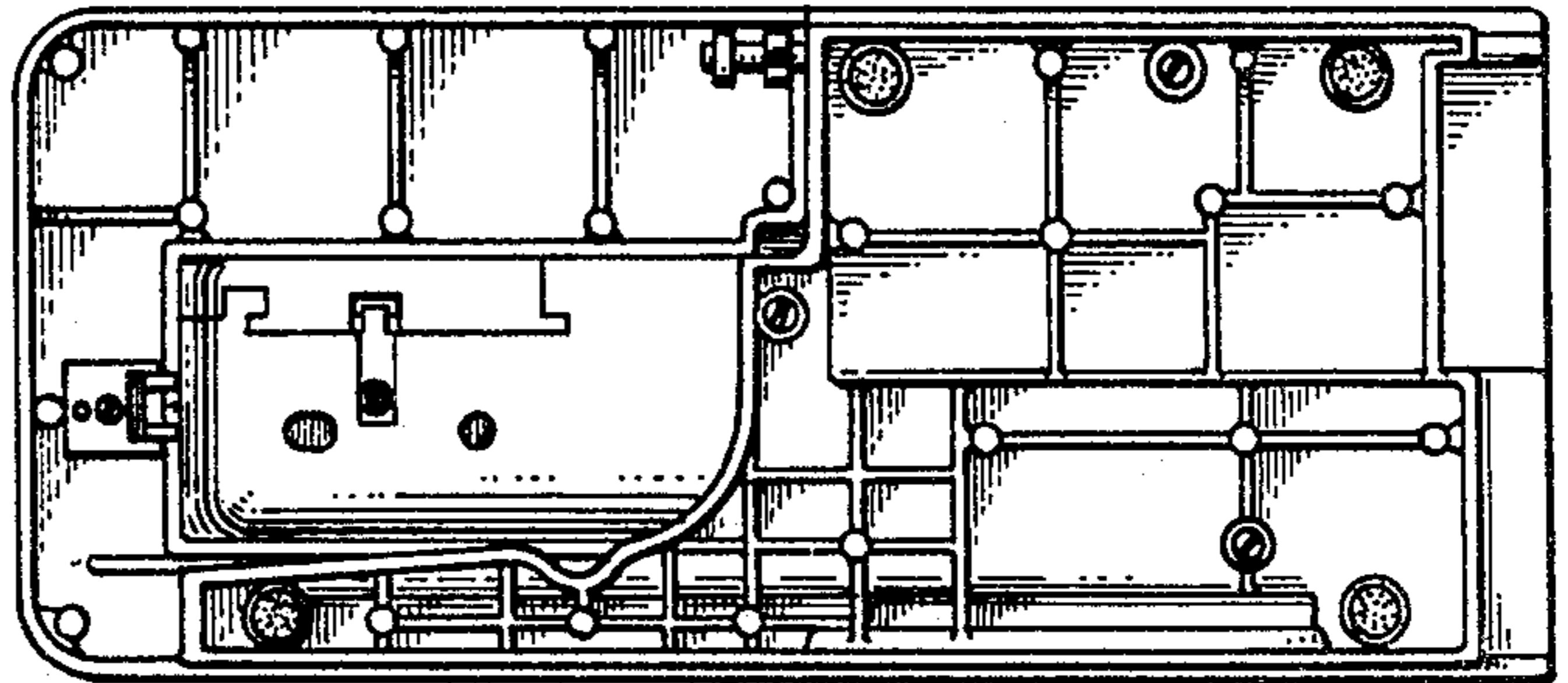


Fig. 3

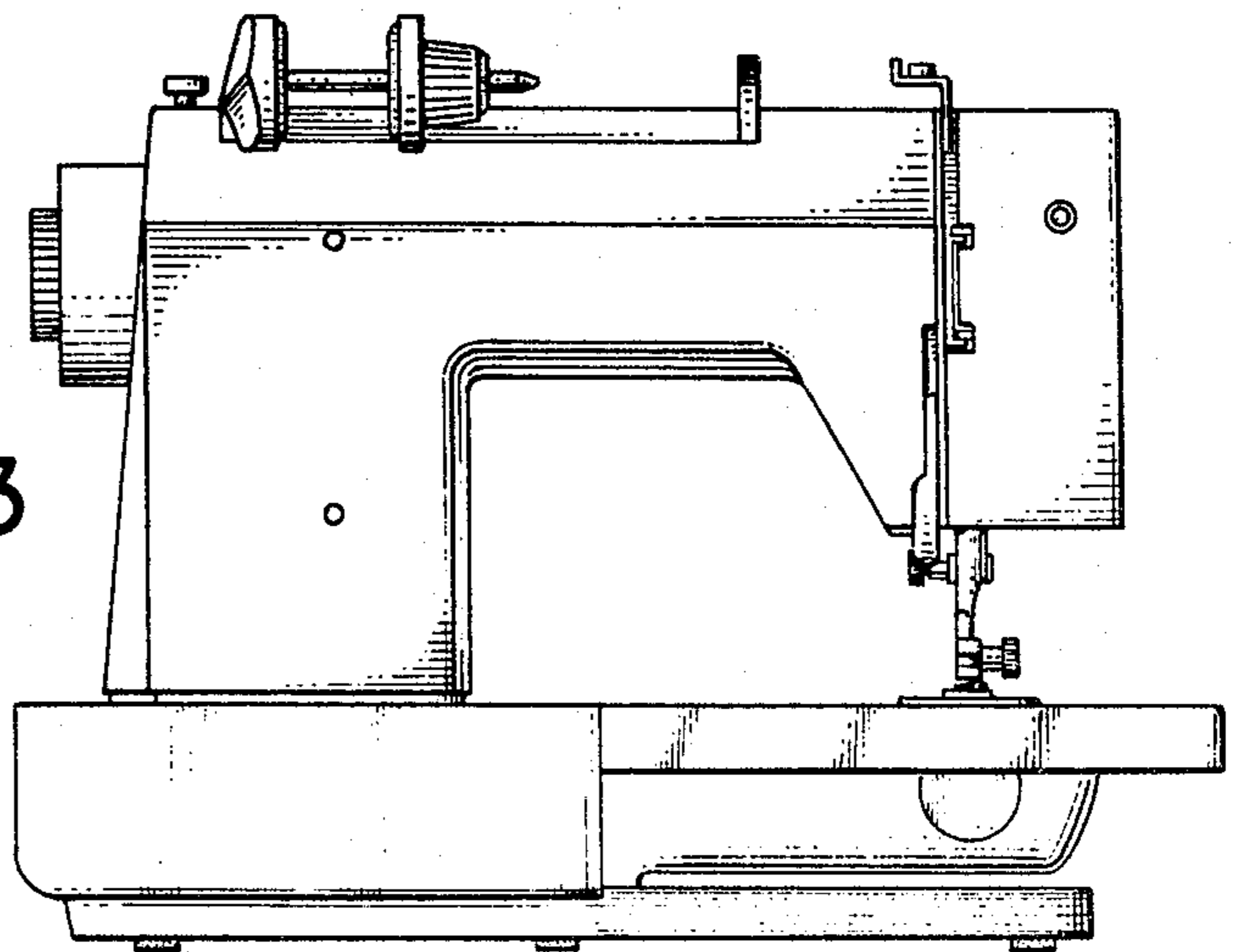


Fig. 7

