

[54] PORTABLE OIL WELL WALKING BEAM PUMP JACK

[76] Inventor: Roy N. Laney, P.O. Box 1085, Airport Rd., Frederick, Okla. 73542

[**] Term: 14 Years

[21] Appl. No.: 443,124

[22] Filed: Nov. 19, 1982

[52] U.S. Cl. D15/7

[58] Field of Search D15/7, 9; 417/539, 900, 417/234

[56] References Cited

U.S. PATENT DOCUMENTS

3,055,228	9/1962	McStravick	417/539
3,136,166	6/1964	Journey	417/539
4,050,858	9/1977	Ewbank et al.	417/234
4,070,135	1/1978	Eller	417/234

Primary Examiner—Wallace R. Burke

Assistant Examiner—L. Wilder

Attorney, Agent, or Firm—Christopher H. Morgan

[57] CLAIM

The ornamental design for a portable oil well walking beam pump jack, substantially as shown and described.

DESCRIPTION

FIG. 1 is a right side elevational view of the portable oil well walking beam pump jack which incorporates my new design, disposed in a folded position;

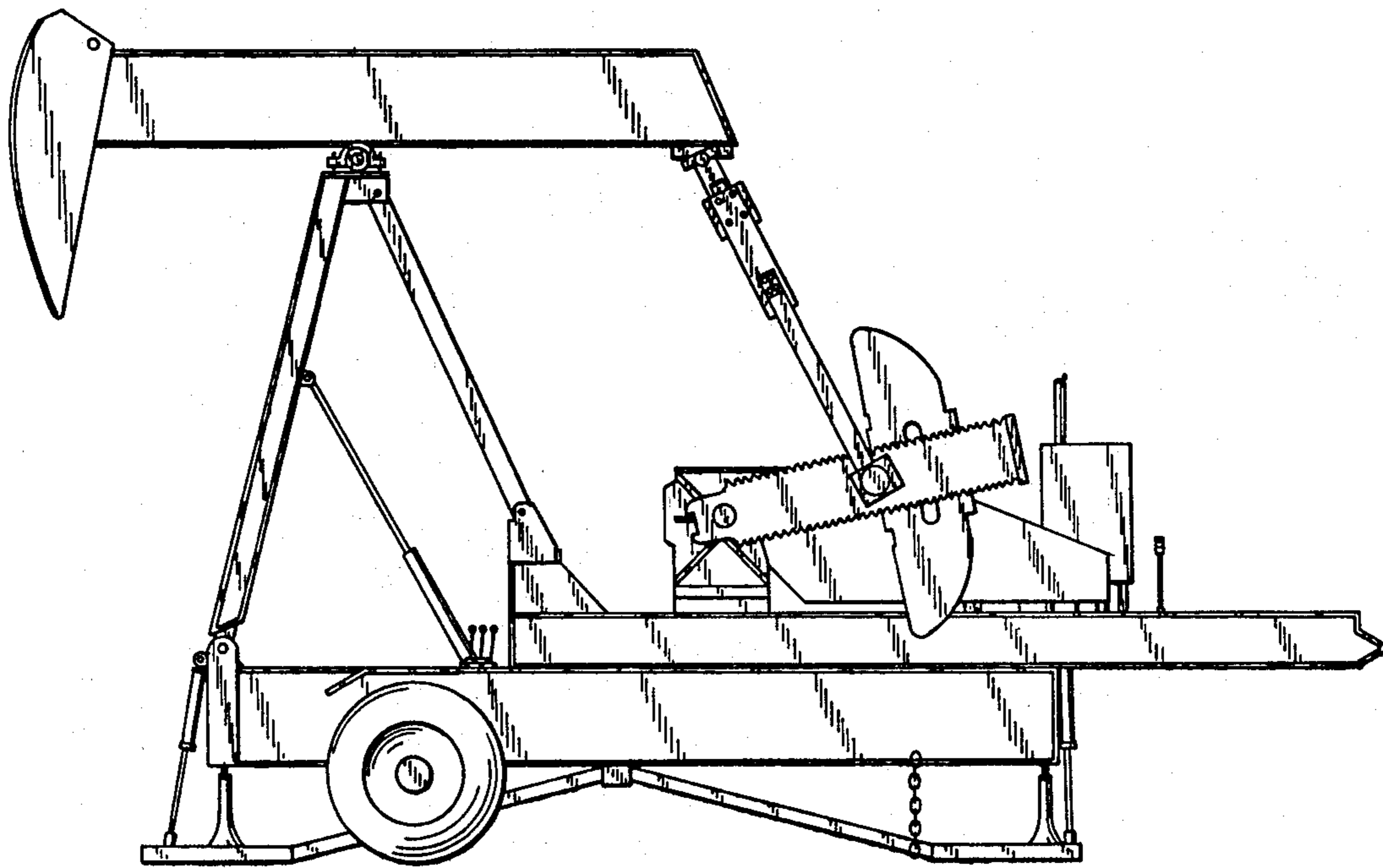
FIG. 2 is a right side elevational view thereof which incorporates my new design, disposed in a raised position;

FIG. 3 is a left side elevational view thereof illustrated in FIG. 2;

FIG. 4 is a rear elevational view thereof illustrated in FIG. 2;

FIG. 5 is a front elevational view thereof illustrated in FIG. 2;

FIG. 6 is a top plan view thereof shown in FIG. 2; and FIG. 7 is a bottom plan view thereof illustrated in FIG. 2.



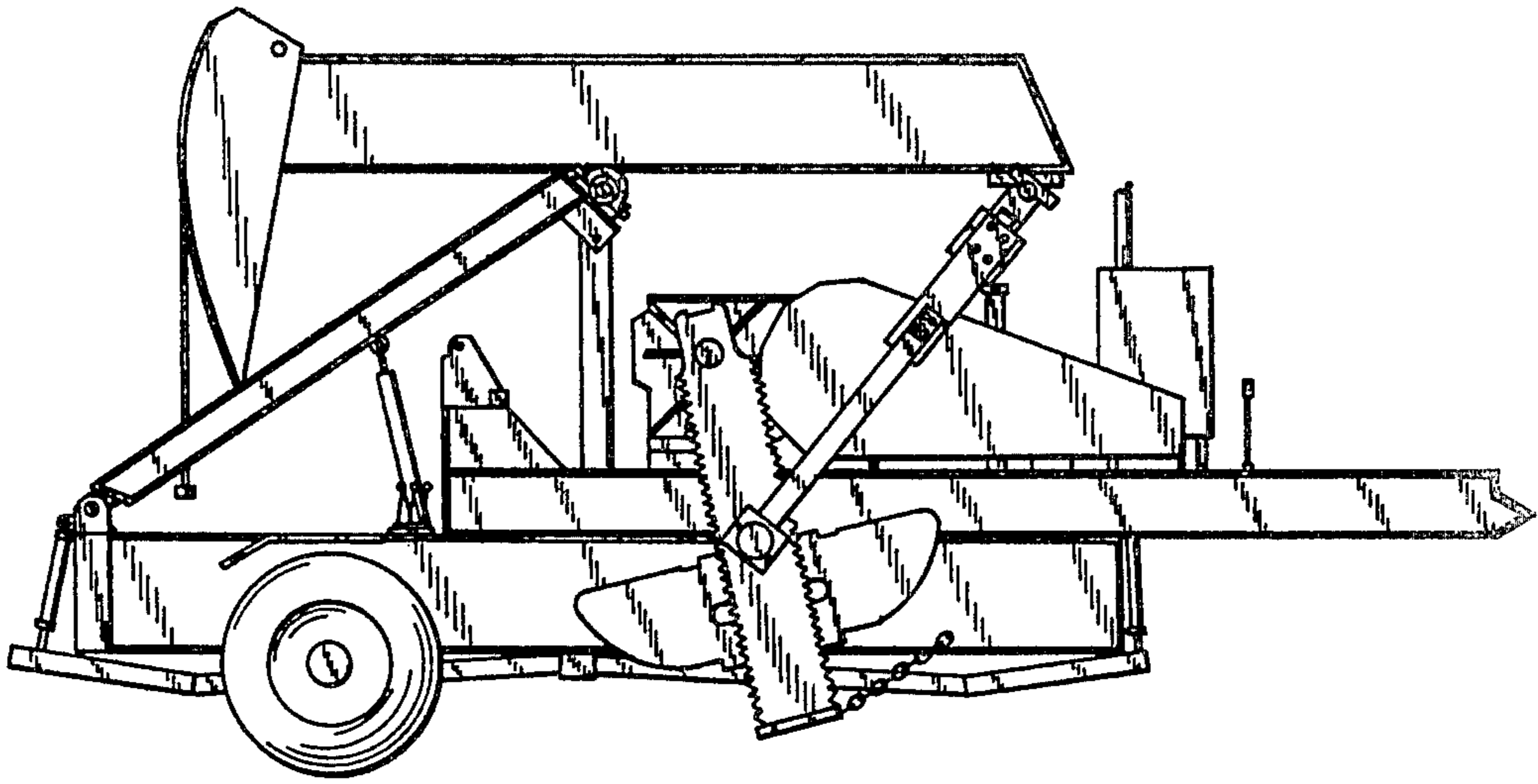


FIG. 1

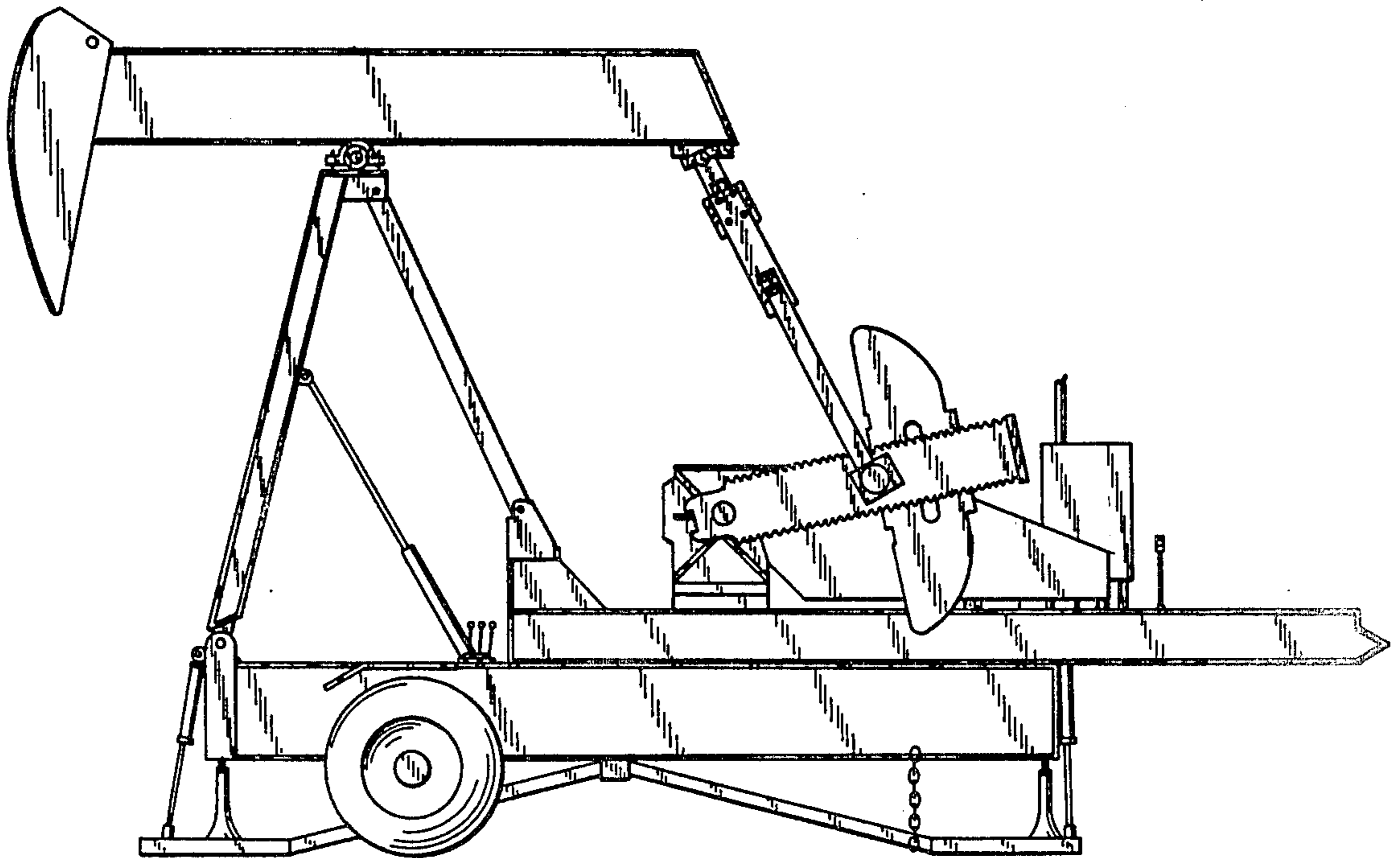


FIG. 2

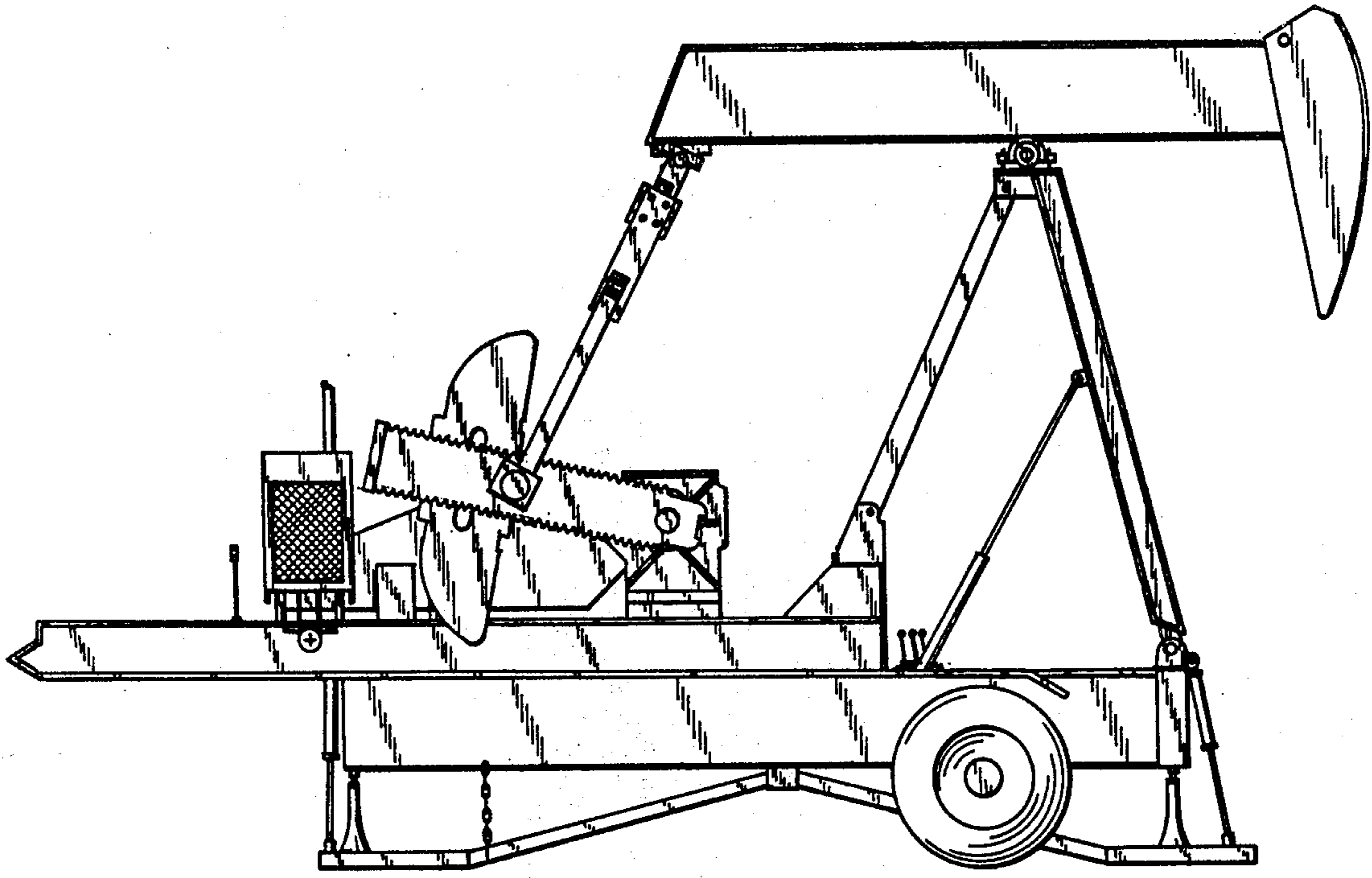


FIG. 3

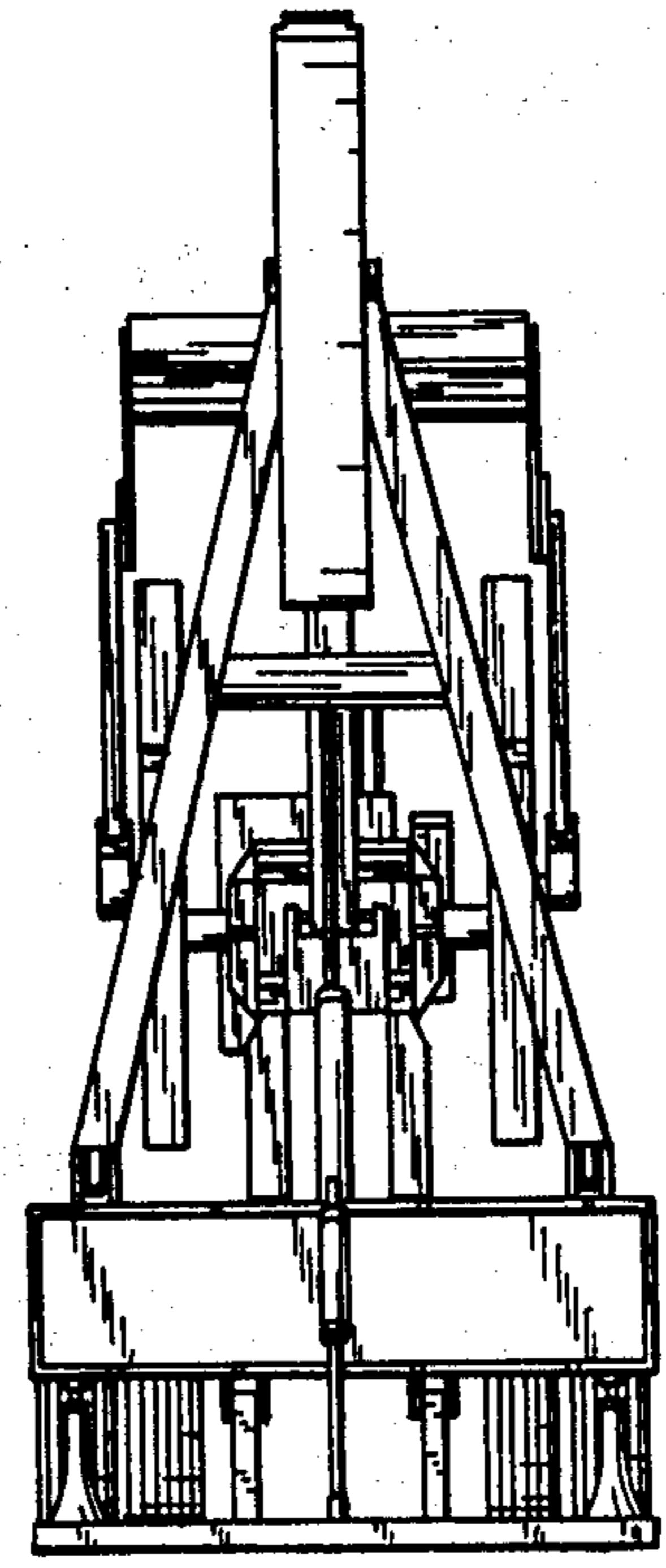


FIG. 4

