

[54] COMBINED PRINTED CIRCUIT BOARD CARRIER AND COMPONENT TRAY

[75] Inventor: Evans H. Pridgen, Raleigh, N.C.

[73] Assignee: Northern Telecom Inc., Nashville, Tenn.

[\*\*] Term: 14 Years

[21] Appl. No.: 329,945

[22] Filed: Dec. 11, 1981

[52] U.S. Cl. .... D6/468; D13/41

[58] Field of Search ..... D6/85, 157, 181, 186, D6/189; D13/40, 41

[56] References Cited

U.S. PATENT DOCUMENTS

- D. 201,330 6/1965 Kolstad ..... D6/189
- D. 213,323 2/1969 Buccino ..... D6/189
- D. 218,609 9/1970 Charles ..... D13/40

- D. 230,993 3/1974 Warner ..... D13/41 X
- D. 232,893 9/1974 Moretini ..... D6/189
- D. 246,454 11/1977 Ebner et al. .... D13/41
- D. 256,644 9/1980 Marks ..... D6/186

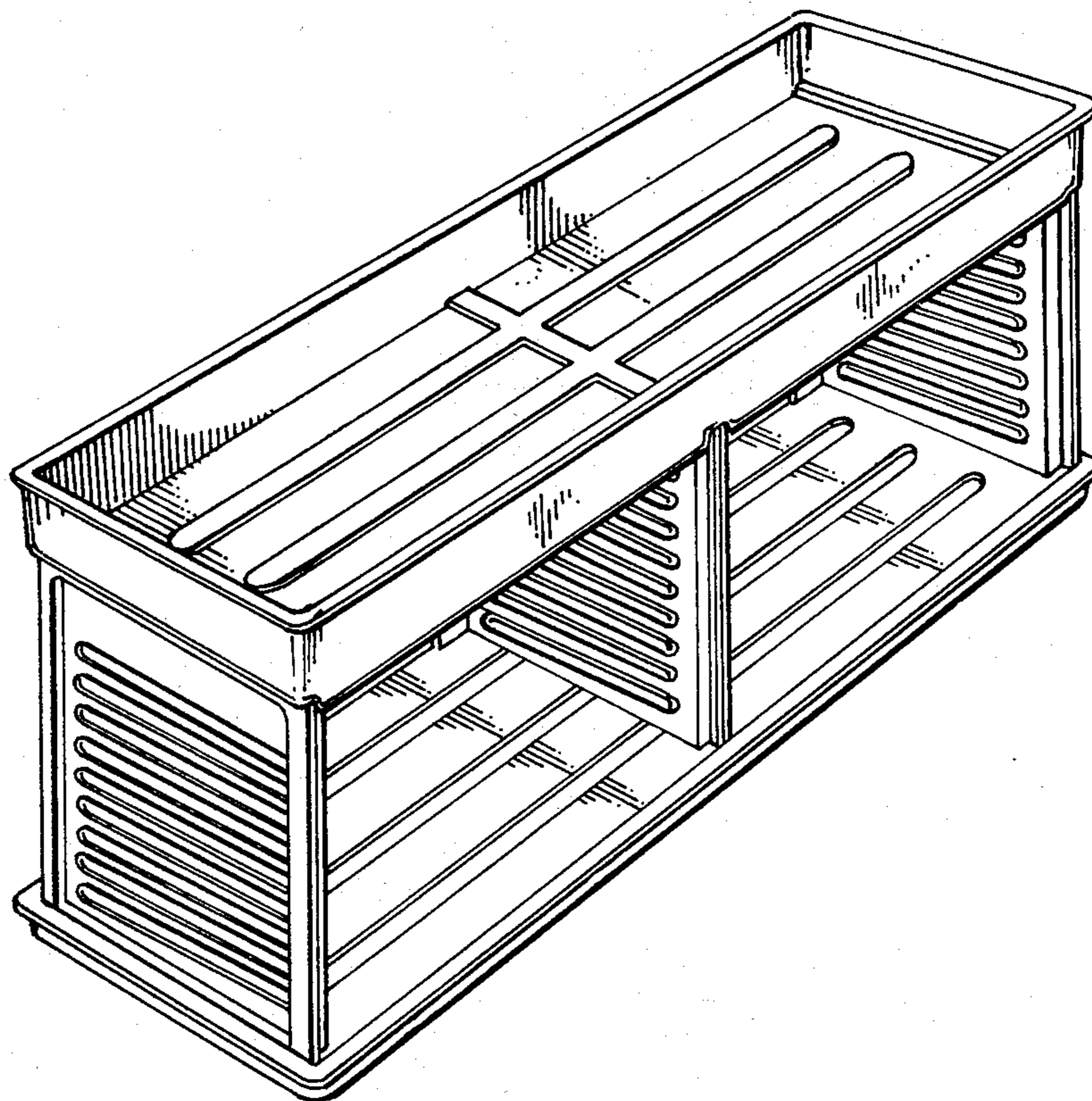
Primary Examiner—Bruce W. Dunkins  
Attorney, Agent, or Firm—Schwartz, Jeffery, Schwaab, Mack, Blumenthal & Koch

[57] CLAIM

The ornamental design for a combined printed circuit board carrier and component tray, substantially as shown and described.

DESCRIPTION

FIG. 1 is a perspective view of a combined printed circuit board carrier and component tray; FIG. 2 is a rear elevational view; FIG. 3 is a top plan view; FIG. 4 is a bottom plan view; and FIG. 5 is an elevational view taken from the left in FIG. 1.



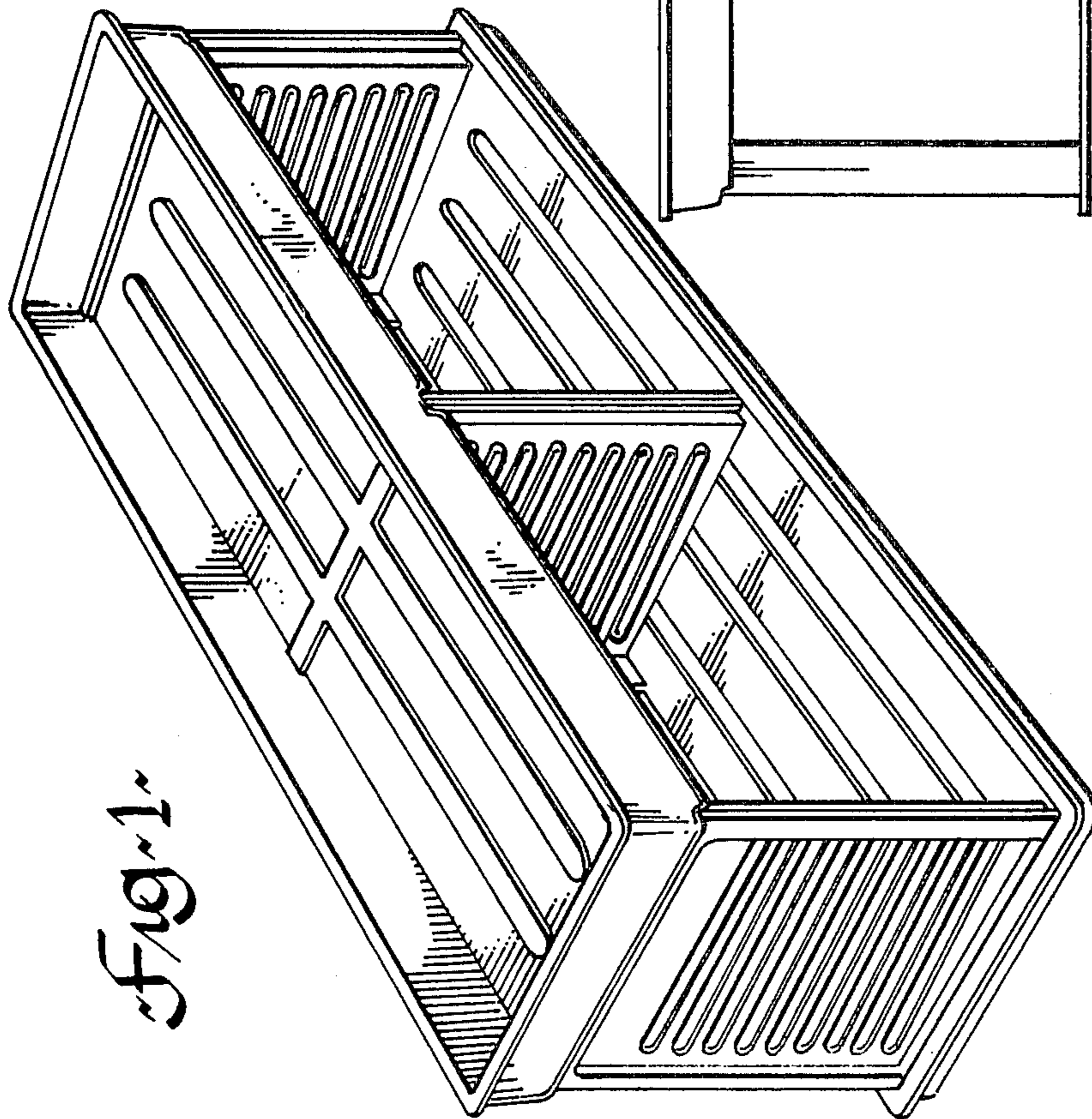


Fig. 1

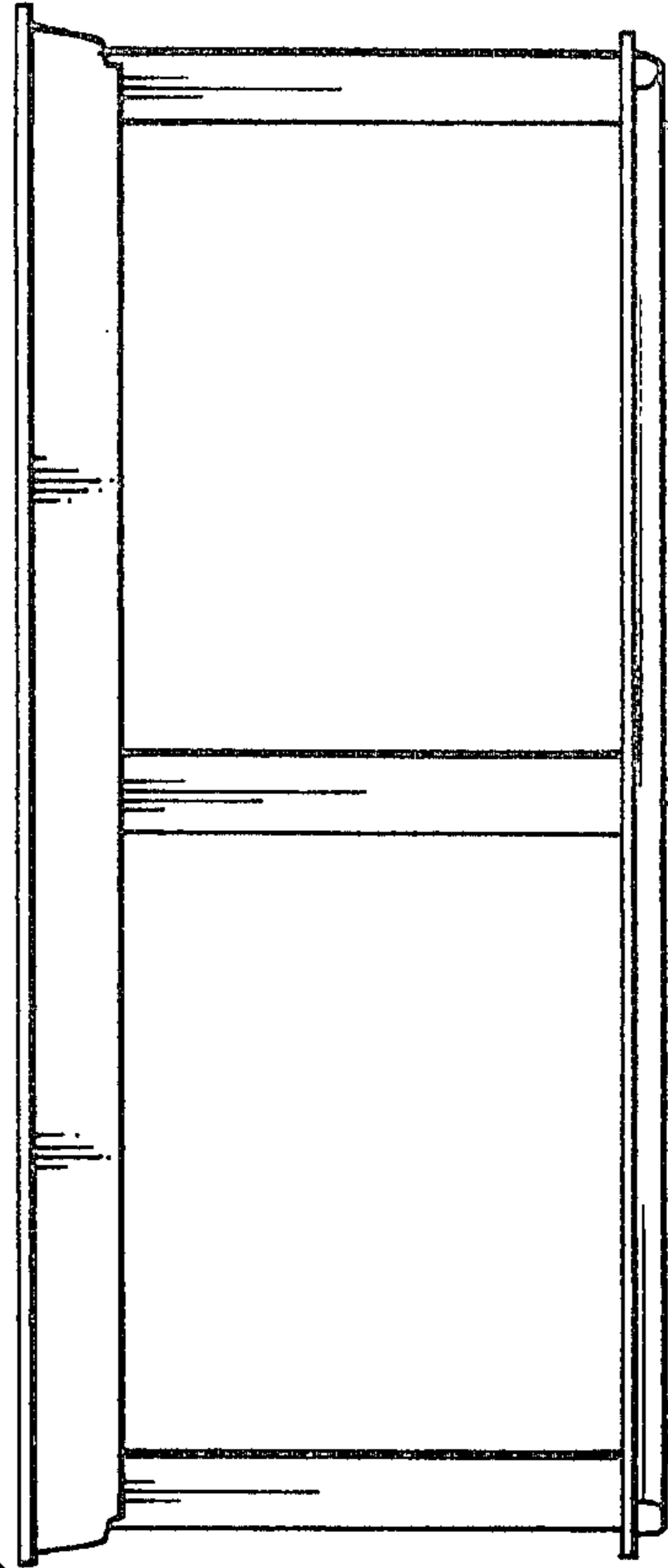


Fig. 2

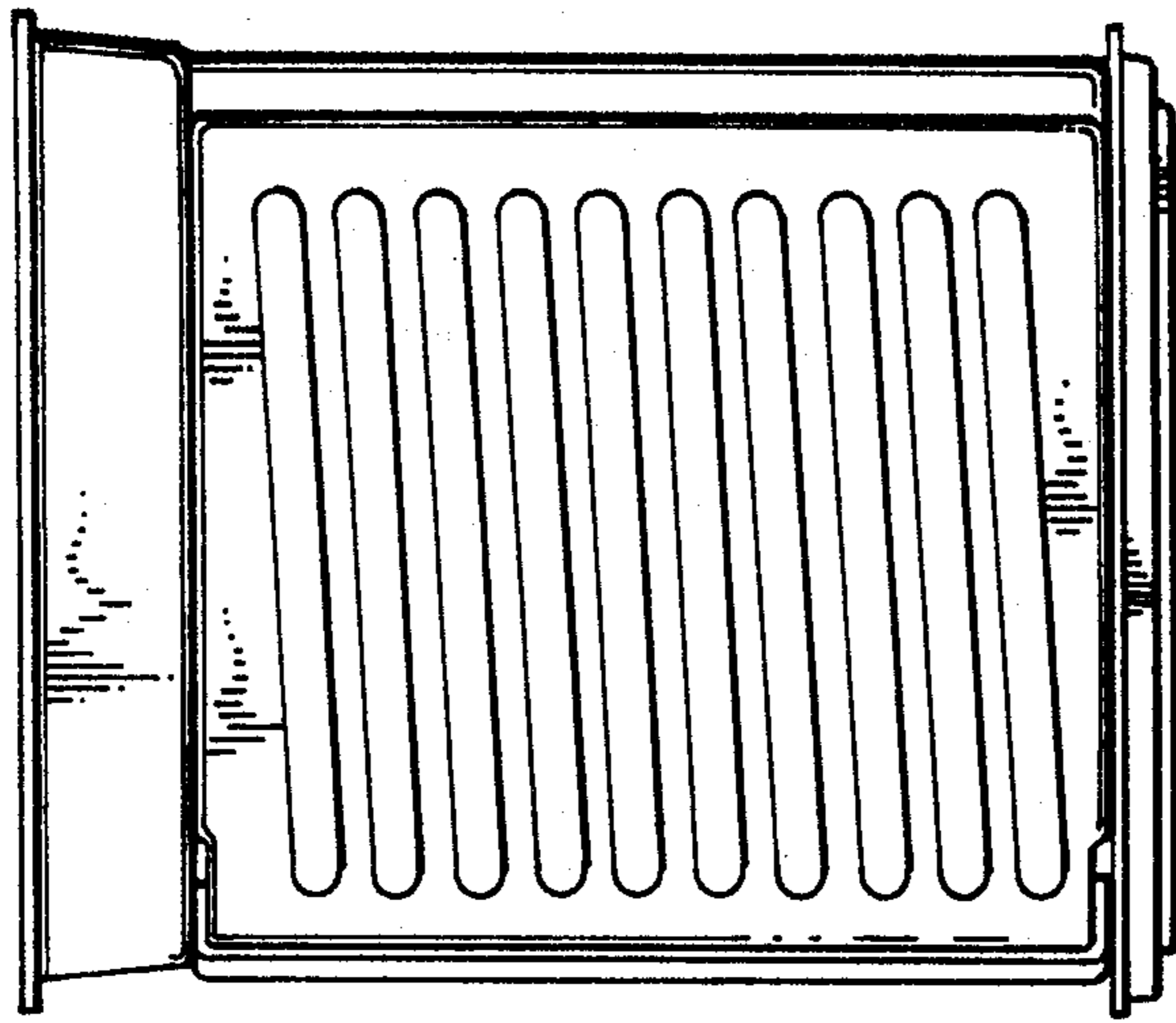


Fig. 5

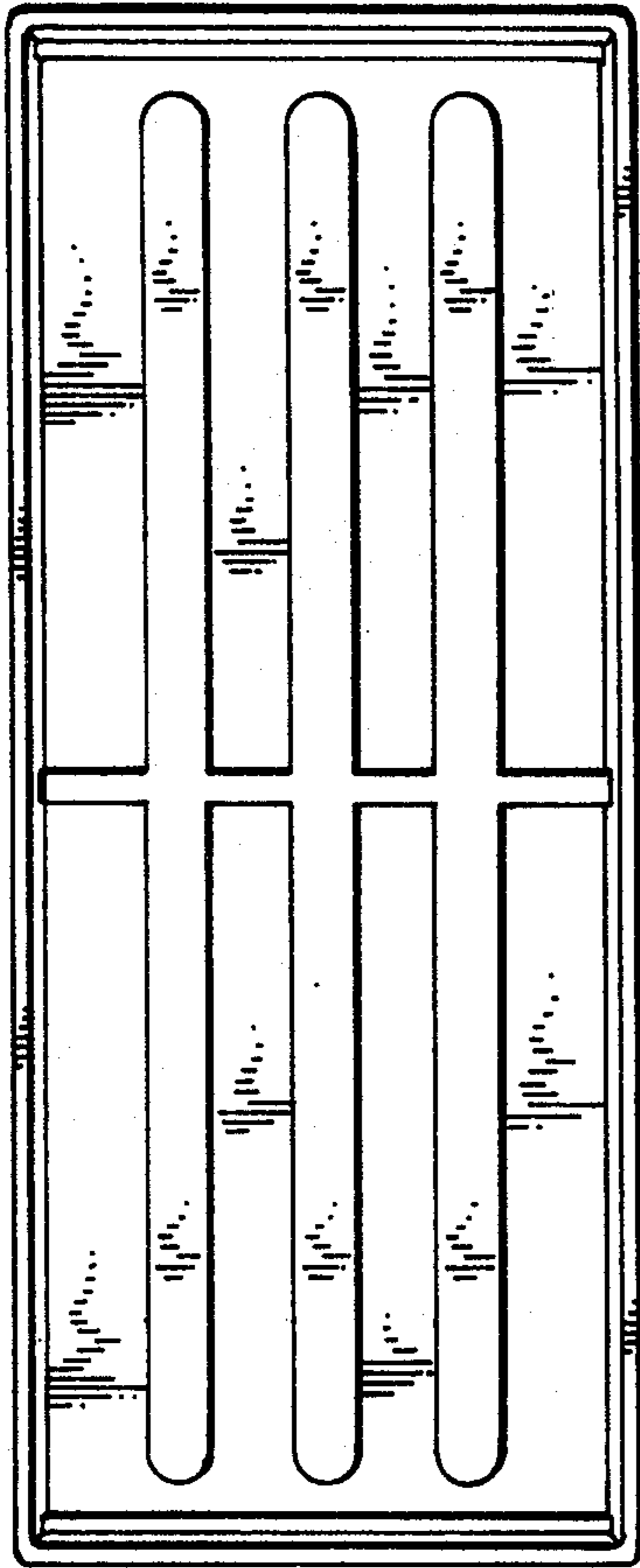


Fig. 3

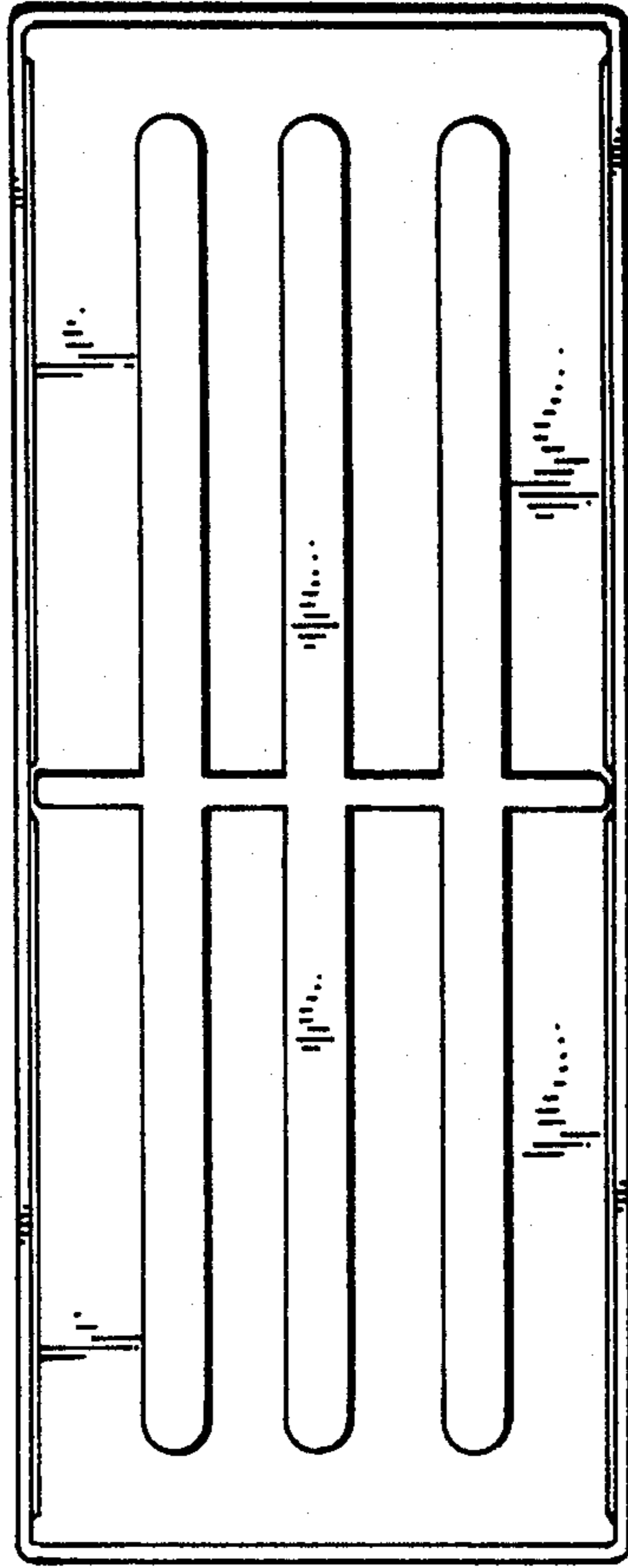


Fig. 4