

[54] **CONTINUOUS ELECTRICAL TRACK SYSTEM**

[75] **Inventor: Michael Humphreys, London, England**

[73] **Assignee: Electrak International Limited, London, England**

[\*\*] **Term: 14 Years**

[21] **Appl. No.: 345,317**

[22] **Filed: Feb. 3, 1982**

[30] **Foreign Application Priority Data**

Aug. 6, 1981 [GB] United Kingdom ..... 1001840  
[52] **U.S. Cl. .... D13/12; D13/24**  
[58] **Field of Search .... D13/12, 13, 24, 30; 339/20-23**

[56] **References Cited**

**U.S. PATENT DOCUMENTS**

3,622,938 11/1971 Ito et al. .... 339/21 R  
4,003,618 1/1977 Booty ..... 339/22 R

**OTHER PUBLICATIONS**

Wiremold Co. Surface Metal Raceways/Multi-Outlet Systems Catalog, 1967, p. 3, Raceway-2 piece #2600.

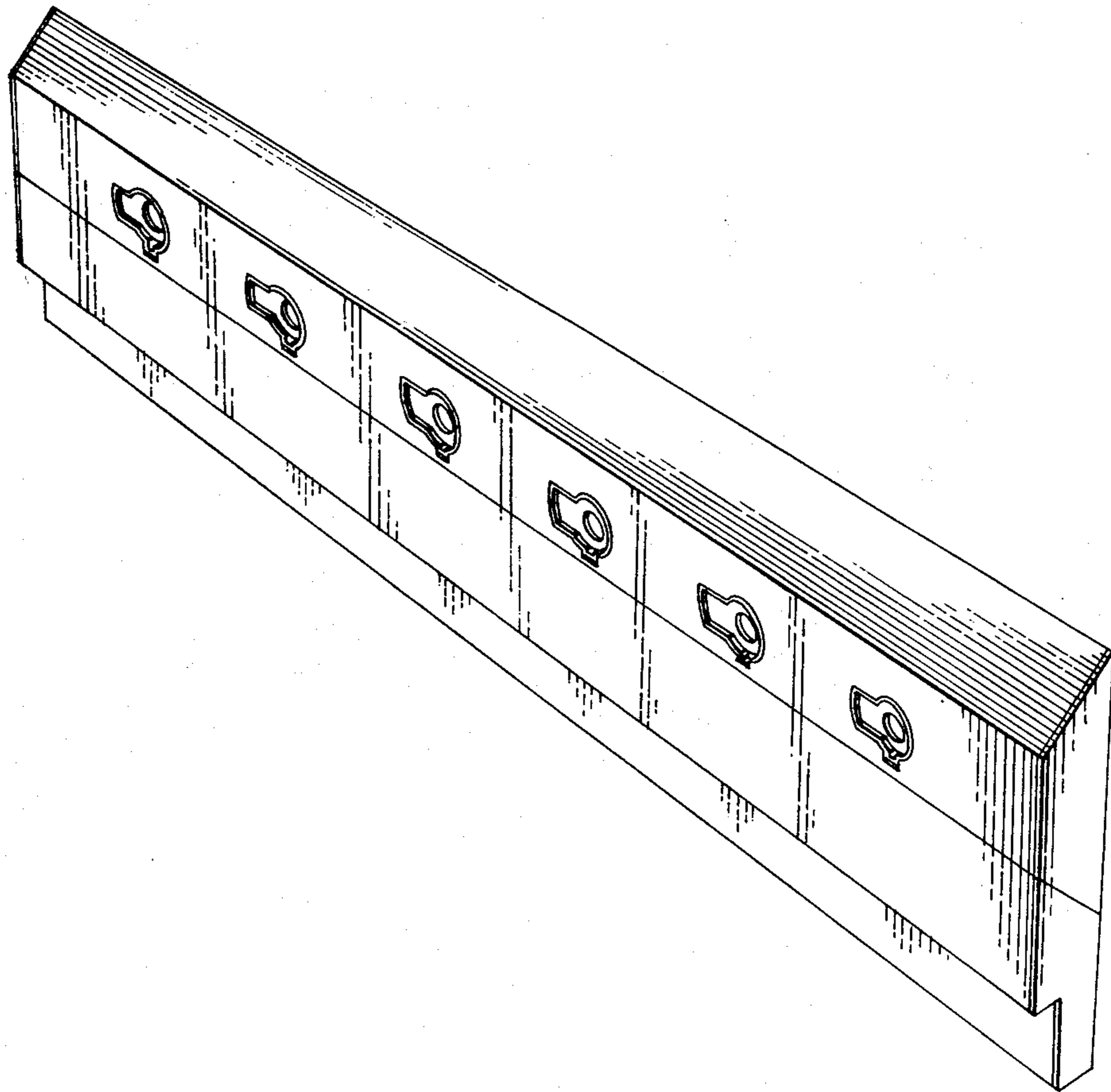
*Primary Examiner*—Susan J. Lucas  
*Attorney, Agent, or Firm*—Krass & Young

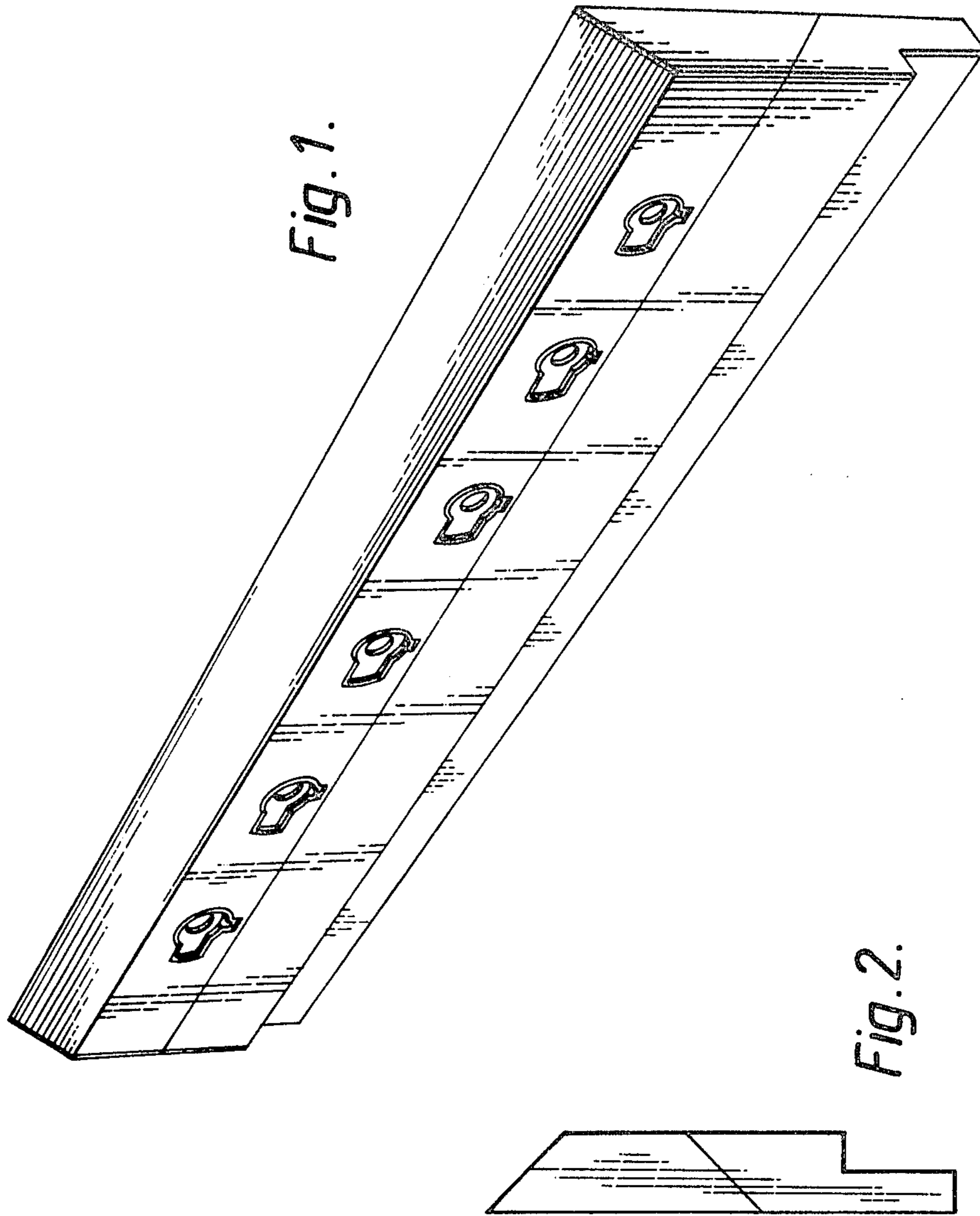
[57] **CLAIM**

The ornamental design for a continuous electrical track system, as shown.

**DESCRIPTION**

FIG. 1 is a perspective view of the continuous electrical track system showing my new design;  
FIG. 2 is an end elevational view thereof;  
FIG. 3 is a side elevational view thereof.





*Fig. 3.*

