

[54] **BATTERY TERMINAL CONNECTOR**

[76] **Inventor: Pietro Di Piazza, 12 Robinson Ave., Succasunna, N.J. 07876**

[**] **Term: 14 Years**

[21] **Appl. No.: 382,126**

[22] **Filed: May 26, 1982**

[52] **U.S. Cl. D13/10; D13/24**

[58] **Field of Search D13/10, 24; 339/224-240; 429/96-100, 121, 178, 179, 180, 65**

[56] **References Cited**

U.S. PATENT DOCUMENTS

1,794,757	3/1931	Cutler	339/226
1,854,328	4/1932	Binder	339/227 X
2,866,959	12/1958	Tecker	339/232
3,694,798	9/1972	Julian	339/224

FOREIGN PATENT DOCUMENTS

446955	3/1948	Canada	429/121
3010017	10/1980	Fed. Rep. of Germany	339/230
716896	10/1954	United Kingdom	339/227

Primary Examiner—Susan J. Lucas
Attorney, Agent, or Firm—Ralph R. Roberts

[57] **CLAIM**

The ornamental design for a battery terminal connector.

DESCRIPTION

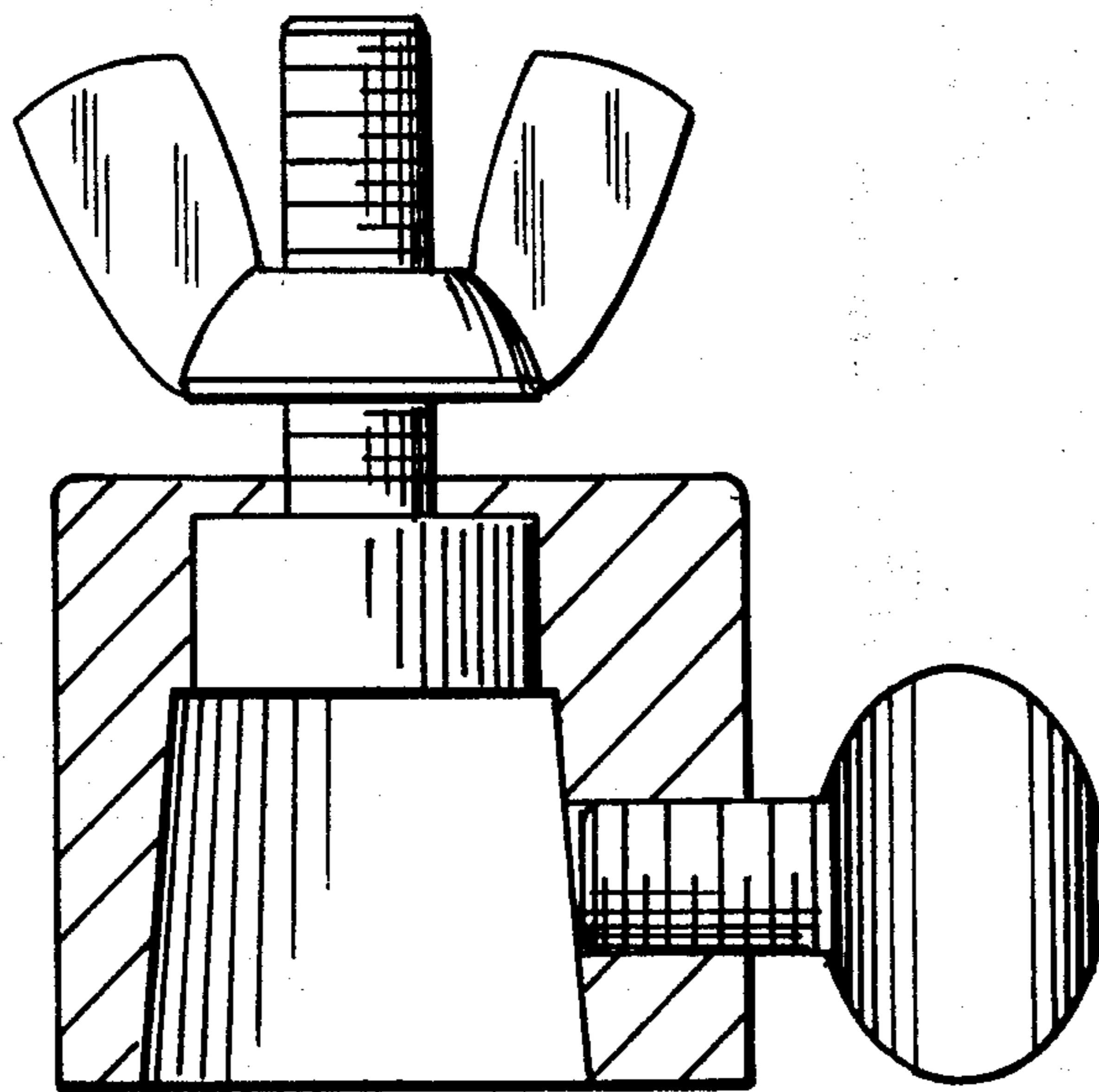
FIG. 1 is a top plan view of a battery terminal connector showing my new design.

FIG. 2 is a side elevational view thereof.

FIG. 3 is a front elevational view thereof.

FIG. 4 is a cross-sectional view thereof taken along line 4-4 of FIG. 1.

FIG. 5 is a bottom plan view thereof.



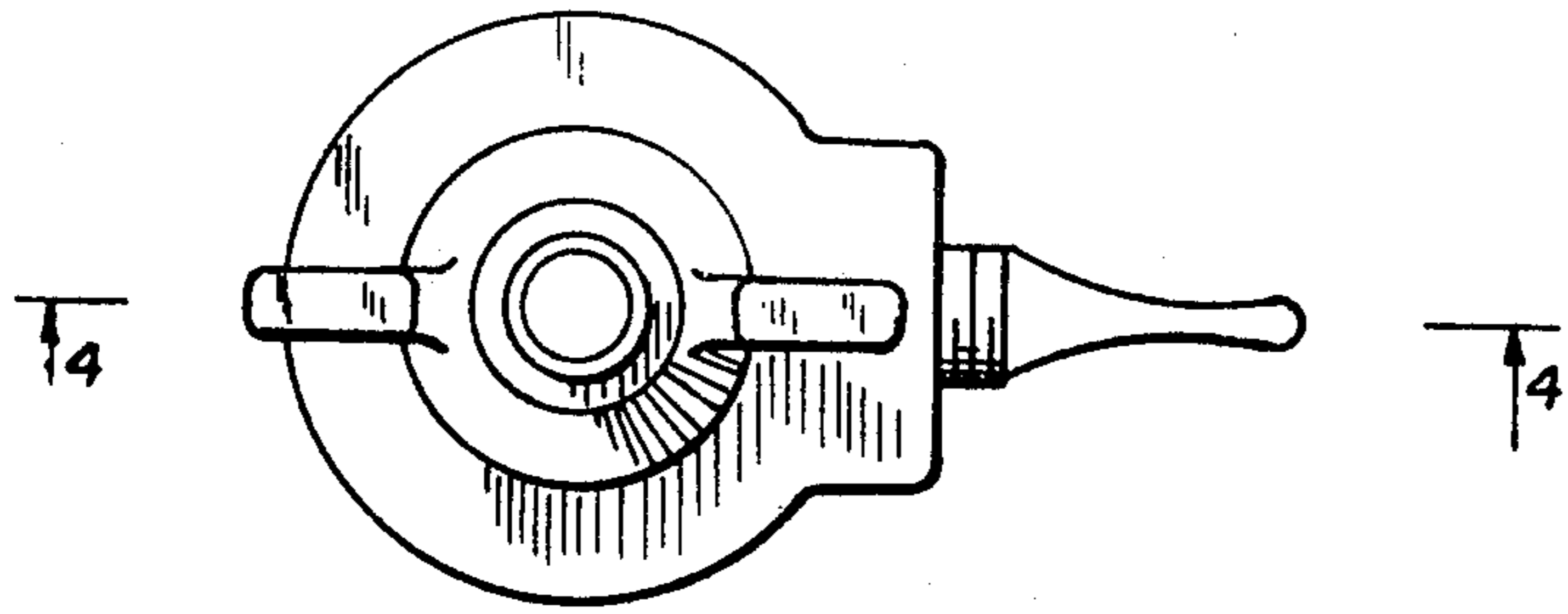


FIG. 1

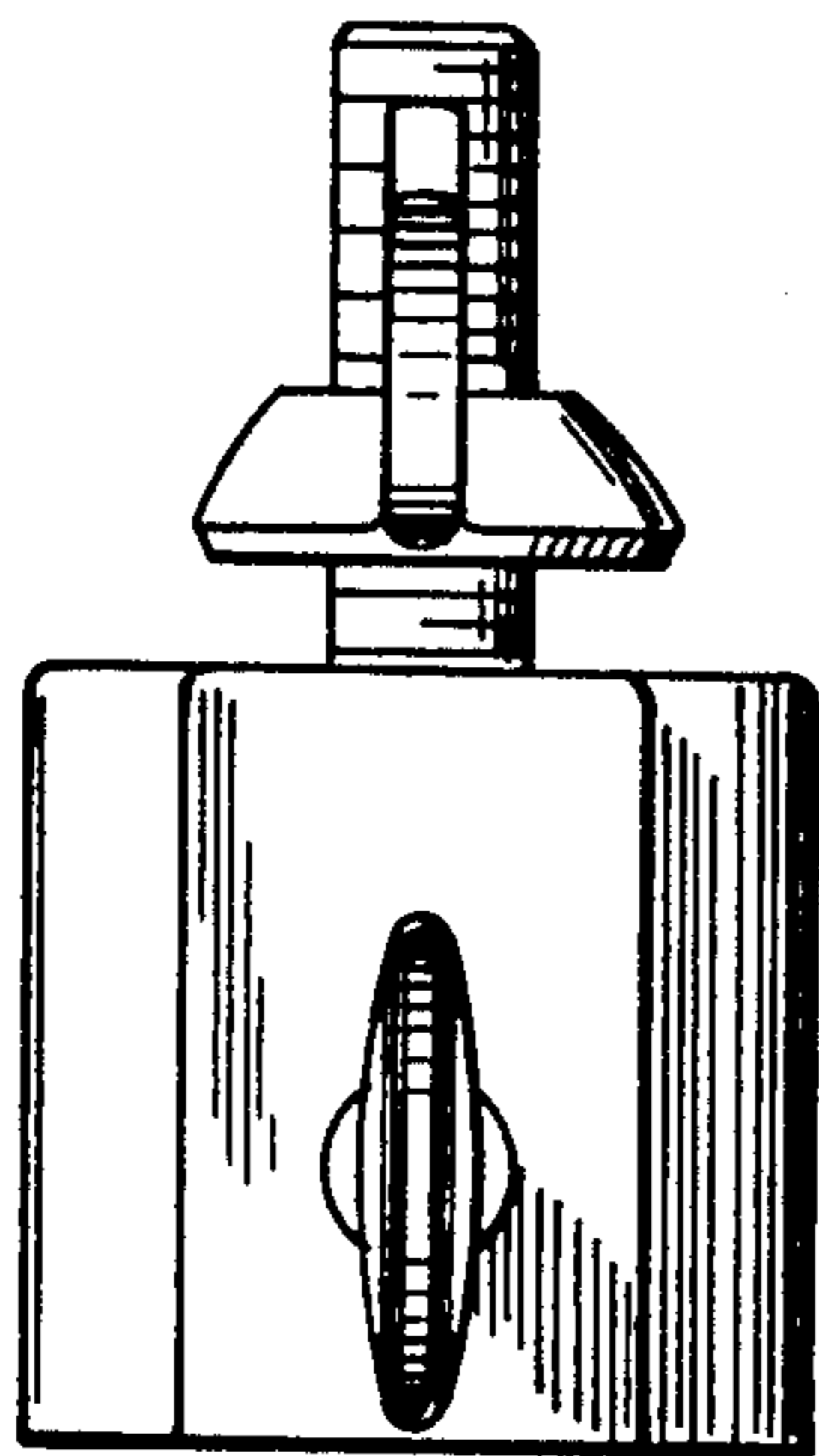


FIG. 2

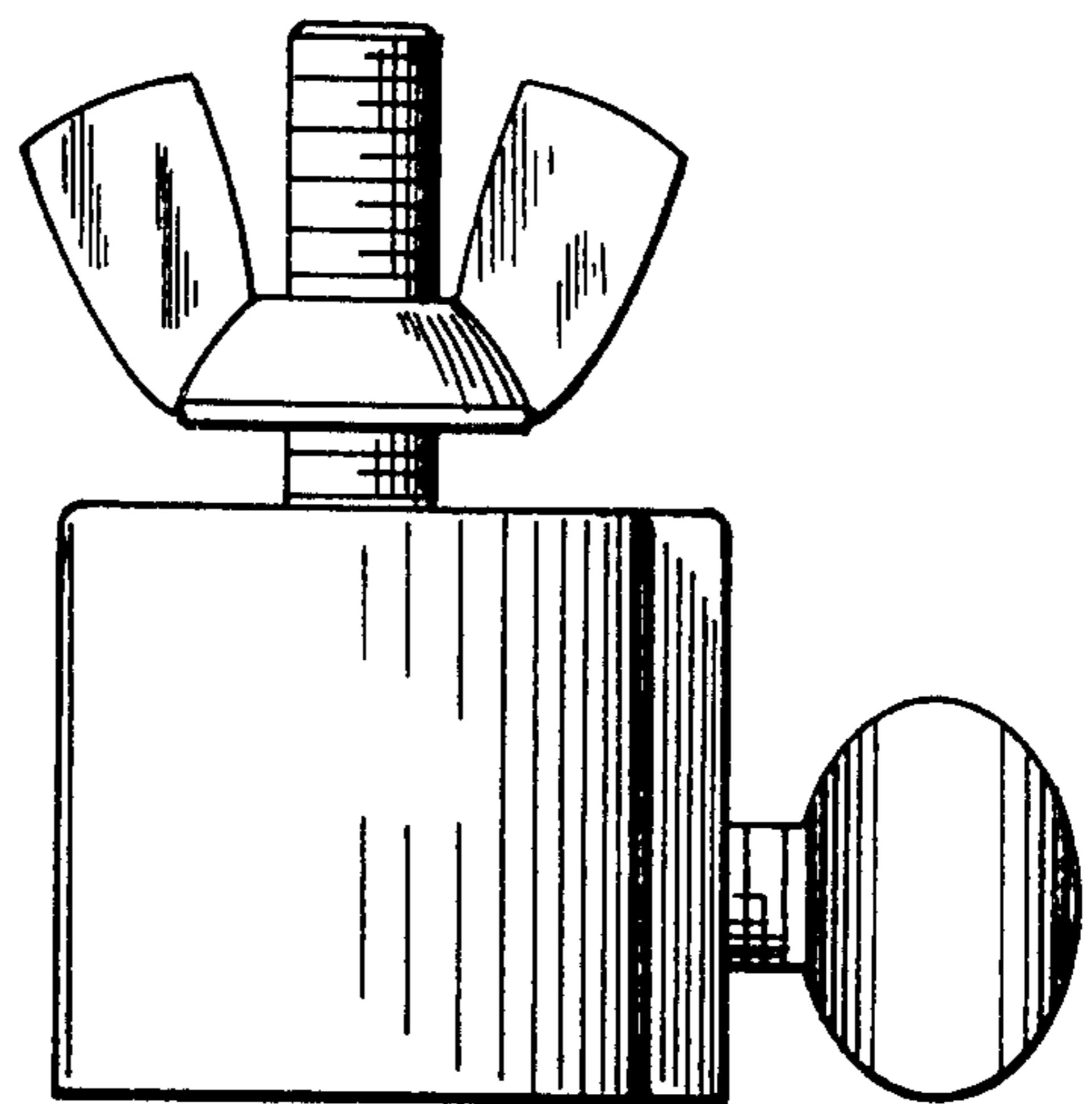


FIG. 3

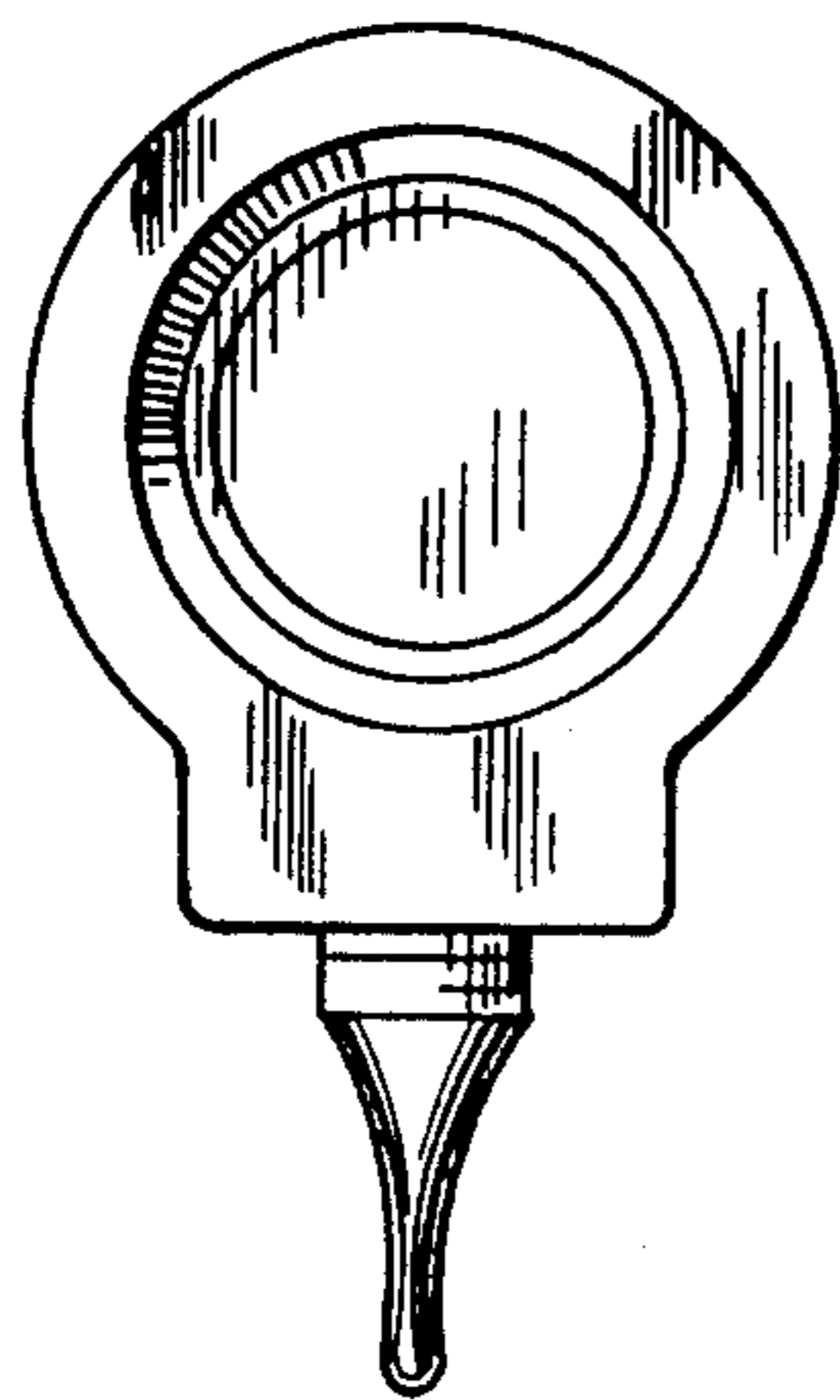


FIG. 5

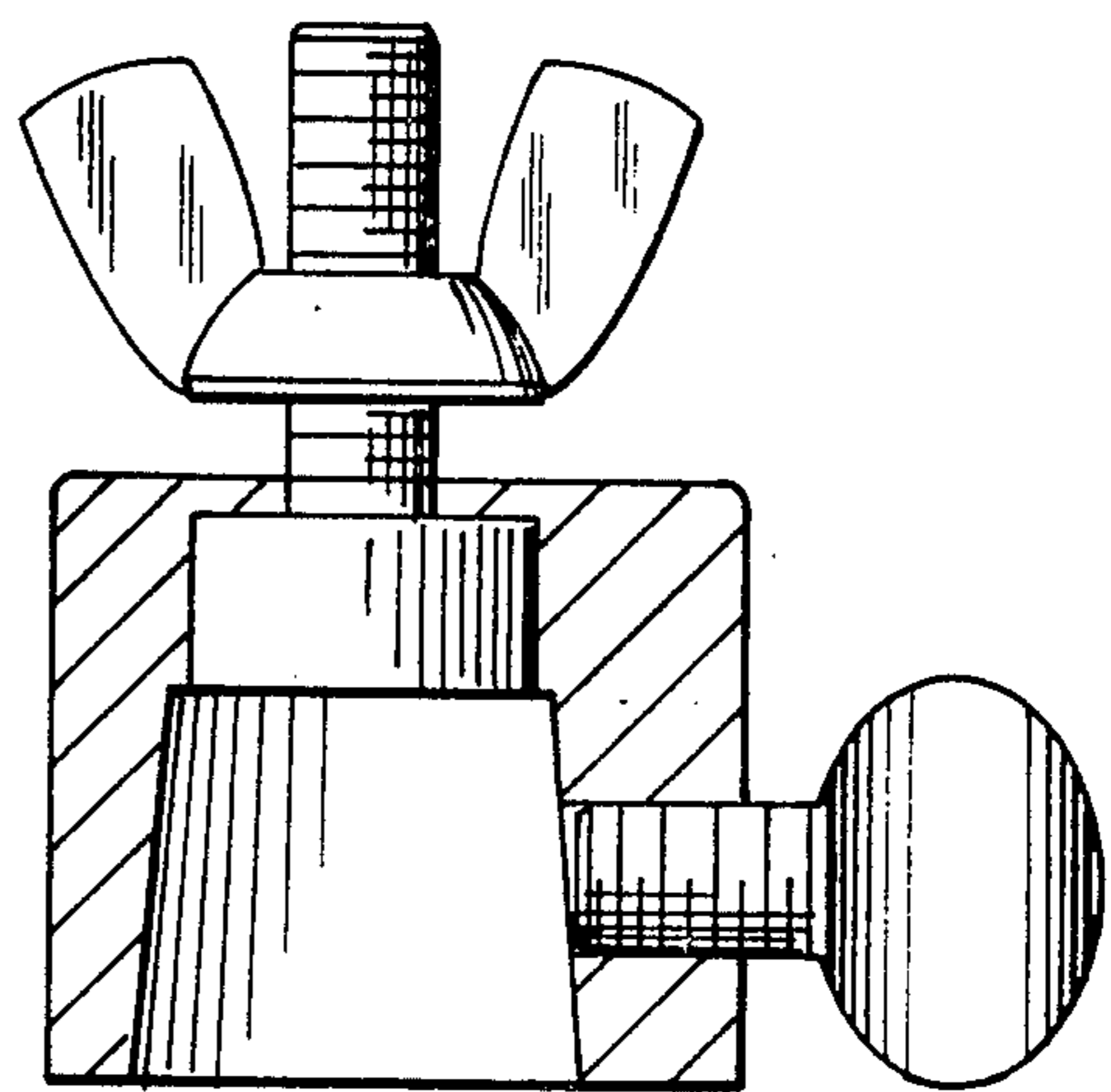


FIG. 4