

[54] BICYCLE WHEEL REFLECTOR

[76] Inventor: Kent M. L. Andersson, Rubingatan
39, S-421 62 Västra Frölunda,
Sweden

[**] Term: 14 Years

[21] Appl. No.: 380,256

[22] Filed: May 20, 1982

[30] Foreign Application Priority Data

Nov. 25, 1981 [SE] Sweden 81-2749

[52] U.S. Cl. D10/111

[58] Field of Search D10/111, 109-110,
D10/112-113, 121; 116/28, 63 R, 63 P;
350/97-109; 404/6-16; 301/375 A

[56] References Cited

U.S. PATENT DOCUMENTS

D. 243,514	3/1977	Coulembe	D10/111
D. 243,590	3/1977	Amoroso	D10/111
3,082,041	3/1963	Hamilton	301/375 A
3,947,070	3/1976	Brilando et al.	301/375 A

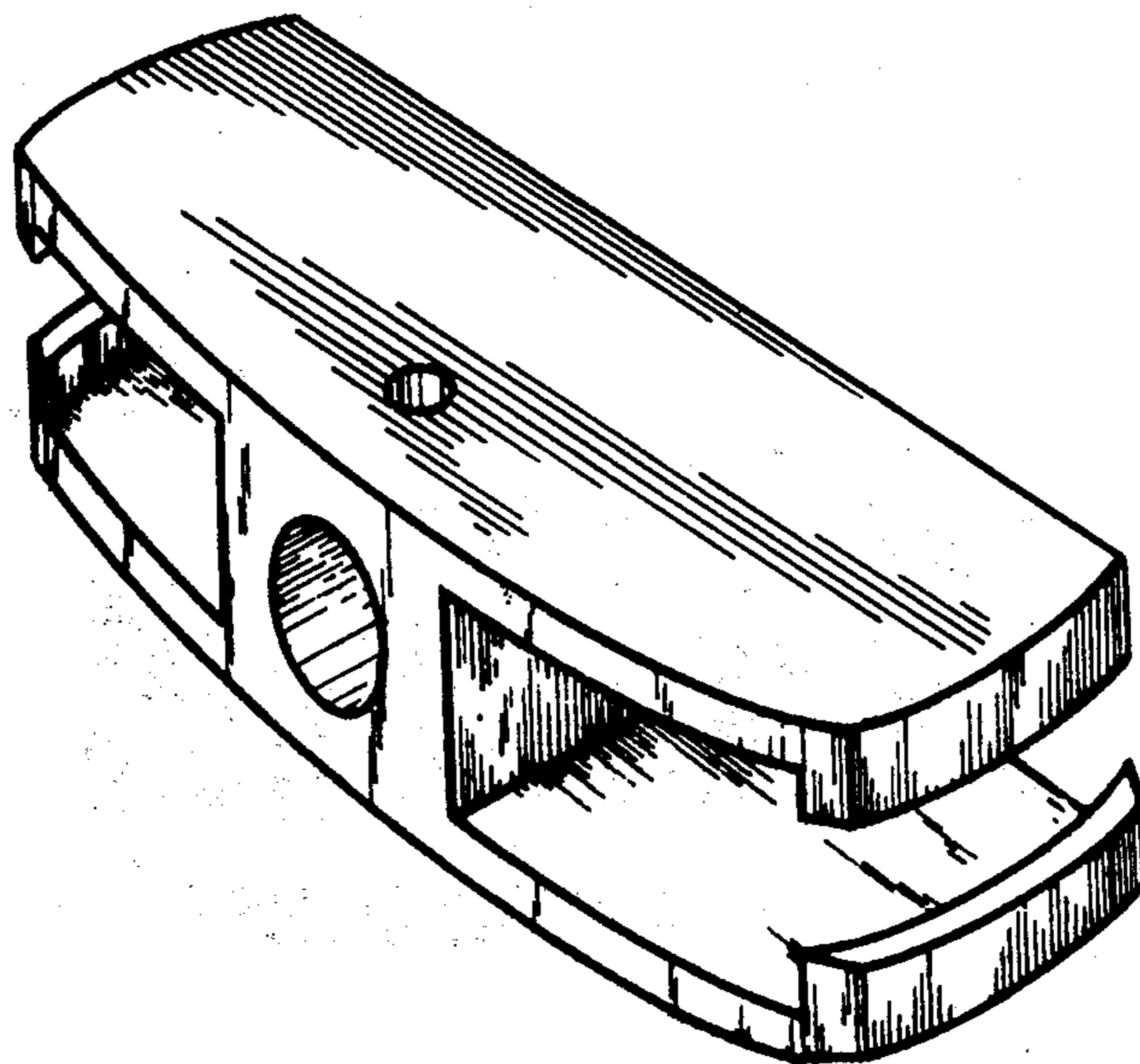
Primary Examiner—Wallace R. Burke
Assistant Examiner—Suzanne N. Gitlin
Attorney, Agent, or Firm—Harness, Dickey & Pierce

[57] CLAIM

The ornamental design for bicycle wheel reflector, as shown.

DESCRIPTION

FIG. 1 is a top, end and one side perspective view of a bicycle wheel reflector showing my new design;
FIG. 2 is a bottom and one side perspective view thereof.



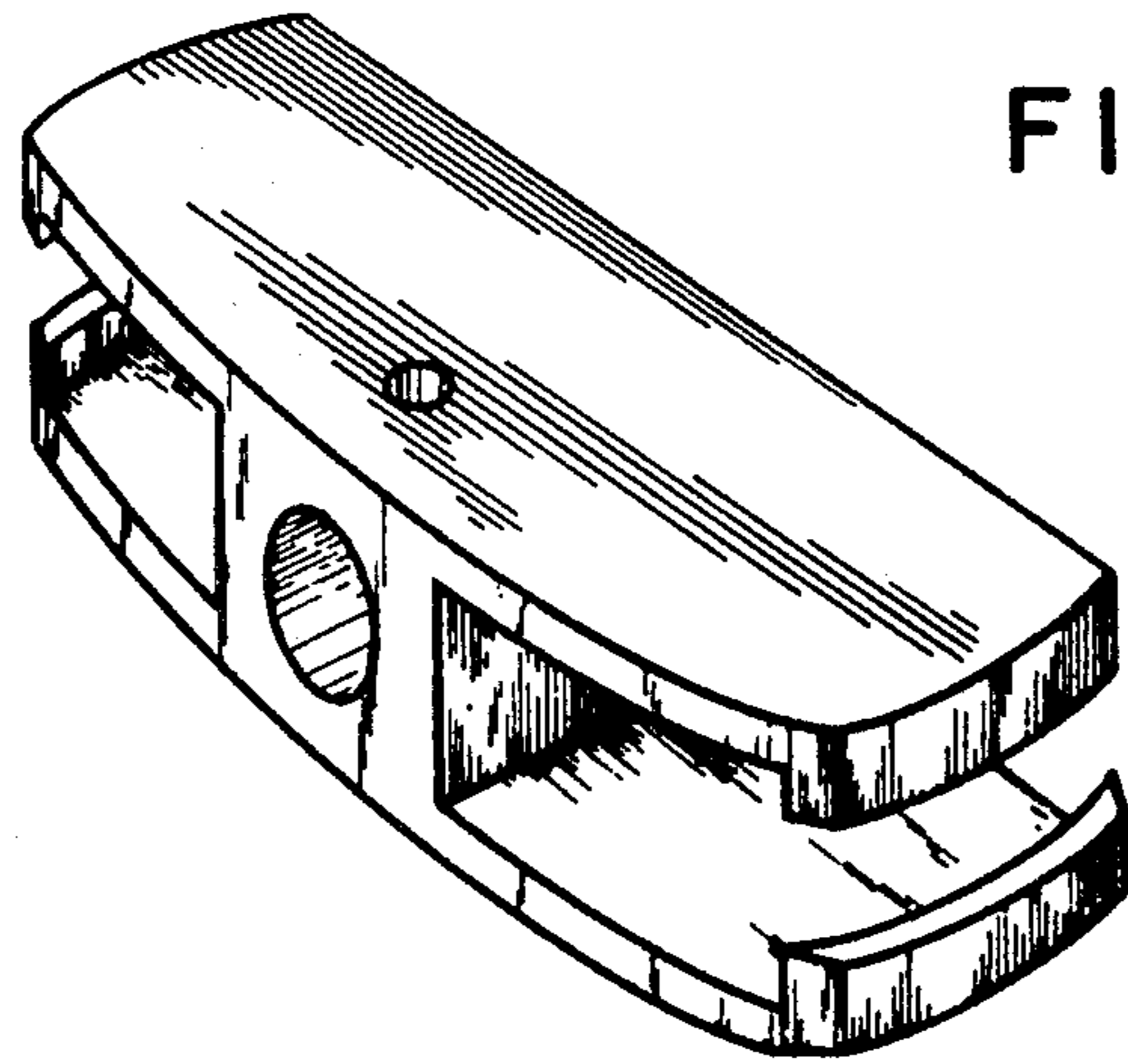


FIG. 1

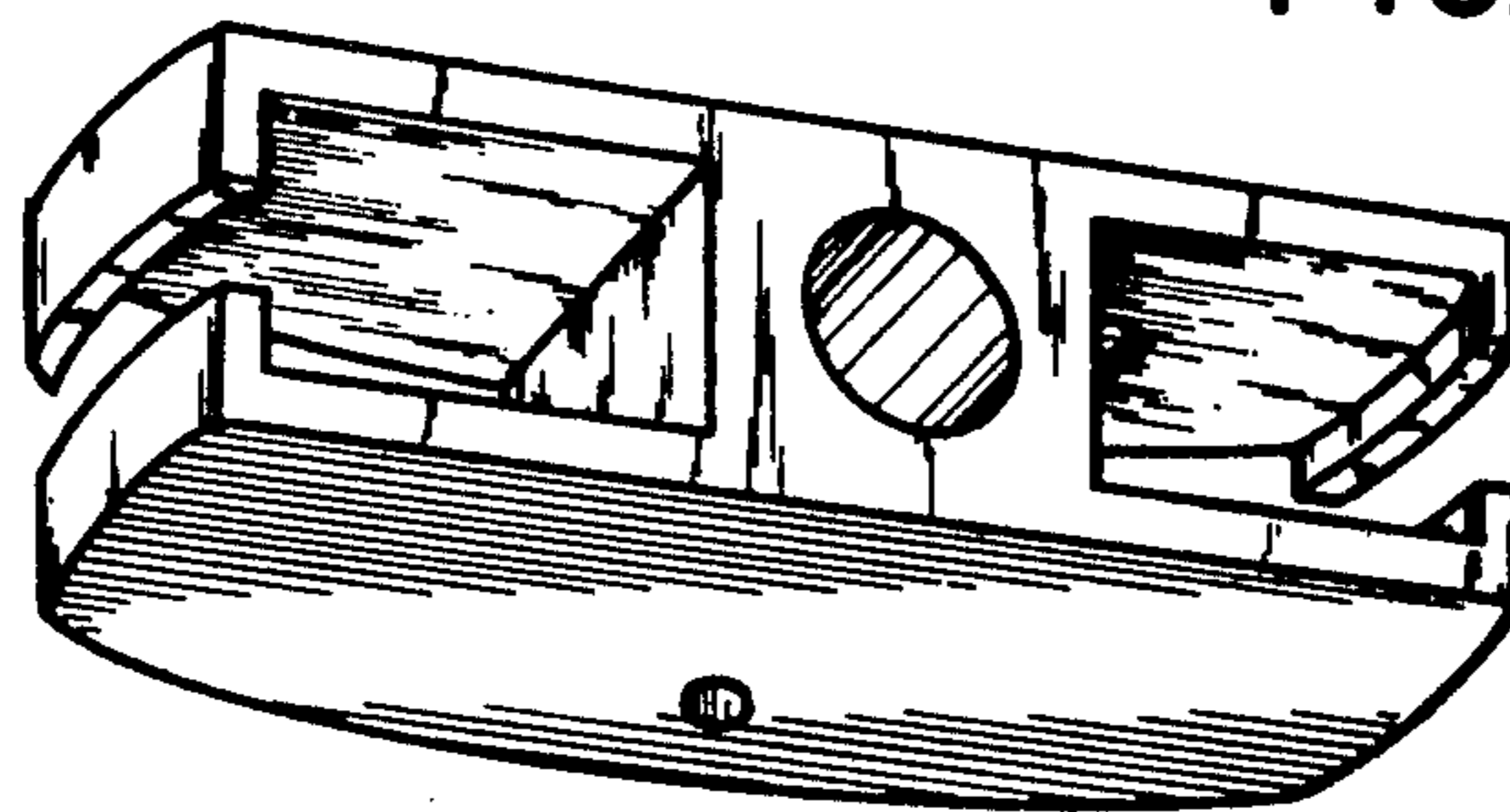


FIG. 2