

[54] **SPRING NUT LOCK**

[75] **Inventor: Peter A. Peroni, Pottstown, Pa.**

[73] **Assignee: LaFrance Corporation, Philadelphia, Pa.**

[\*\*] **Term: 14 Years**

[21] **Appl. No.: 430,269**

[22] **Filed: Sep. 30, 1982**

[52] **U.S. Cl. .... D8/399**

[58] **Field of Search ..... D8/397, 399; 411/119, 411/120, 147, 155, 427, 429, 430, 431, 435, 531-547**

[56] **References Cited**

**U.S. PATENT DOCUMENTS**

1,095,039 4/1914 Spencer ..... 411/155

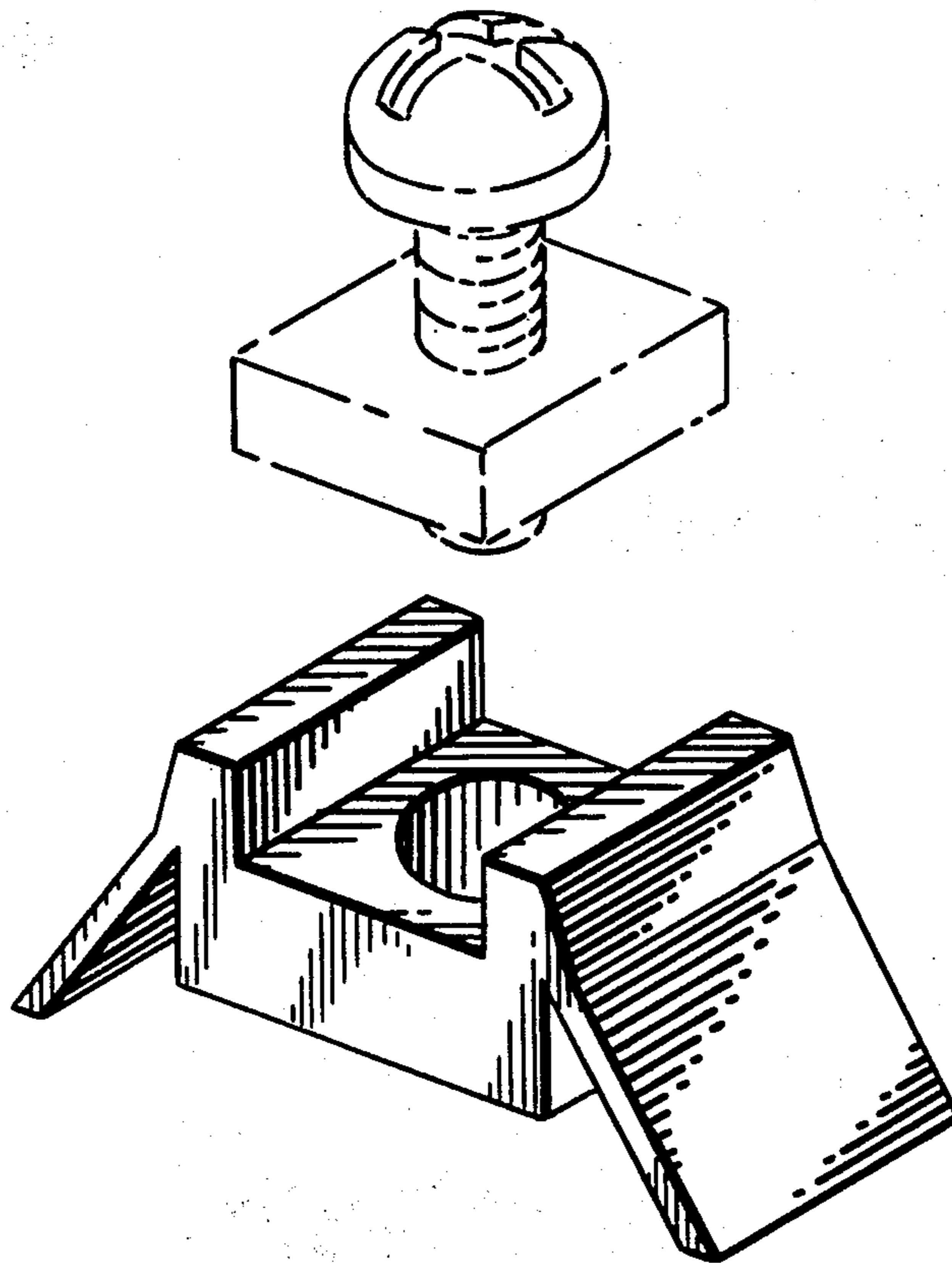
*Primary Examiner*—B. J. Bullock  
*Attorney, Agent, or Firm*—Connolly and Hutz

[57] **CLAIM**

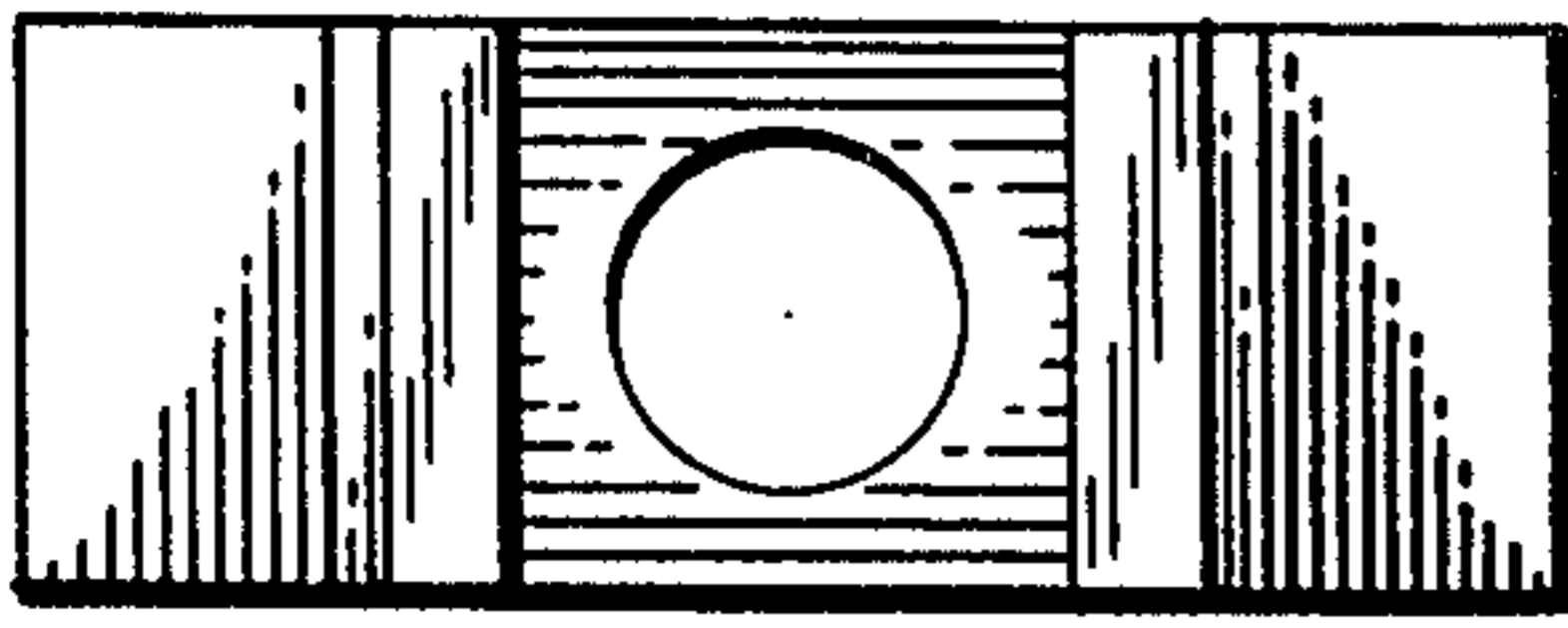
The ornamental design for the spring nut lock, as shown and described.

**DESCRIPTION**

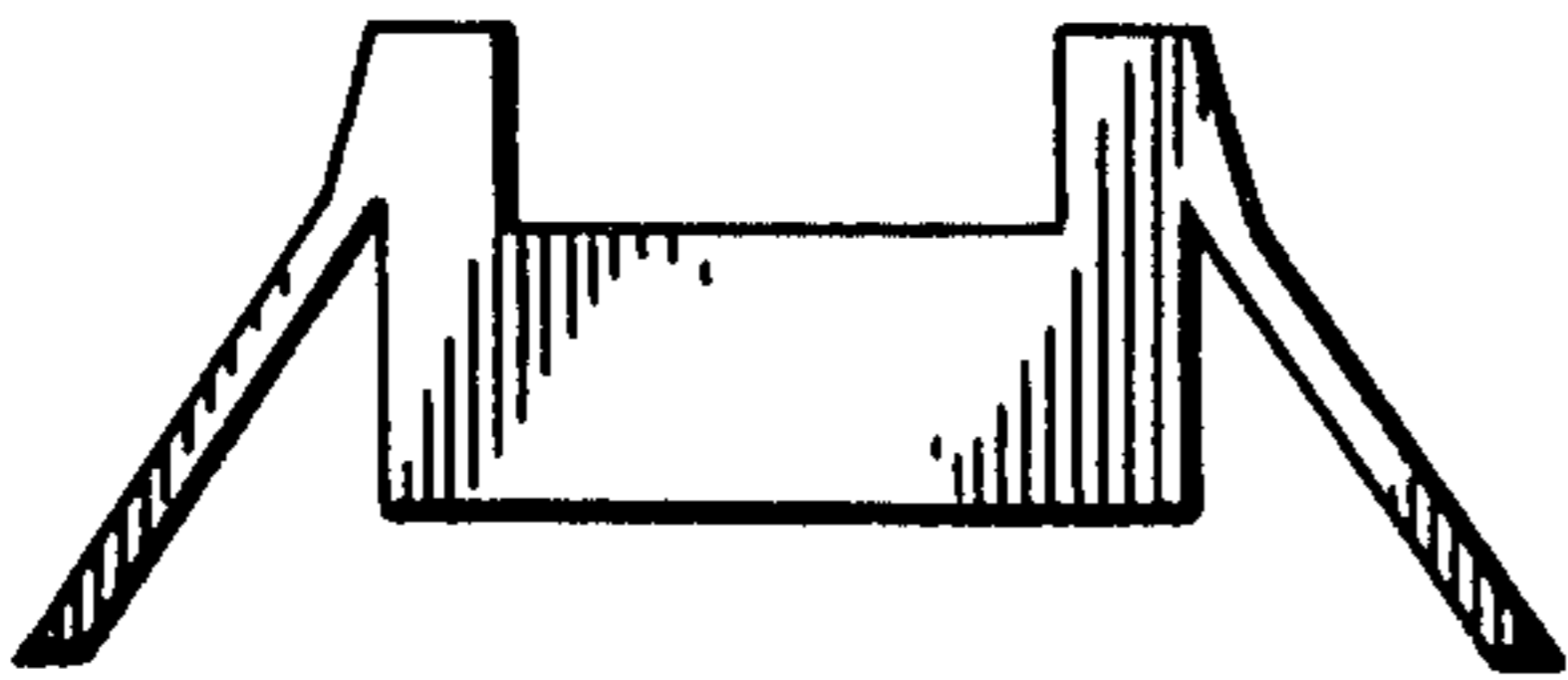
FIG. 1 is a side elevational view of a spring nut lock showing my new design;  
FIG. 2 is a top plan view thereof;  
FIG. 3 is a bottom plan view thereof;  
FIG. 4 is an end elevational view thereof;  
FIG. 5 is a perspective view thereof, the nut and bolt being shown in broken lines for illustrative purposes only.



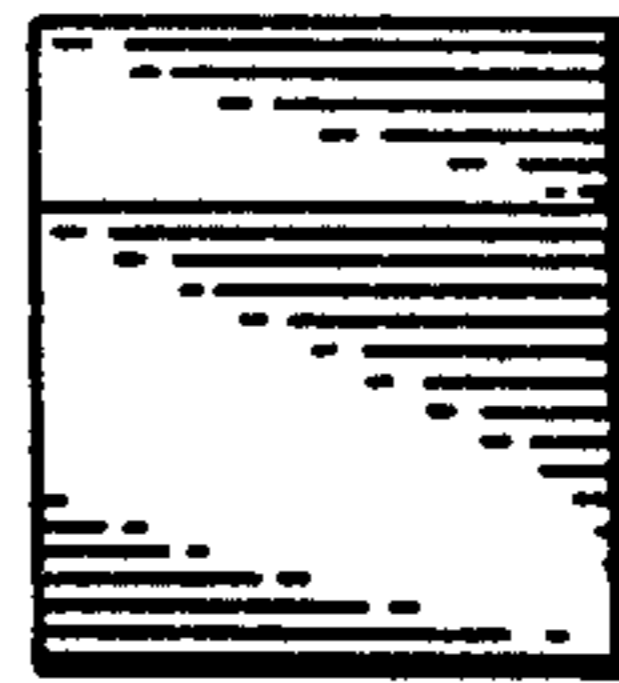
*Fig. 2.*



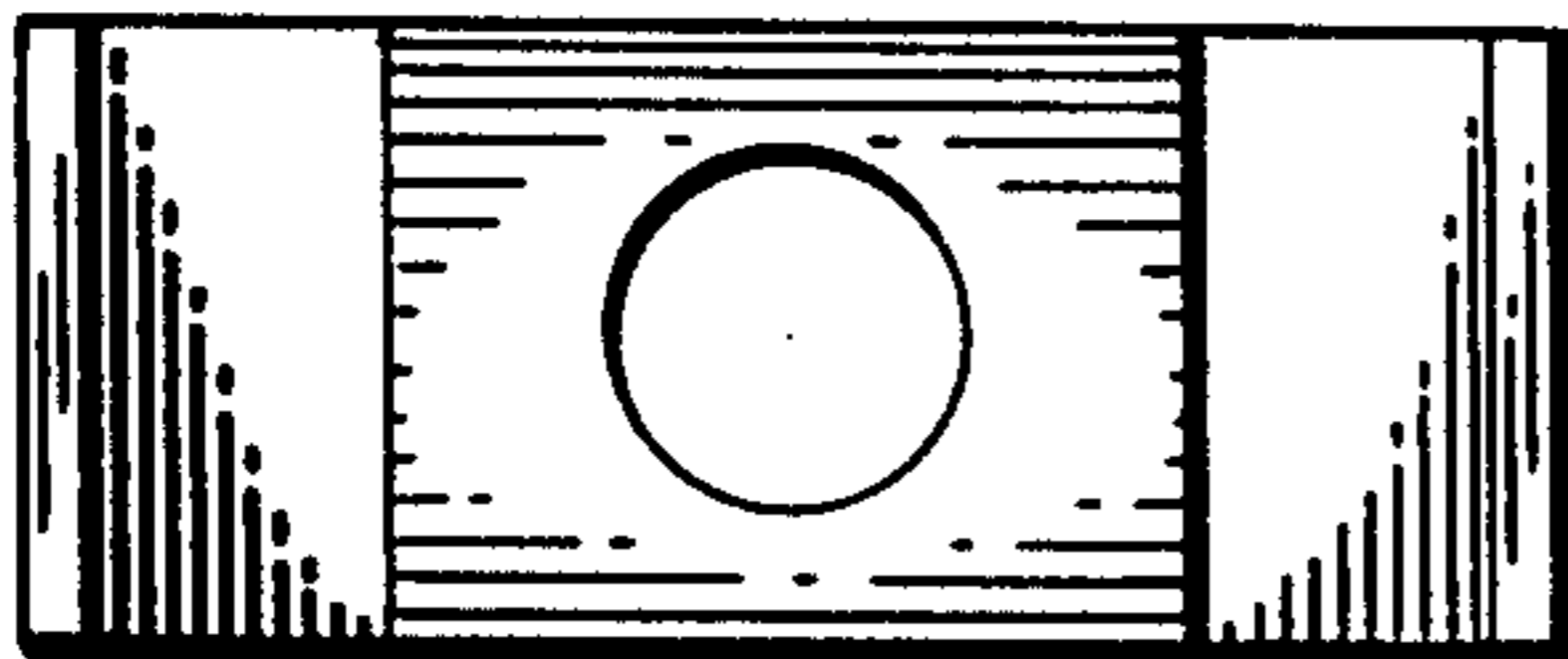
*Fig. 1.*



*Fig. 4.*



*Fig. 3.*



*Fig. 5.*

