

[54] MOUNTING BRACKET FOR AN AUTOMOTIVE AIR CONDITIONING COMPRESSOR

[76] Inventor: Shelton E. Taylor, 4112 Oakellar, Tampa, Fla. 33611

[\*\*] Term: 14 Years

[21] Appl. No.: 324,119

[22] Filed: Nov. 23, 1981

Related U.S. Application Data

[63] Continuation-in-part of Ser. No. 263,159, May 13, 1981.

[52] U.S. Cl. .... D8/380

[58] Field of Search ..... D8/349, 354, 346, 366, D8/373, 380, 381, 371; 248/674, 300, 505, 316.8, 637

[56] References Cited

U.S. PATENT DOCUMENTS

Re. 25,157	2/1967	Tinnerman	248/505
D. 26,221	10/1896	Grell	D8/380
D. 28,359	3/1898	Ward	D8/380
D. 197,417	1/1964	Kirkpatrick	D8/380
D. 205,045	6/1966	Neill	D8/380
D. 215,141	9/1969	Harmsen	D8/380
D. 223,082	3/1972	Fromm	D8/354
D. 235,851	7/1975	Kitson	D8/380
D. 257,665	11/1980	Young	D8/371
D. 260,600	9/1981	Taylor	D8/380

D. 265,287	7/1982	Ziaylet	D8/373
1,784,045	12/1930	Clarke	24/674
2,662,988	12/1953	McKim	248/674
3,160,377	12/1964	Herzog	248/316.8 X
3,191,710	6/1965	Reynolds	248/674
3,265,340	8/1966	Attwood	D8/380
3,353,771	11/1967	Te Bow	248/637 X
4,056,250	11/1977	Uchiyama	248/674
4,097,012	6/1978	McIntyre	248/674
4,174,821	11/1979	Levine	248/300 X

OTHER PUBLICATIONS

Schöner Wohnen, May 1981, Keller Bracket & Shelf Display, p. 1065w, Items 22 & 11.

Primary Examiner—Wallace R. Burke

Assistant Examiner—Horace B. Fay

Attorney, Agent, or Firm—Stefan Stein

[57] CLAIM

The ornamental design for a mounting bracket for an automotive air conditioning compressor, as shown and described.

DESCRIPTION

FIG. 1 is a front view of a mounting bracket for an automotive air conditioning compressor showing my new design;

FIG. 2 is a rear view;

FIG. 3 is a left side elevational view;

FIG. 4 is a right side elevational view;

FIG. 5 is a top plan view;

FIG. 6 is a bottom plan view, and

FIG. 7 is a front and side perspective view thereof.

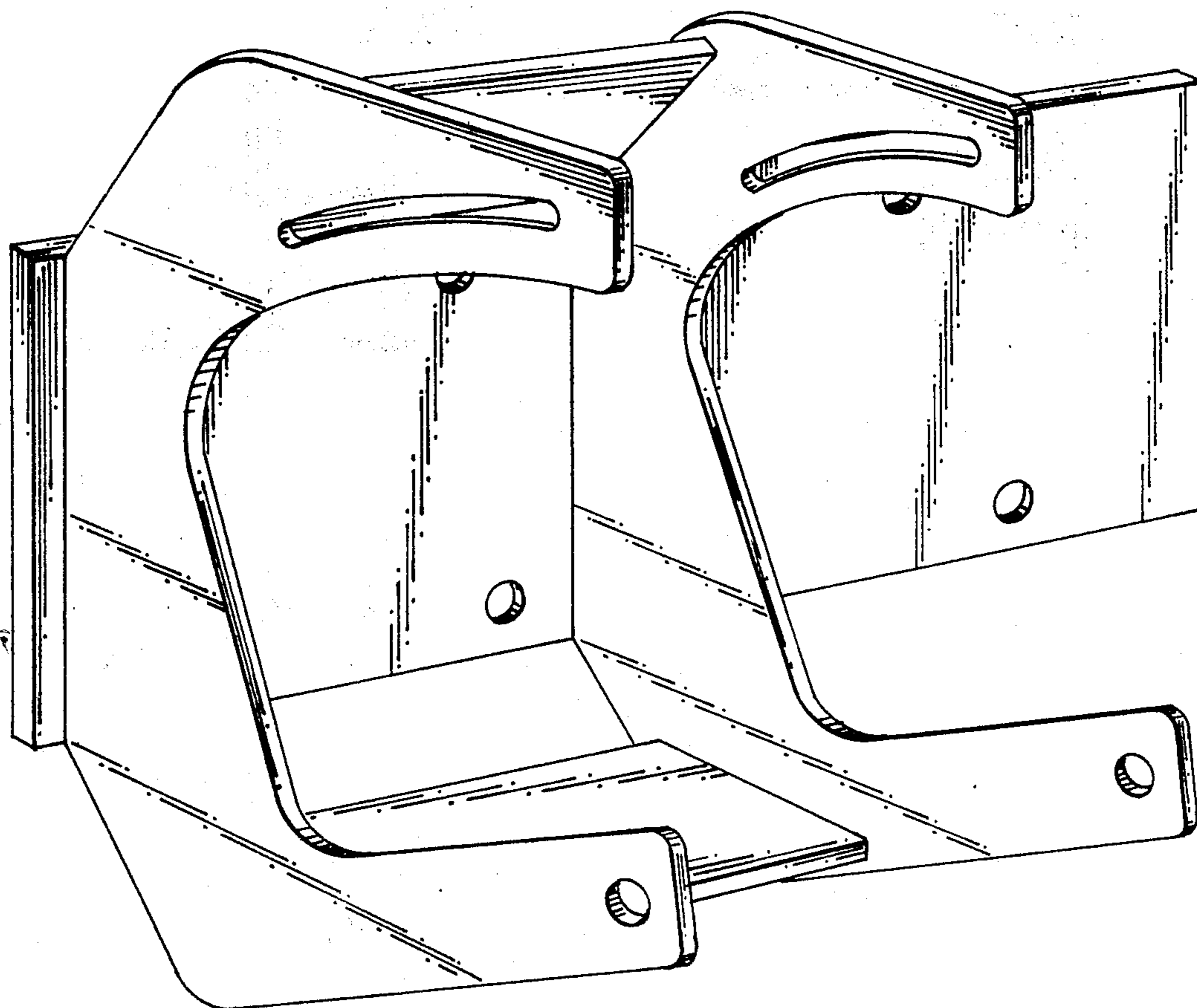


Fig. 1

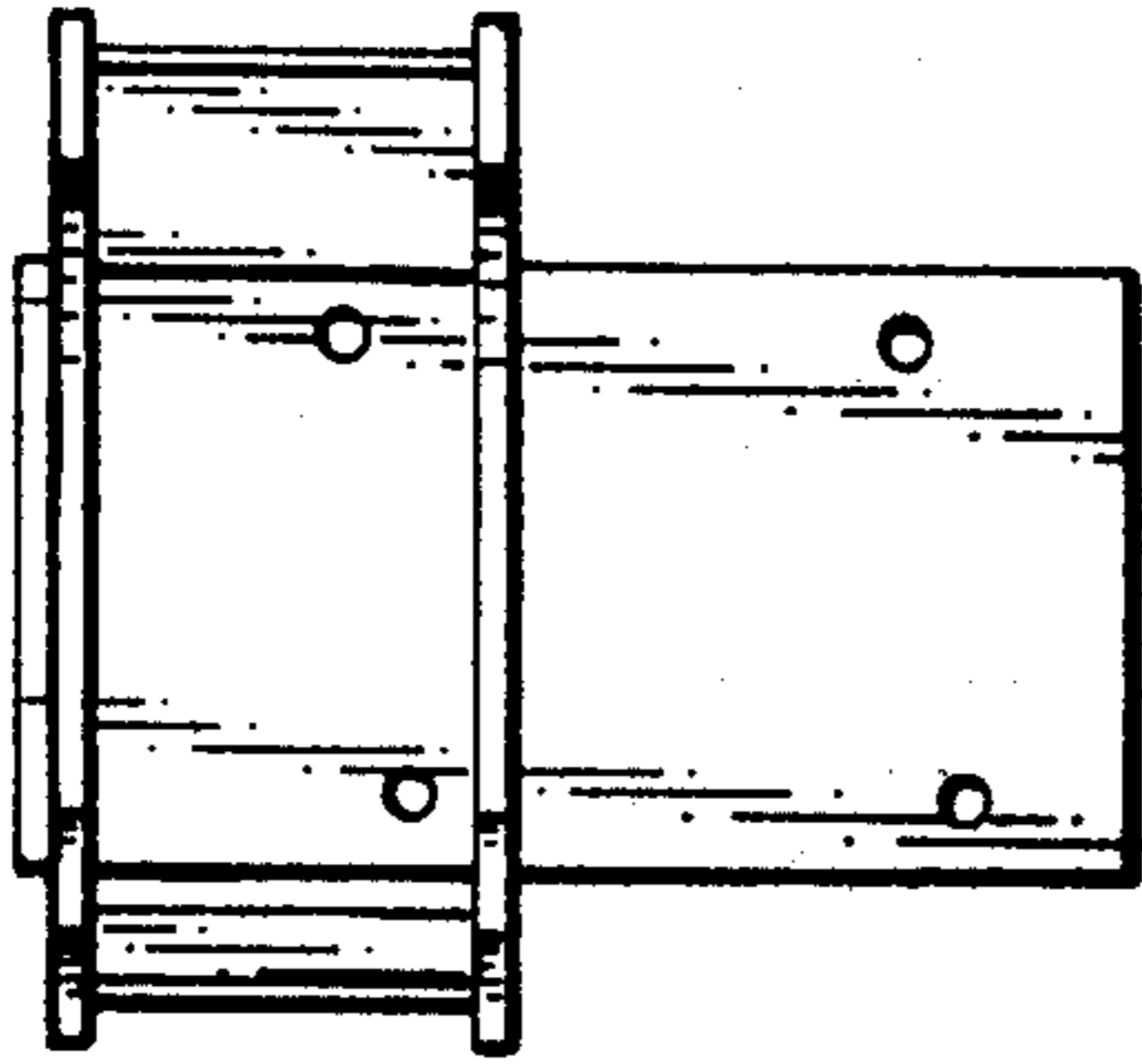


Fig. 2

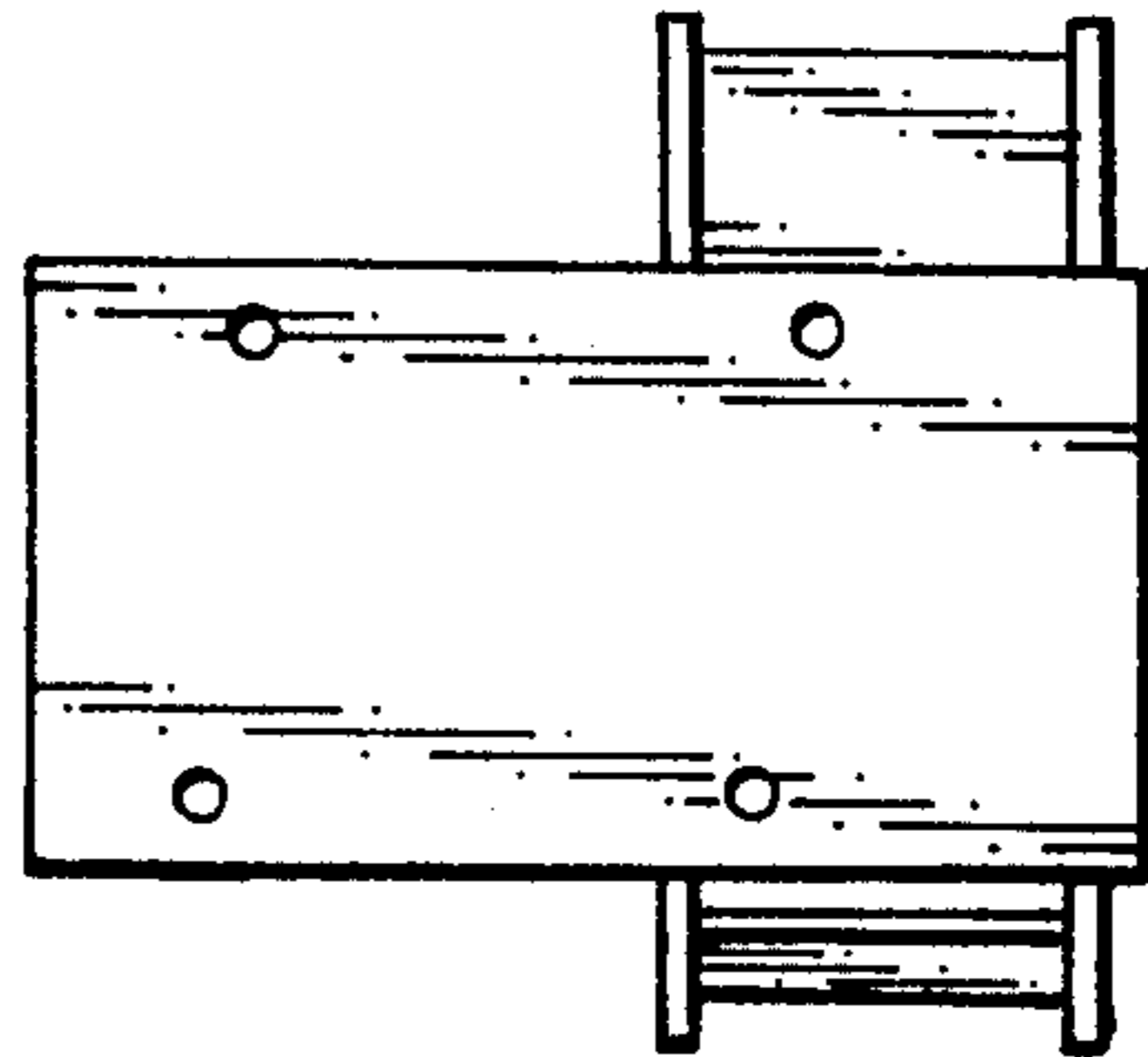


Fig. 3

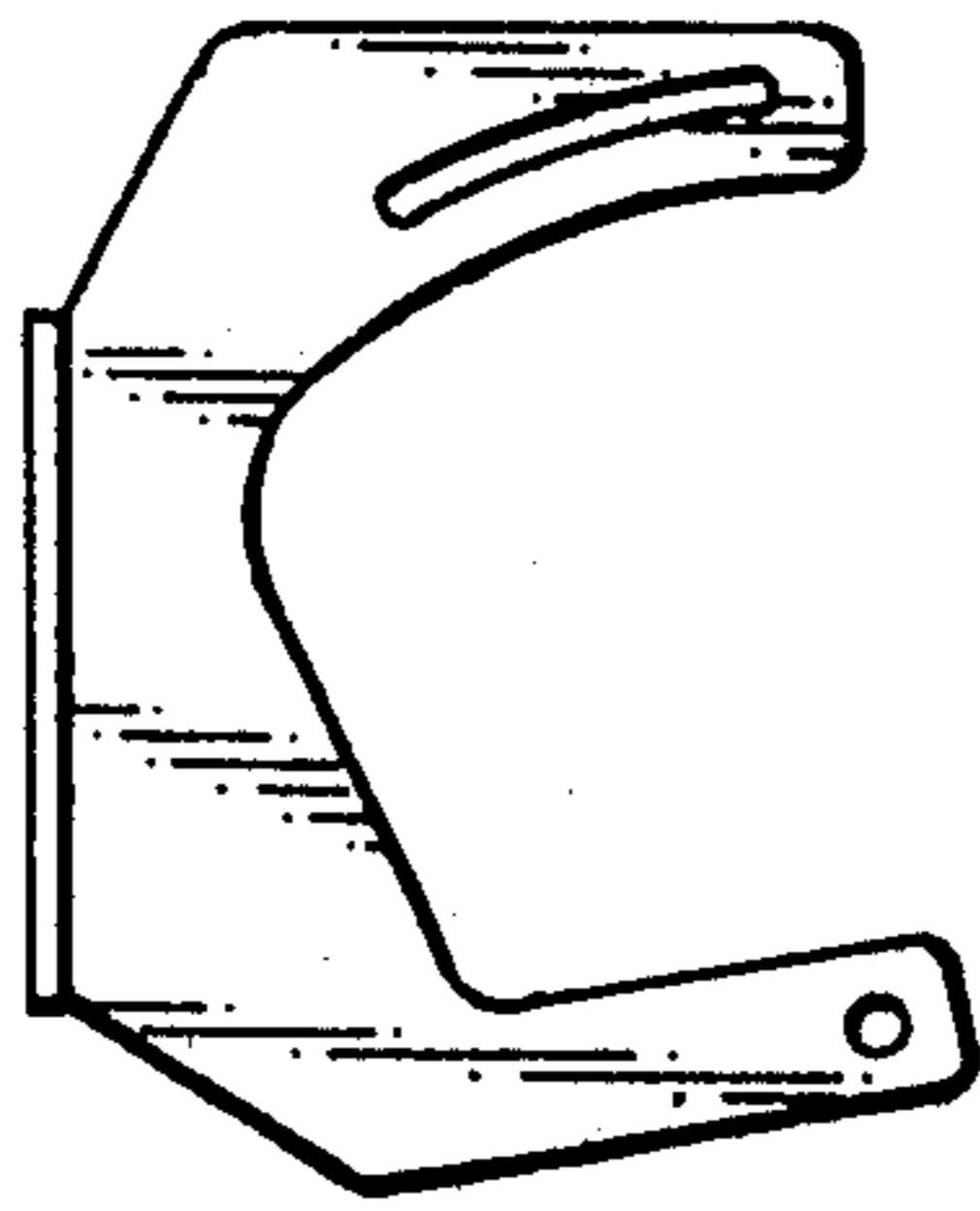


Fig. 4

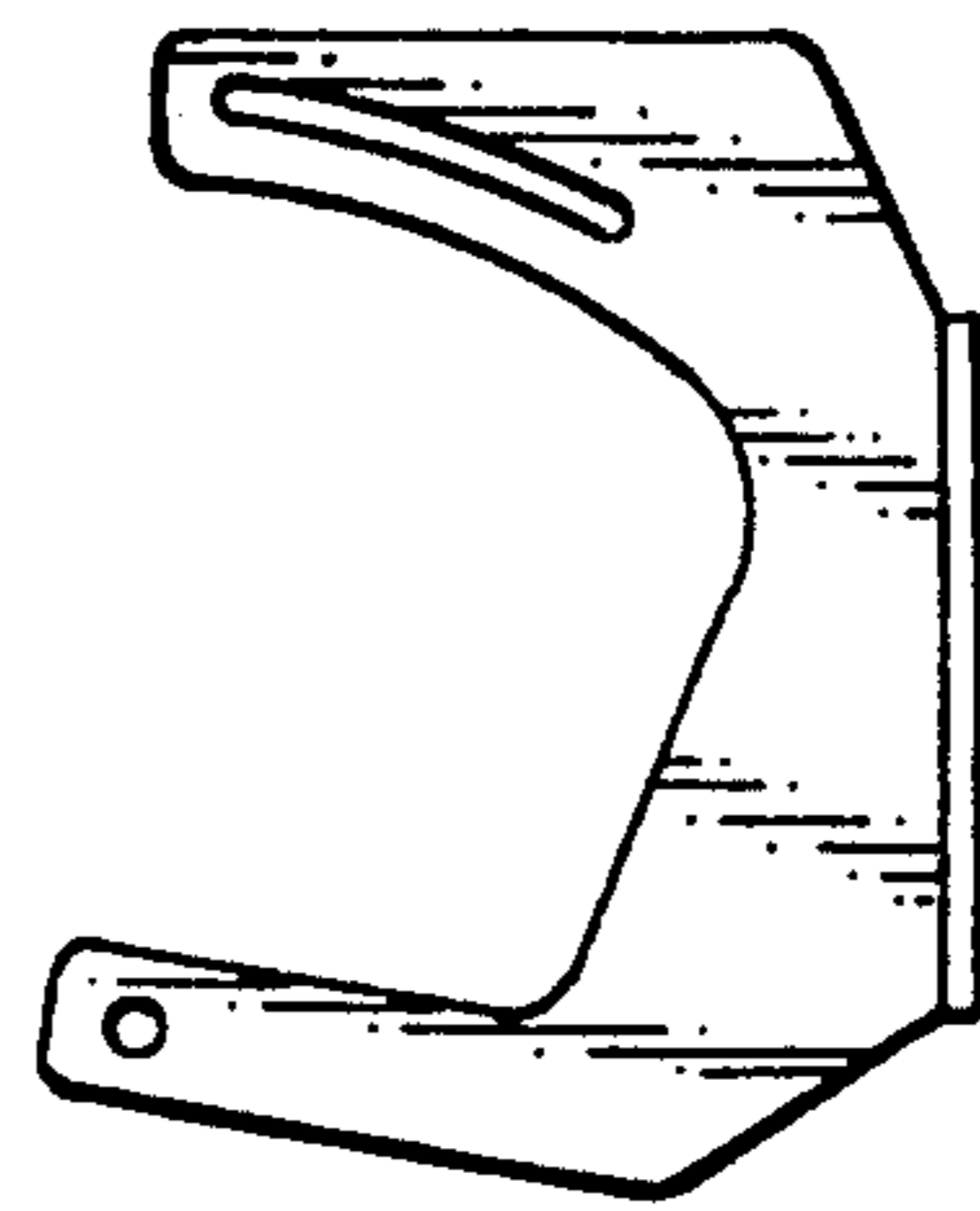


Fig. 5

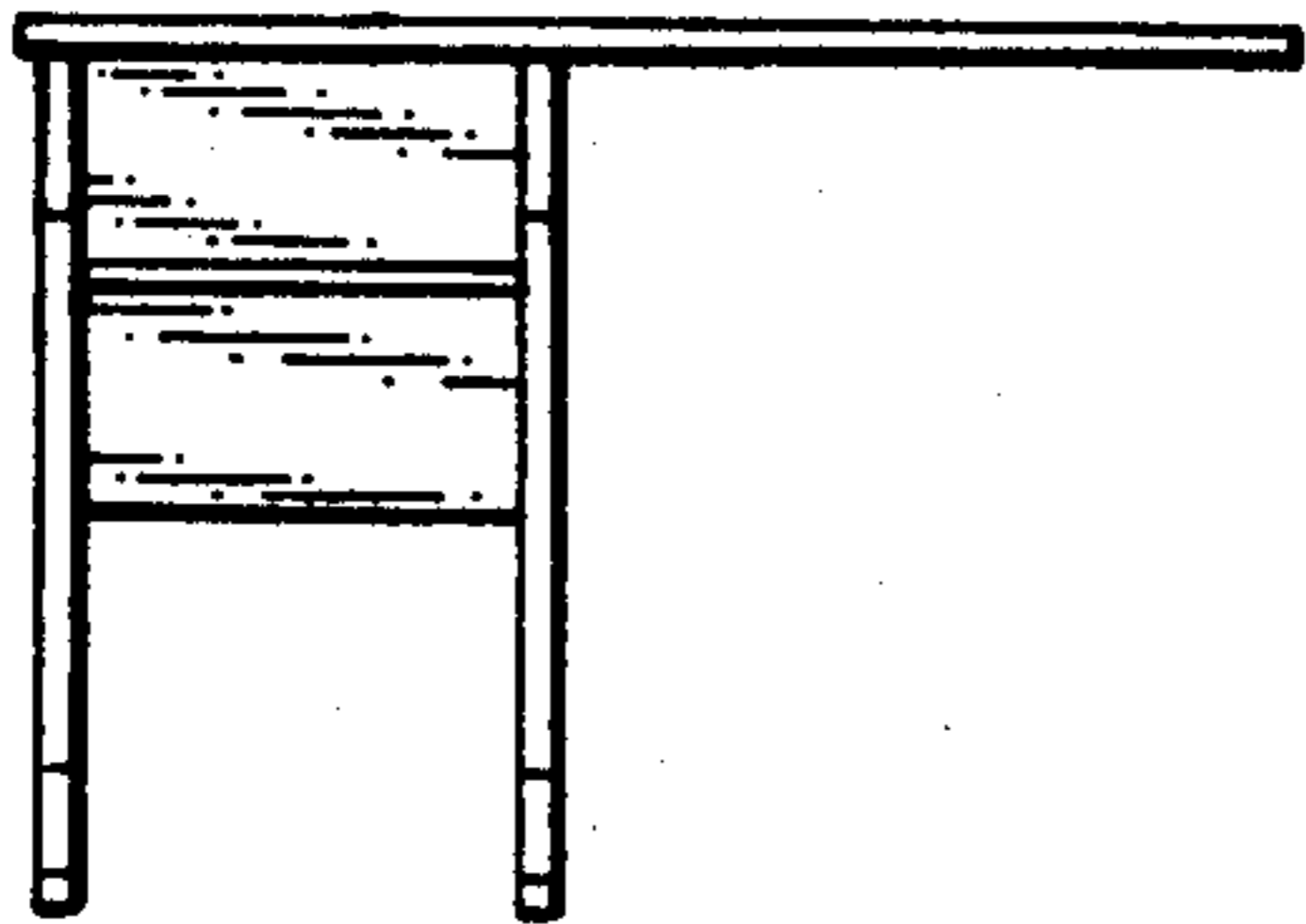


Fig. 6

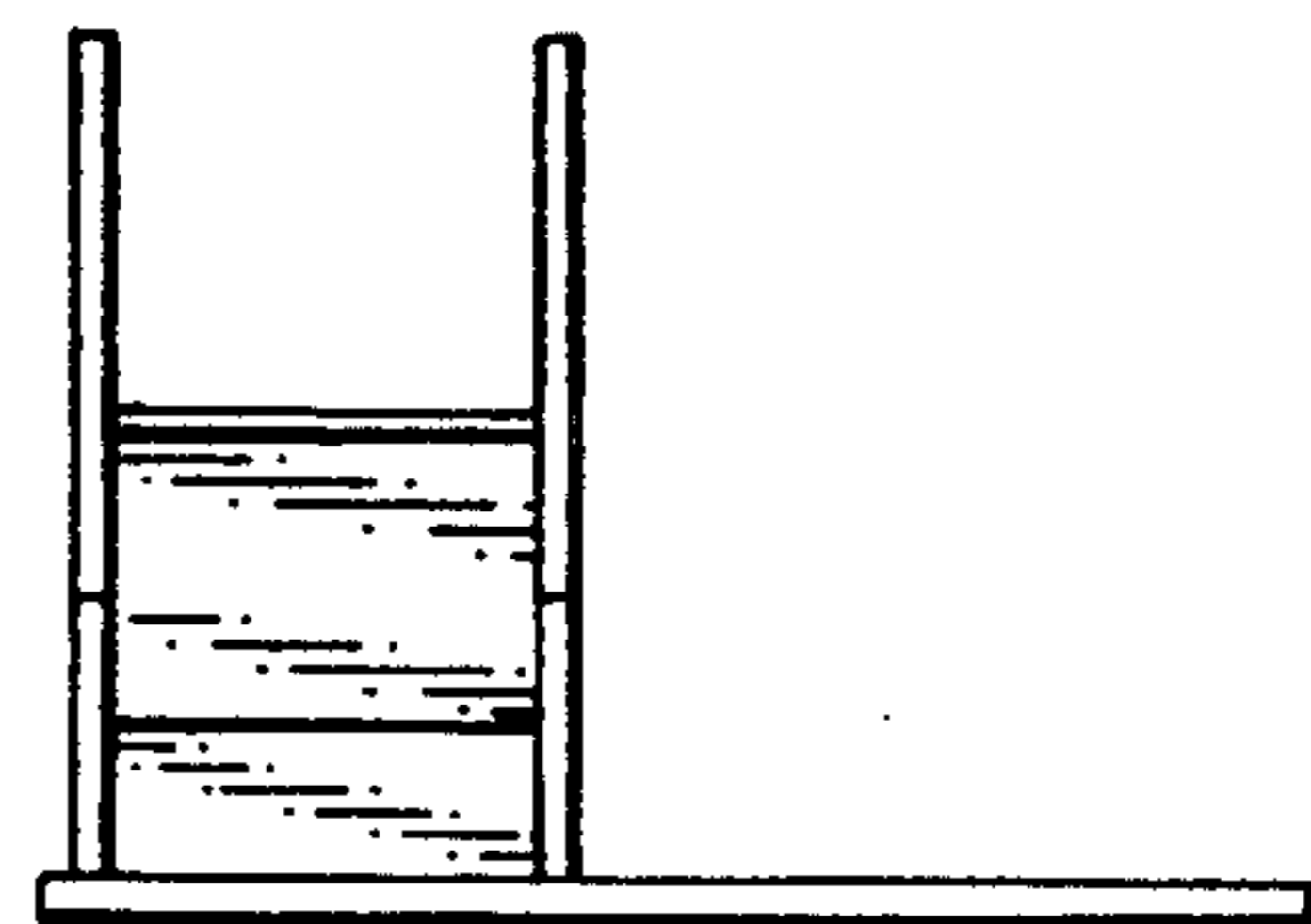


Fig. 7

