

# United States Patent [19]

Kanemitsu

[11] Patent Number: **Des. 276,409**

[45] Date of Patent: **\*\* Nov. 20, 1984**

[54] **POLY-V PULLEY**

[75] Inventor: **Yukio Kanemitsu, Kobe, Japan**

[73] Assignee: **Goshi Kaisha Kanemitsu Doko  
Yosetsu-Sho, Japan**

[\*] Notice: The portion of the term of this patent subsequent to Nov. 23, 1996 has been disclaimed.

[\*\*] Term: **14 Years**

[21] Appl. No.: **386,323**

[22] Filed: **Jun. 8, 1982**

[30] **Foreign Application Priority Data**

Dec. 16, 1981 [JP] Japan ..... 56-55936  
[52] U.S. Cl. .... **D8/360**  
[58] Field of Search ..... D8/360; 72/105, 84,  
72/82; 29/159 R; 474/170, 165, 169

[56] **References Cited**

**U.S. PATENT DOCUMENTS**

|            |         |           |       |         |
|------------|---------|-----------|-------|---------|
| D. 266,982 | 11/1982 | Kanemitsu | ..... | D8/360  |
| D. 266,983 | 11/1982 | Kanemitsu | ..... | D8/360  |
| D. 266,984 | 11/1982 | Kanemitsu | ..... | D8/360  |
| D. 267,472 | 1/1983  | Kanemitsu | ..... | D8/360  |
| D. 267,540 | 11/1983 | Kanemitsu | ..... | D8/360  |
| D. 267,541 | 1/1983  | Kanemitsu | ..... | D8/360  |
| D. 268,092 | 3/1983  | Kanemitsu | ..... | D8/360  |
| 2,471,906  | 5/1949  | Smith     | ..... | 474/170 |
| 2,787,914  | 4/1957  | Nelson    | ..... | 474/168 |
| 3,368,376  | 2/1968  | Previte   | ..... | 72/82   |

|           |         |                |       |          |
|-----------|---------|----------------|-------|----------|
| 3,457,751 | 7/1969  | Lindeman       | ..... | 72/105   |
| 3,722,309 | 3/1973  | Shaffer        | ..... | 474/169  |
| 3,772,928 | 11/1973 | Gobeille       | ..... | 474/170  |
| 3,838,485 | 10/1974 | Oldford        | ..... | 474/170  |
| 3,945,102 | 3/1976  | Kotlar         | ..... | 29/159 R |
| 3,953,995 | 5/1976  | Haswell et al. | ..... | 72/84    |
| 3,962,926 | 6/1976  | Kotlar         | ..... | 474/168  |
| 3,977,264 | 8/1976  | Sproul         | ..... | 74/230.8 |
| 3,994,181 | 11/1976 | Sproul         | ..... | 474/170  |
| 4,050,321 | 9/1977  | Kraft          | ..... | 74/230.8 |
| 4,080,704 | 3/1978  | Blakesley      | ..... | 29/159 R |
| 4,313,323 | 2/1982  | Kanemitsu      | ..... | 29/159 R |

**FOREIGN PATENT DOCUMENTS**

|         |         |                      |       |         |
|---------|---------|----------------------|-------|---------|
| 2822056 | 11/1979 | Fed. Rep. of Germany | ..... | 474/170 |
| 208176  | 1/1955  | Italy                | ..... | 474/170 |

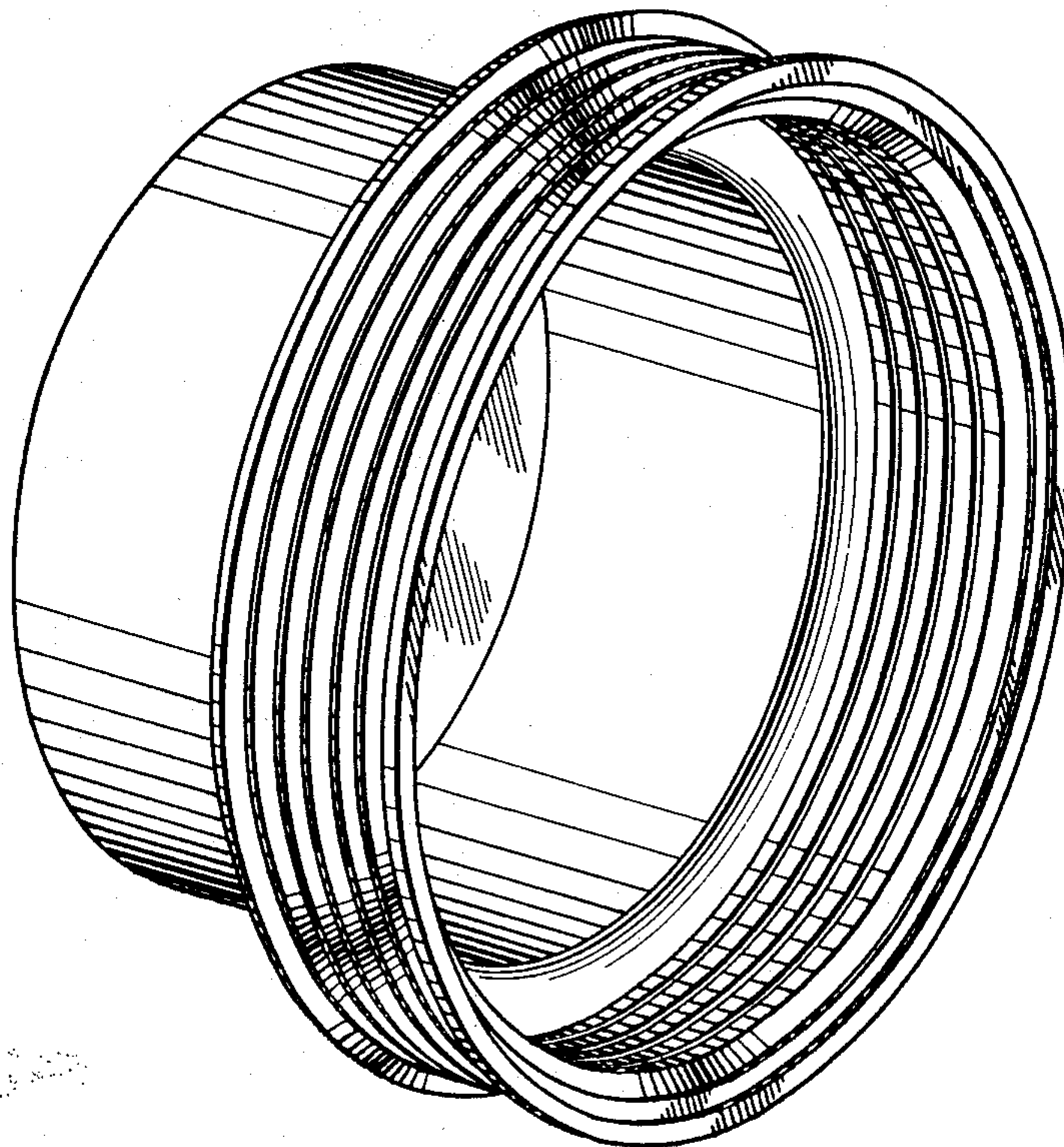
*Primary Examiner*—Wallace R. Burke  
*Assistant Examiner*—Horace B. Fay  
*Attorney, Agent, or Firm*—Steele, Gould & Fried

[57] **CLAIM**

The ornamental design for a poly-V pulley, as shown and described.

**DESCRIPTION**

FIG. 1 is a perspective view, from the side and bottom, of a poly-V pulley according to my new design; FIG. 2 is a bottom plan view thereof; FIG. 3 is a side elevation thereof, being the same from all directions; FIG. 4 is a top plan view thereof; and, FIG. 5 is a section view taken along the line 5—5 in FIG. 2.



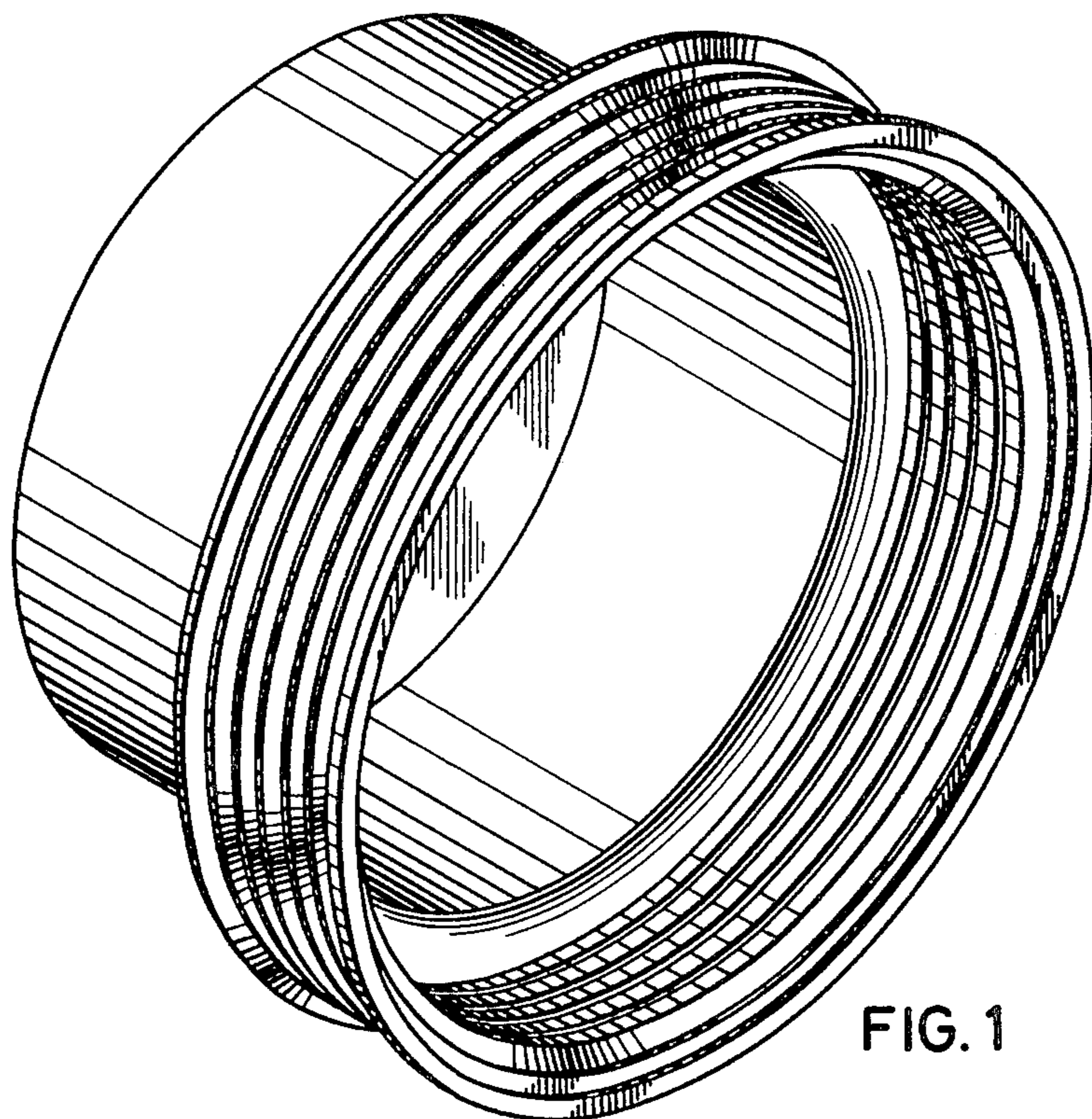


FIG. 1

FIG. 2

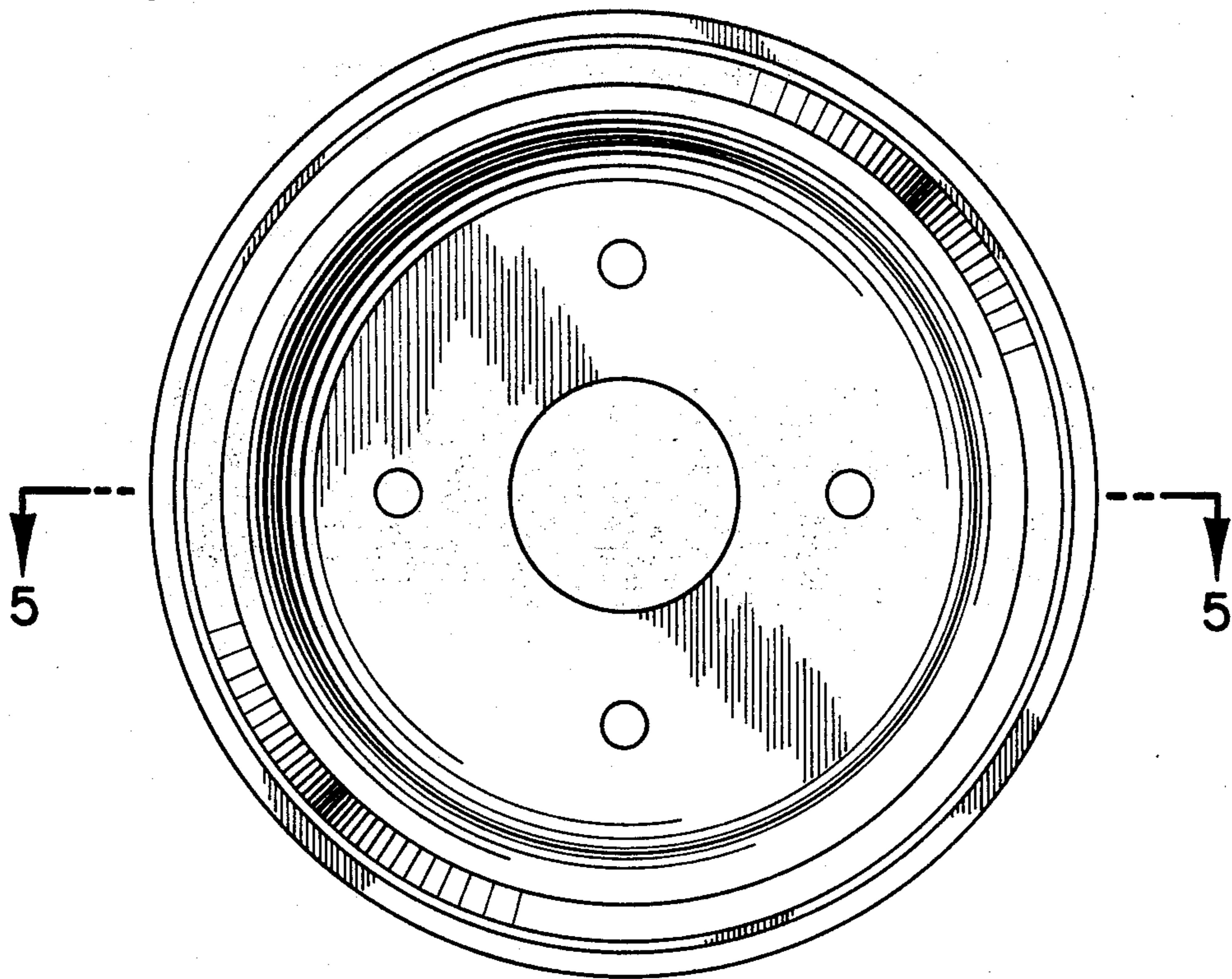
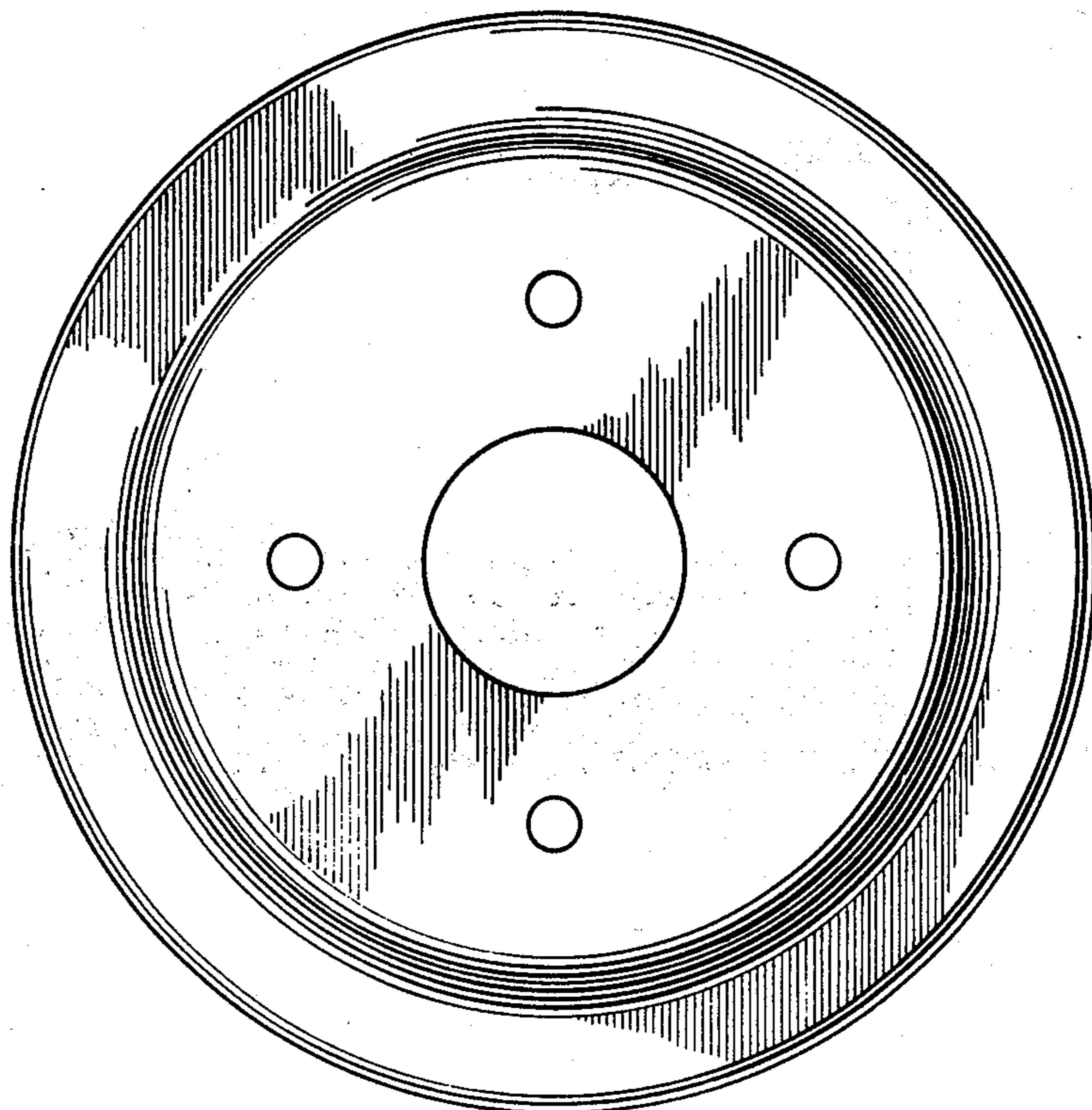


FIG. 4



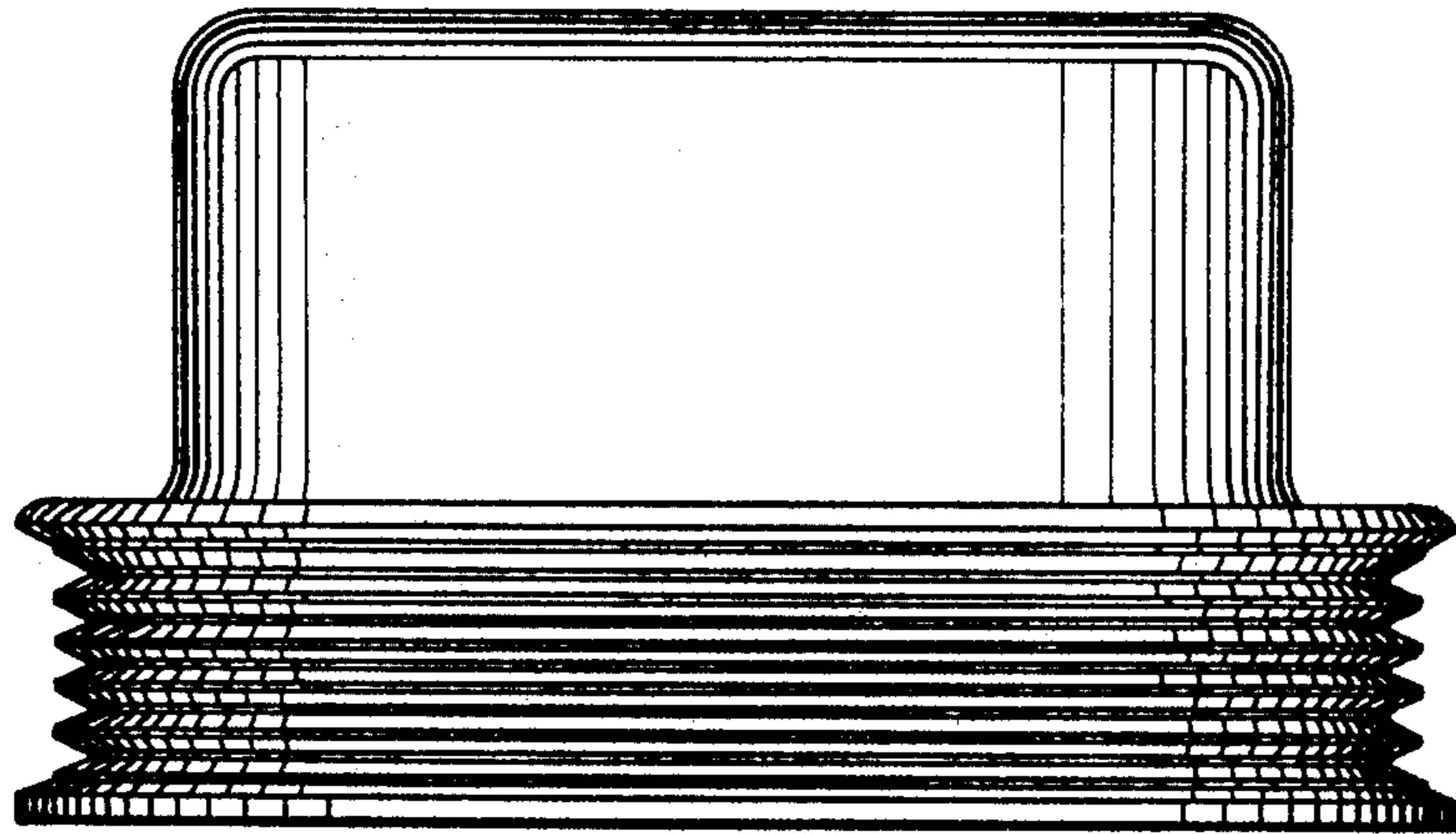


FIG. 3

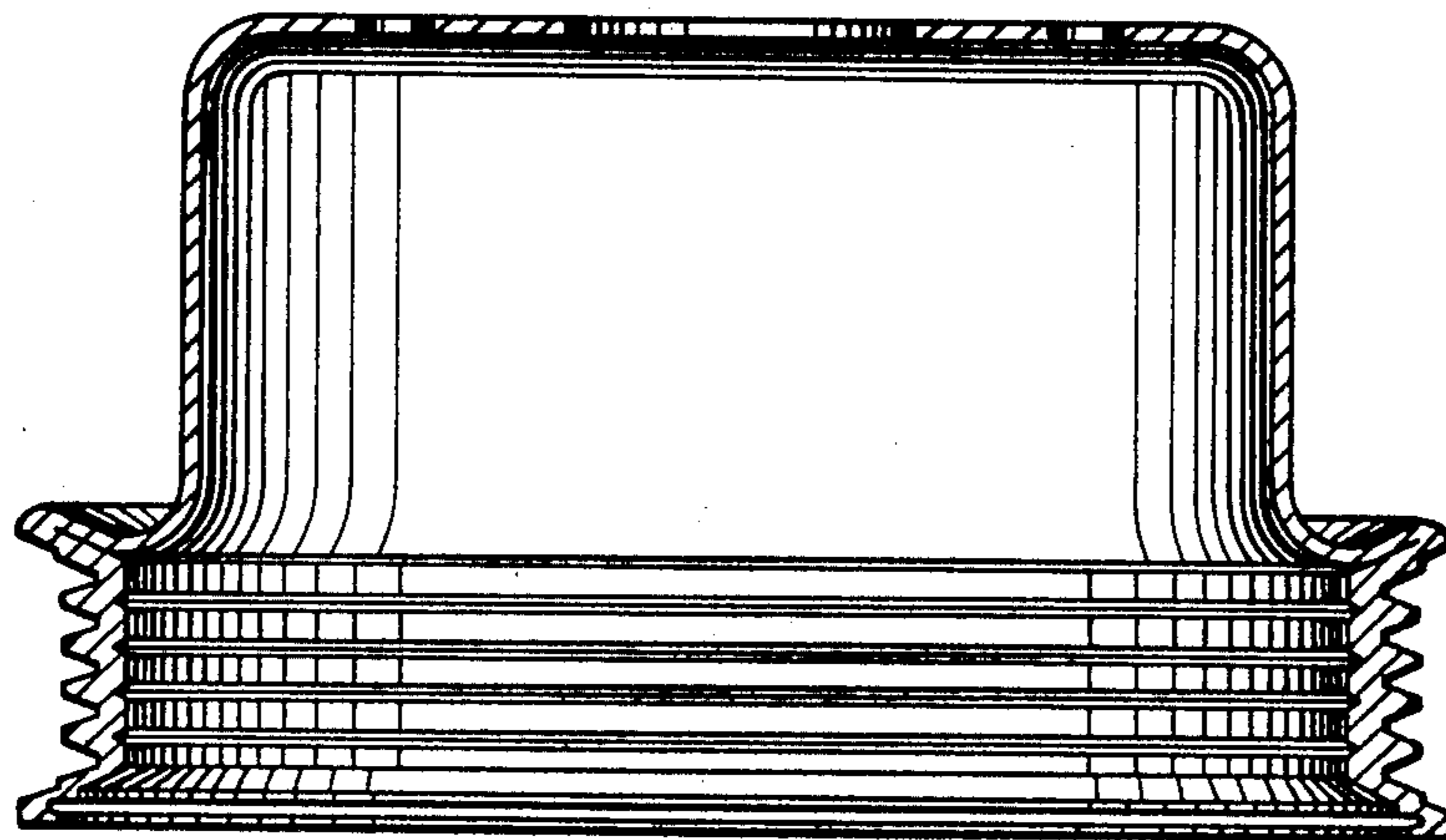


FIG. 5