

[54] MIXER

[76] Inventor: John S. Doyel, 404 W. 20th St., New York, N.Y. 10016

[\*\*] Term: 14 Years

[21] Appl. No.: 374,193

[22] Filed: May 3, 1982

[52] U.S. Cl. .... D7/380

[58] Field of Search ..... D7/50, 376, 380, 368, D7/213, 412, 415; 366/302, 307, 247, 244, 245

[56] References Cited

U.S. PATENT DOCUMENTS

- D. 122,155 8/1940 Bernhardt ..... D7/380
- D. 260,346 8/1981 Lebowitz ..... D7/380 X
- D. 268,158 3/1983 Doyel ..... D7/50

- 595,354 12/1897 Spilker ..... 366/247 X
- 1,942,275 1/1934 Carey ..... 366/302 X
- 2,148,399 2/1939 Crissey ..... 366/244
- 2,265,533 12/1941 Lawrence ..... 366/247
- 4,010,934 3/1977 McCord et al. .... 366/247 X

Primary Examiner—Winifred E. Herrmann

[57] CLAIM

The ornamental design for a mixer, as shown and described.

DESCRIPTION

FIG. 1 is a top plan view of a mixer embodying the new design.

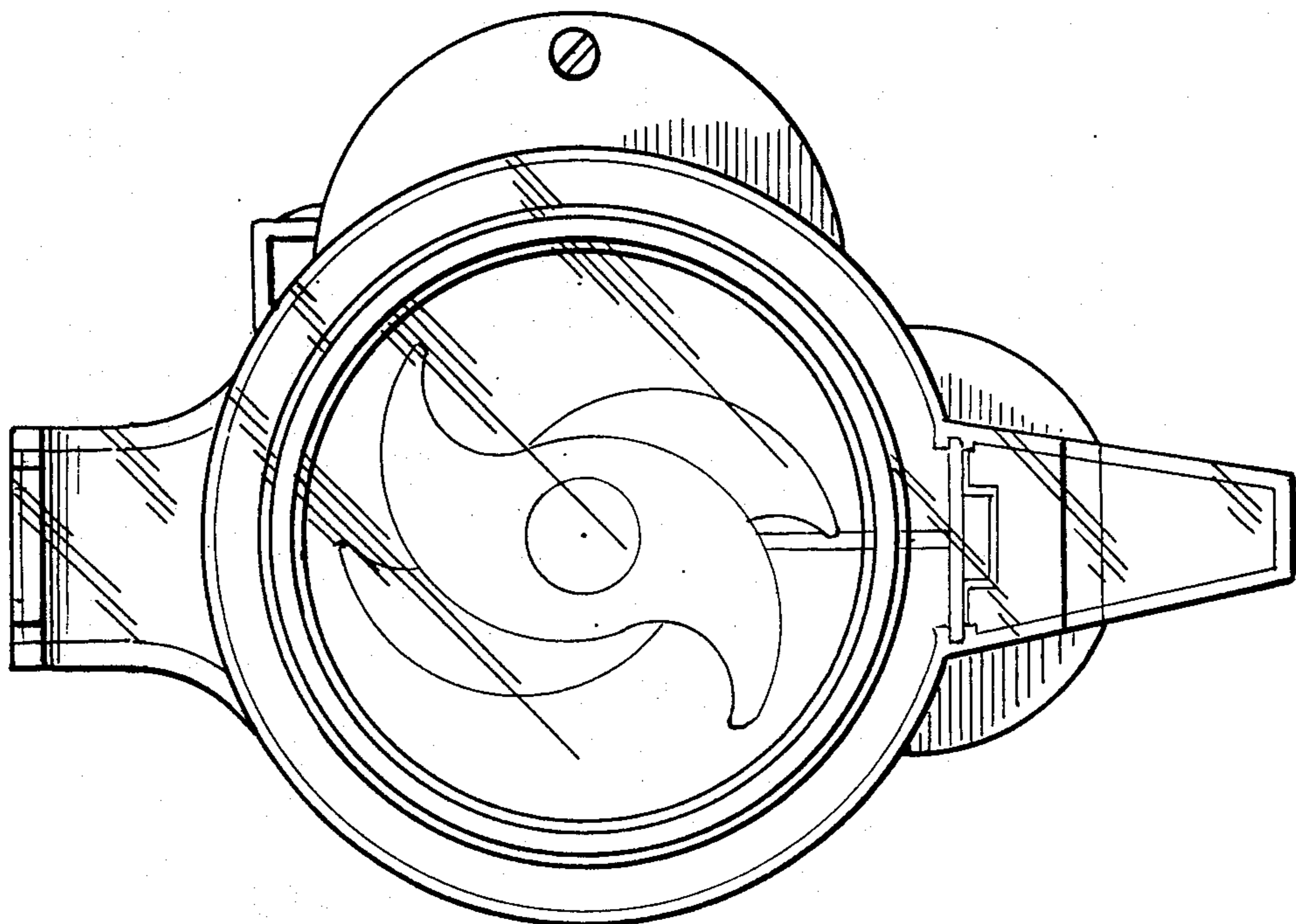
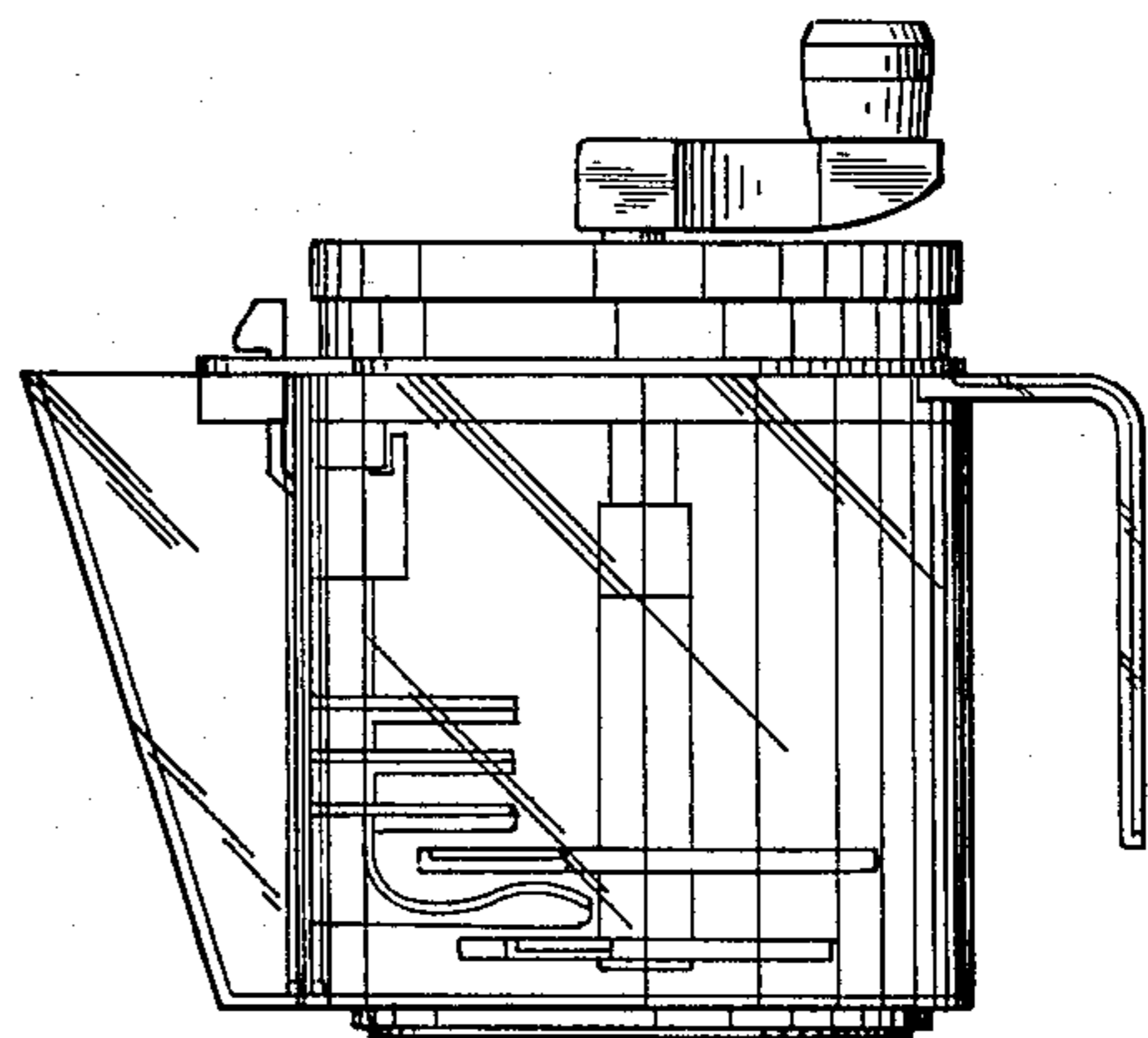
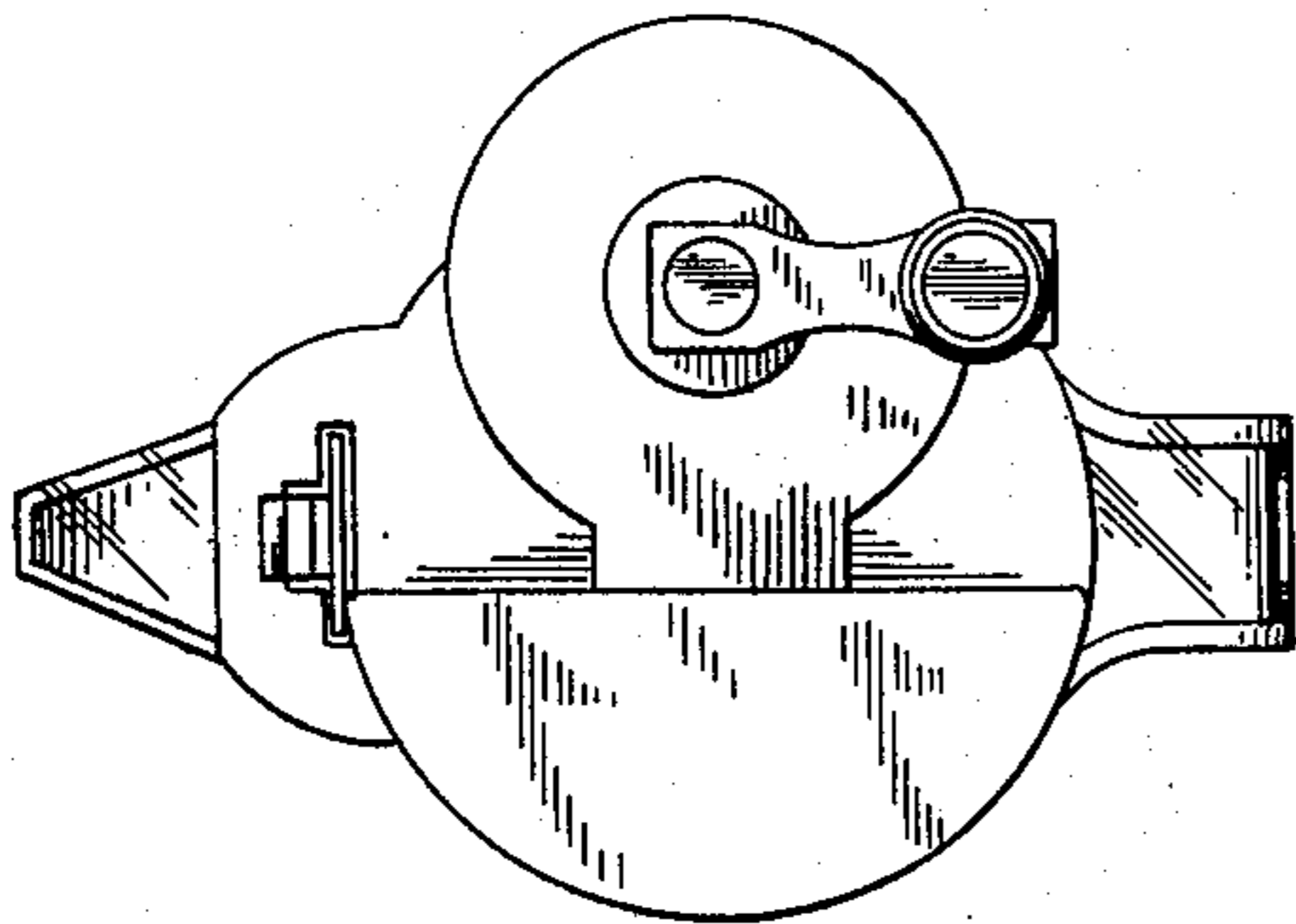
FIG. 2 is a left side elevational view.

FIG. 3 is a front elevational view.

FIG. 4 is a back elevational view.

FIG. 5 is a right side elevational view.

FIG. 6 is a bottom plan view.



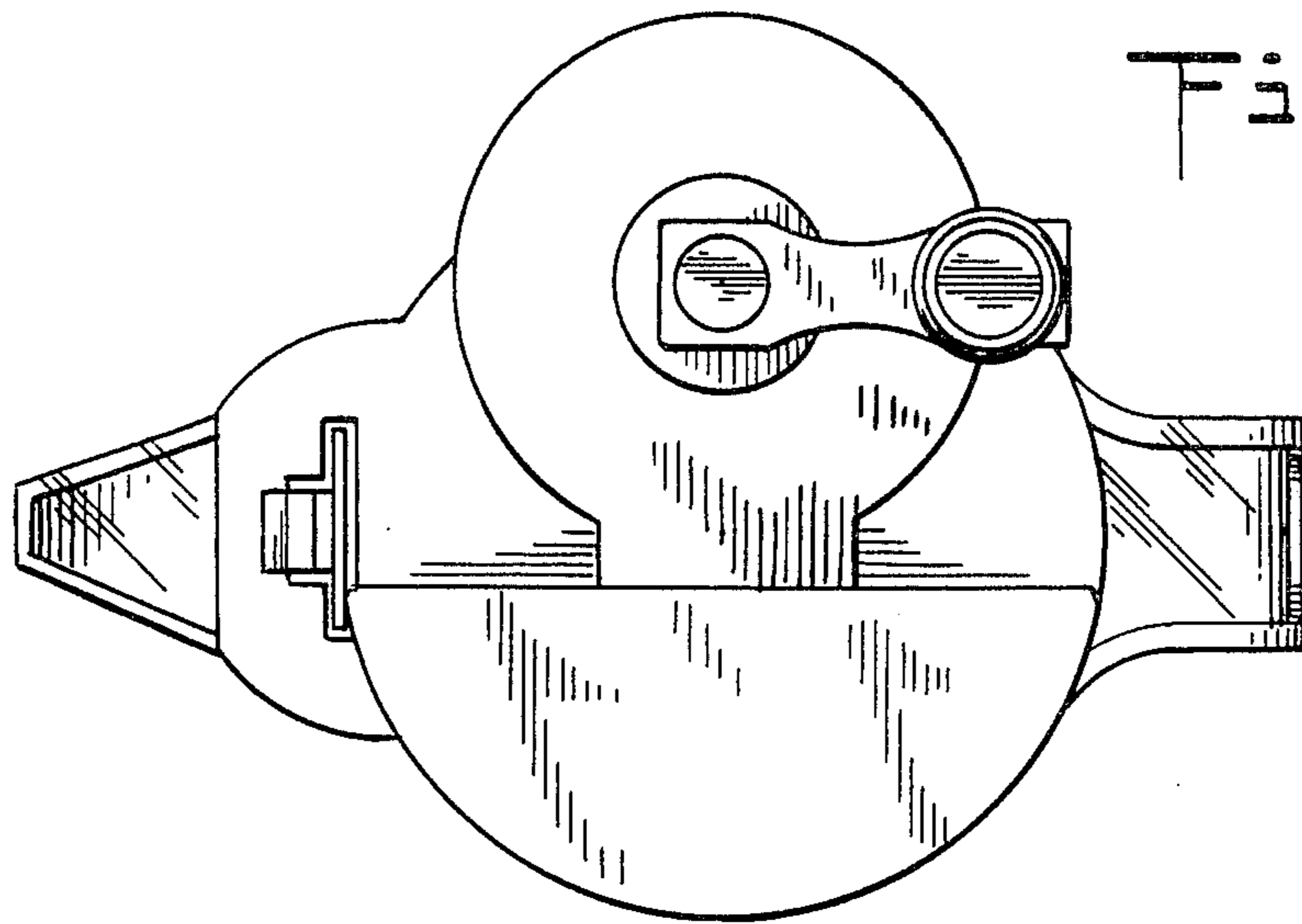


Fig. 1.

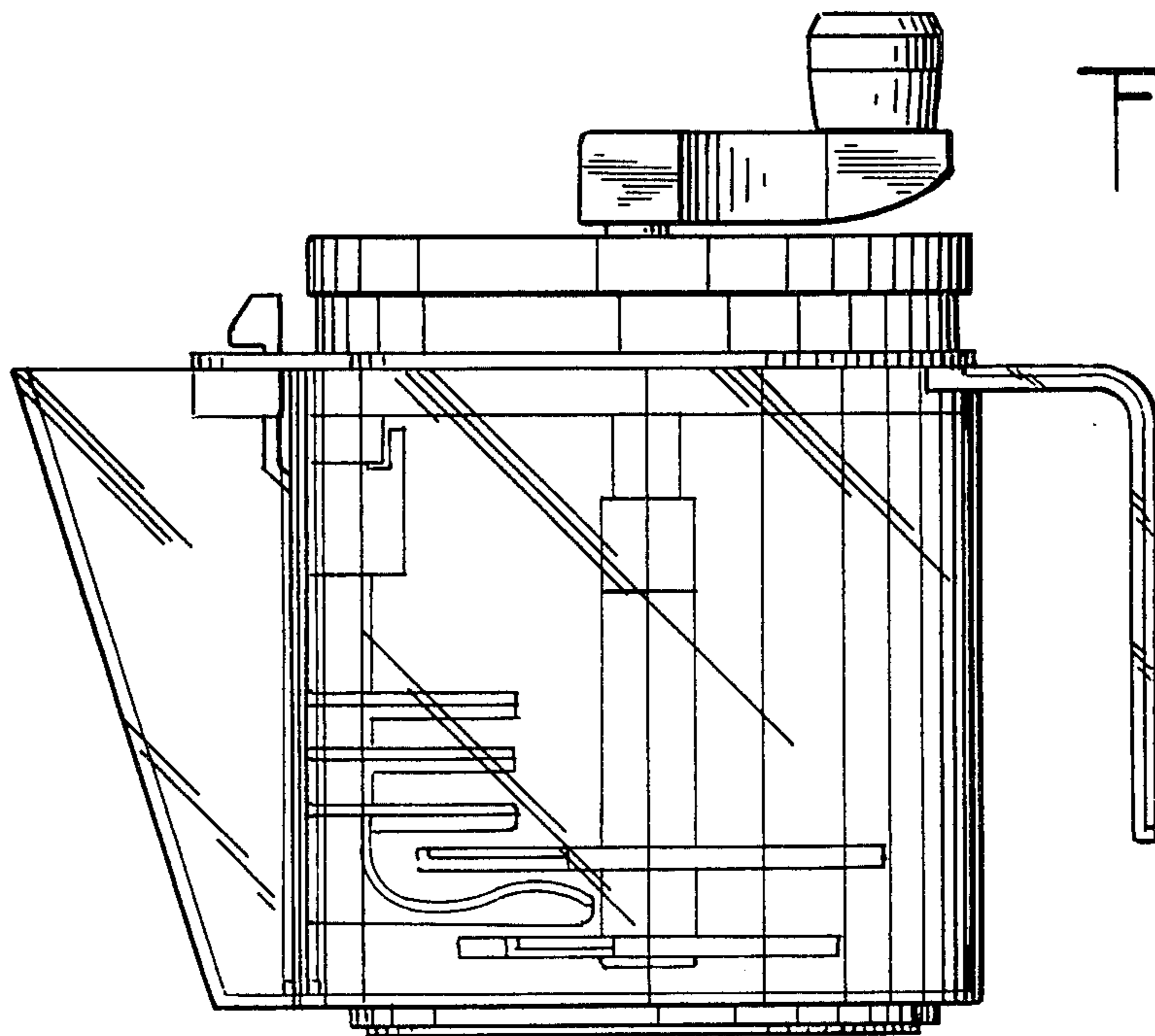


Fig. 2.

Fig. 3.

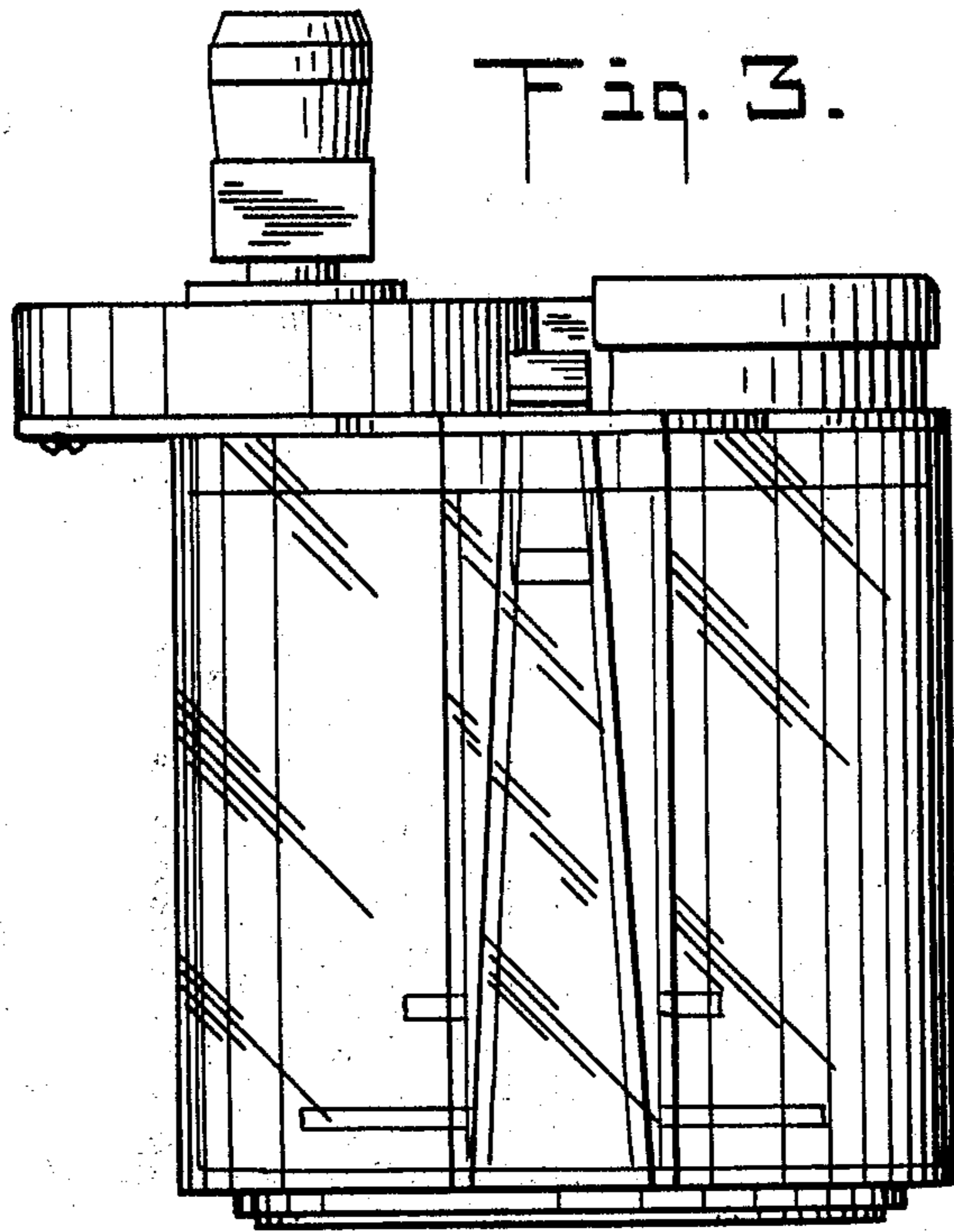
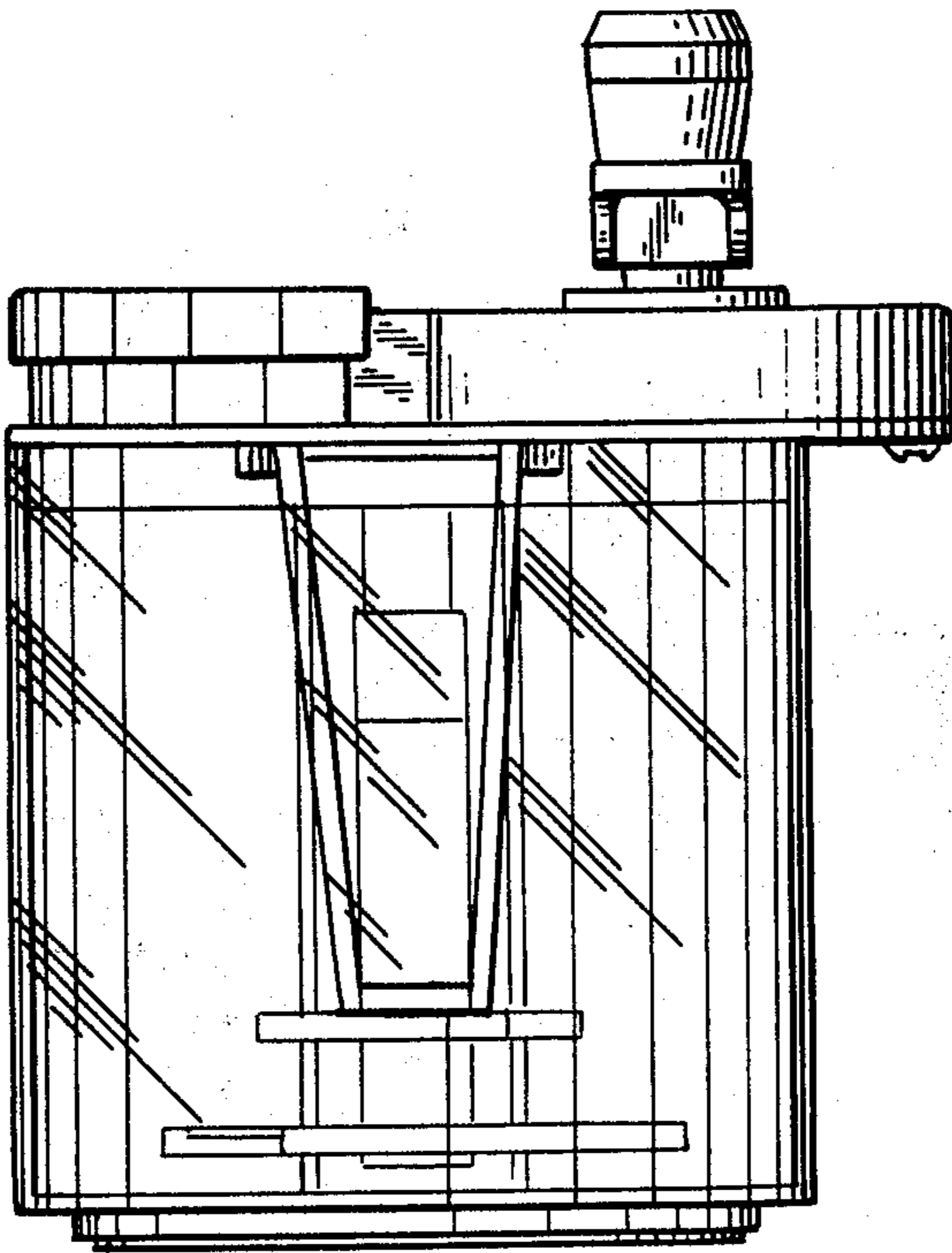


Fig. 4.



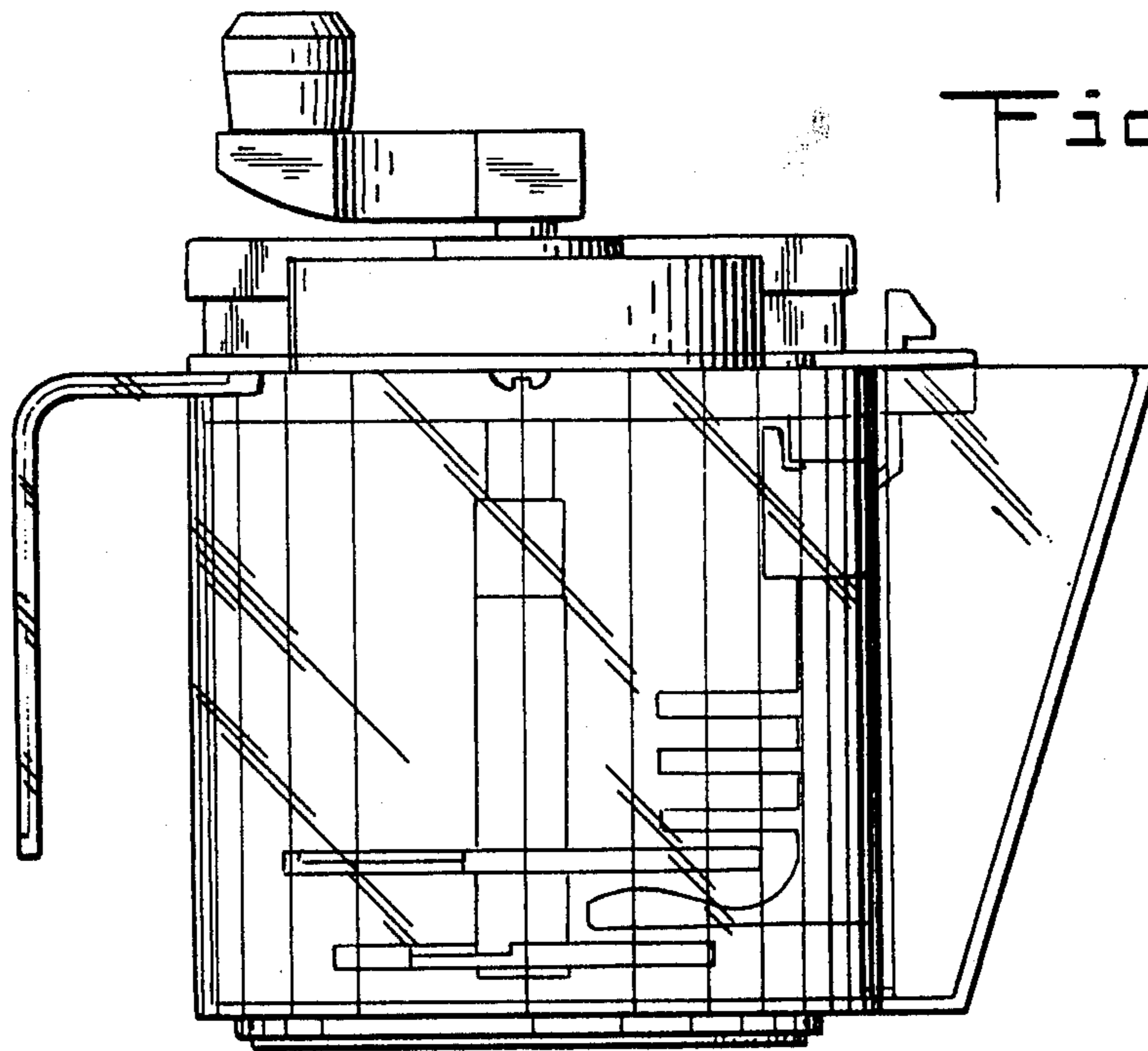


Fig. 5.

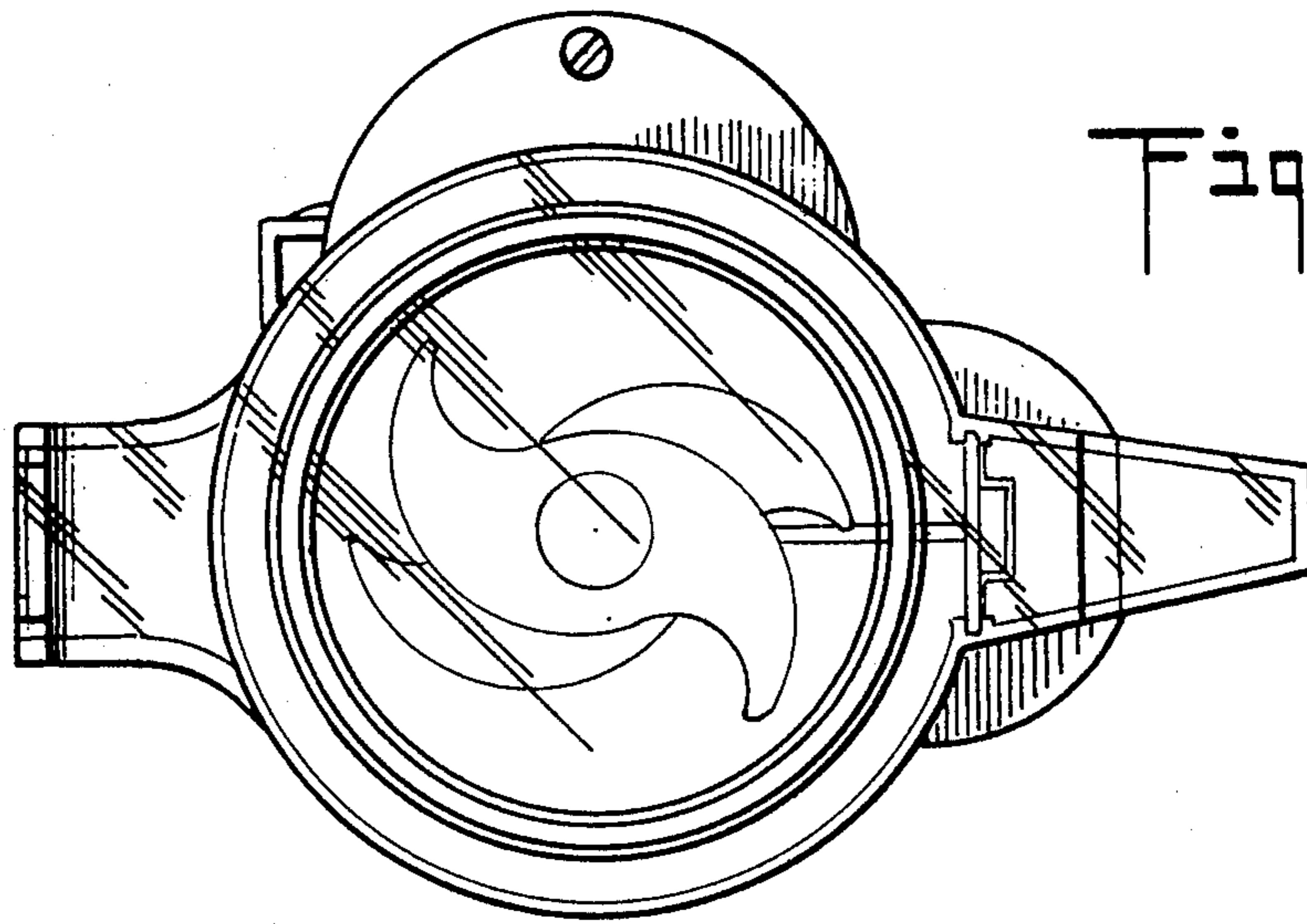


Fig. 6.