

[54] COVERED CASSEROLE DISH OR THE LIKE

[75] Inventors: Rino Conti, Stoughton, Mass.; Robert H. C. M. Daenen, Hekelgem, Belgium; Gerald M. Grusin, Chicago, Ill.; Augusto A. Picozza, Johnston, R.I.; James B. Swett, Altamonte Springs, Fla.

[73] Assignee: Dart Industries Inc., Northbrook, Ill.

[\*\*] Term: 14 Years

[21] Appl. No.: 385,973

[22] Filed: Jun. 7, 1982

[52] U.S. Cl. .... D7/16; D7/17; D7/354

[58] Field of Search ..... D7/1, 360, 17, 18, 16, D7/354, 356, 357, 40; 220/231, 94 A; D9/444, 435, 454

[56] References Cited

U.S. PATENT DOCUMENTS

- D. 49,544 8/1916 Maier ..... D7/17
- D. 105,937 9/1937 Conroy ..... D7/354
- D. 160,070 9/1950 Carr ..... D7/360

- D. 191,124 8/1961 Barron et al. ....
- D. 207,233 3/1967 Ressler .....
- D. 233,121 10/1974 Daenen ..... I
- D. 251,169 2/1979 Ono .....

FOREIGN PATENT DOCUMENTS

- 103339 10/1937 Australia .....

OTHER PUBLICATIONS

*Pfaltzgraff Co. Brochure Supplement to HFD.*, s Jan. 1, 1979, inside left page, Covered Petite C: 16 oz., 3rd col. near bottom.

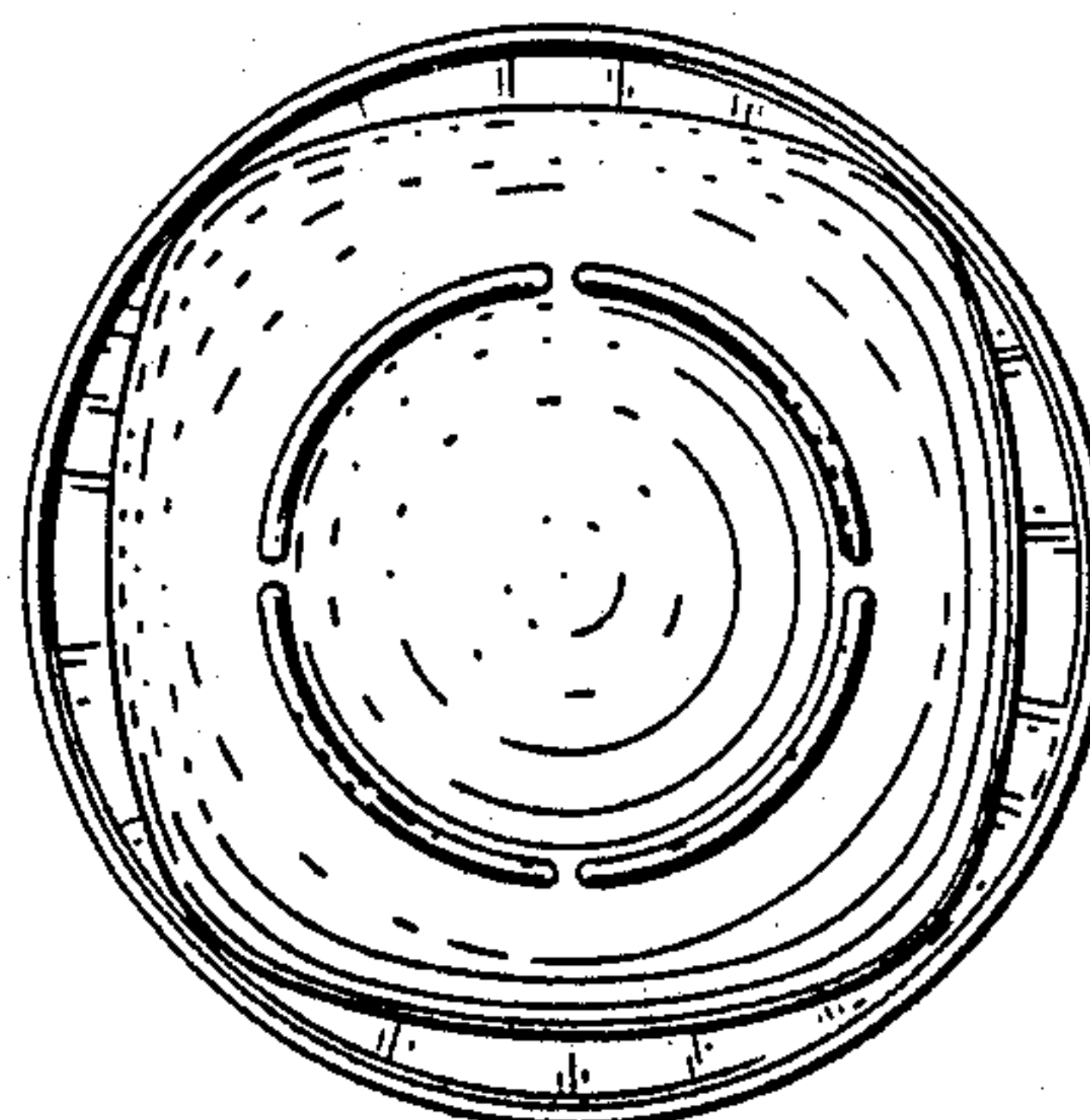
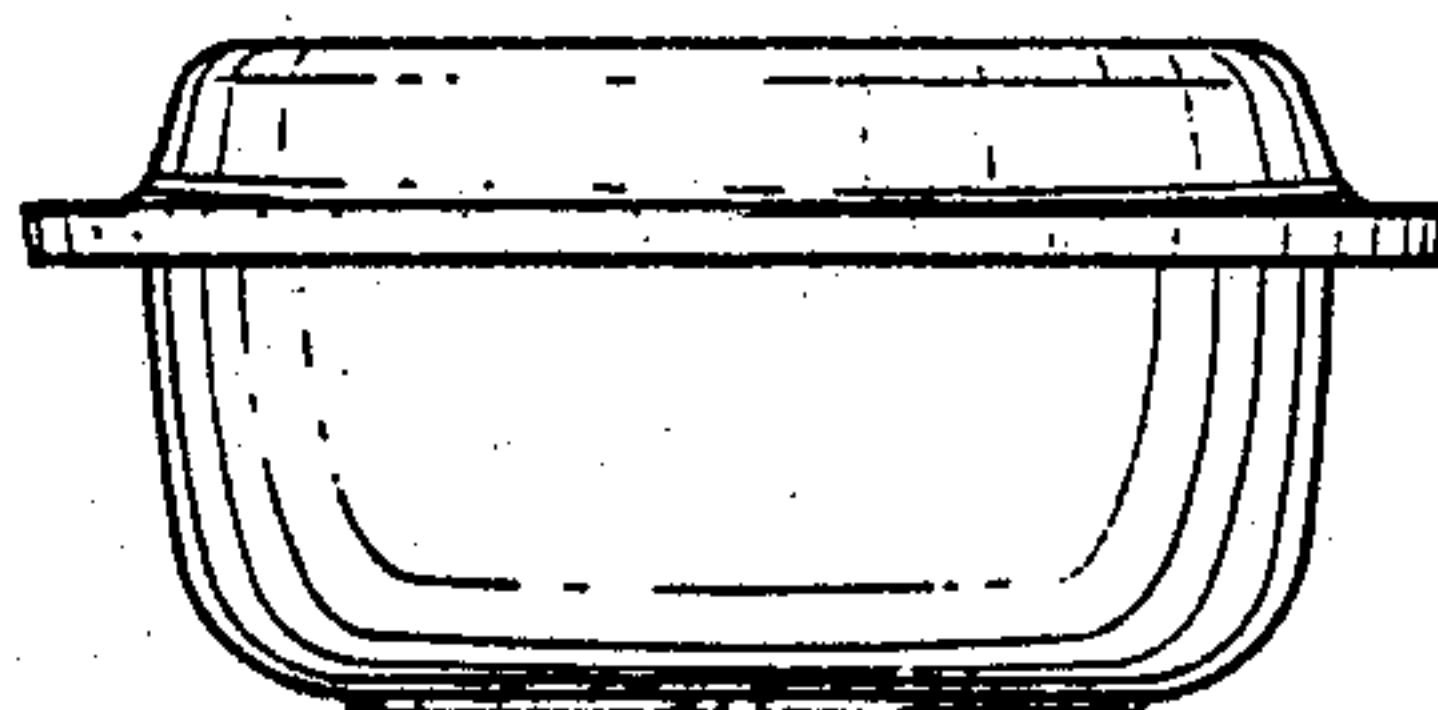
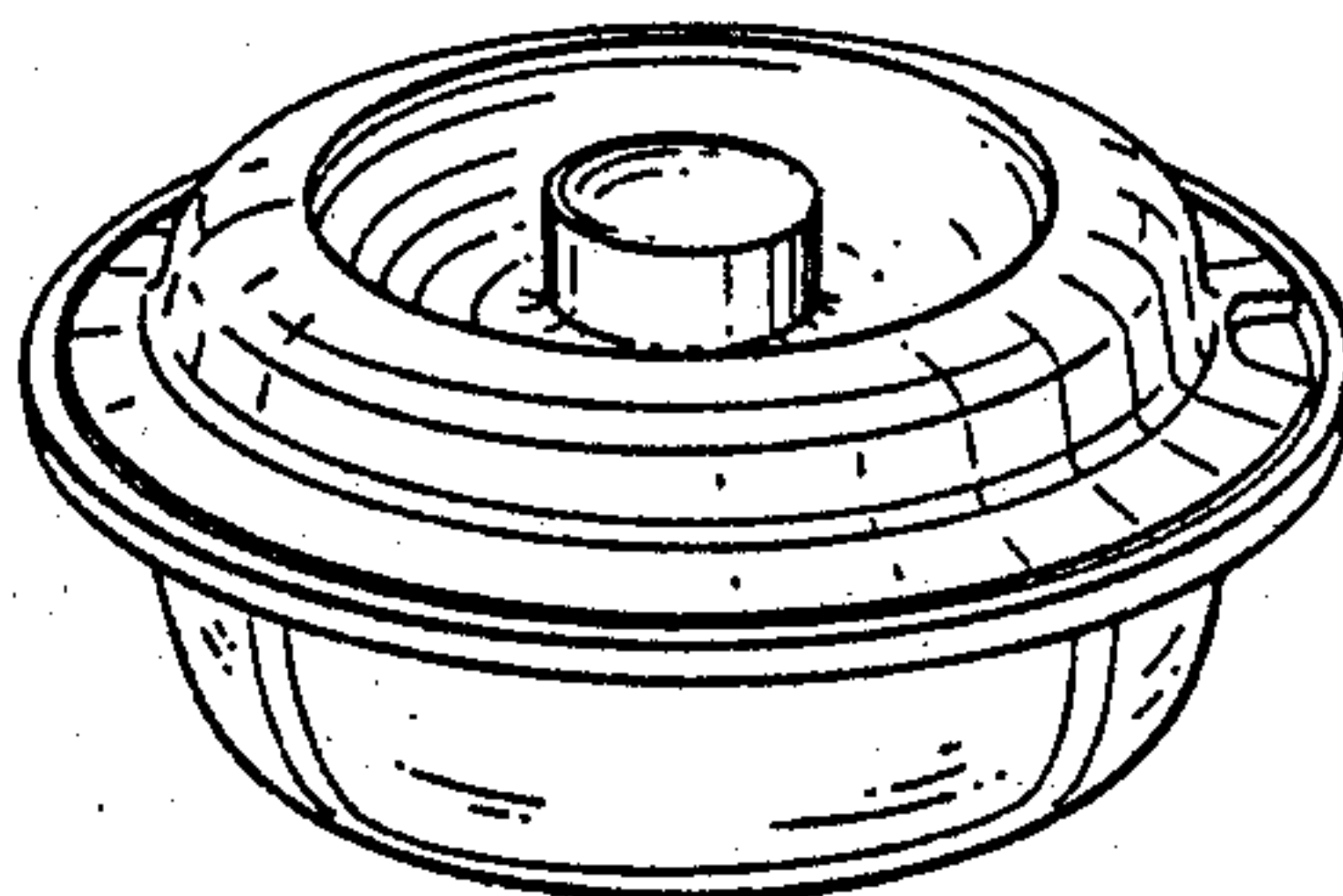
*Primary Examiner*—Winifred E. Herrmann  
*Attorney, Agent, or Firm*—John A. Doninger

[57] CLAIM

The ornamental design for a covered casserole the like, substantially as shown.

DESCRIPTION

FIG. 1 is a top perspective view of a covered c: dish or the like showing our new design; FIG. 2 is a side elevational view thereof; FIG. 3 is a top plan view thereof; and FIG. 4 is a bottom plan view thereof.





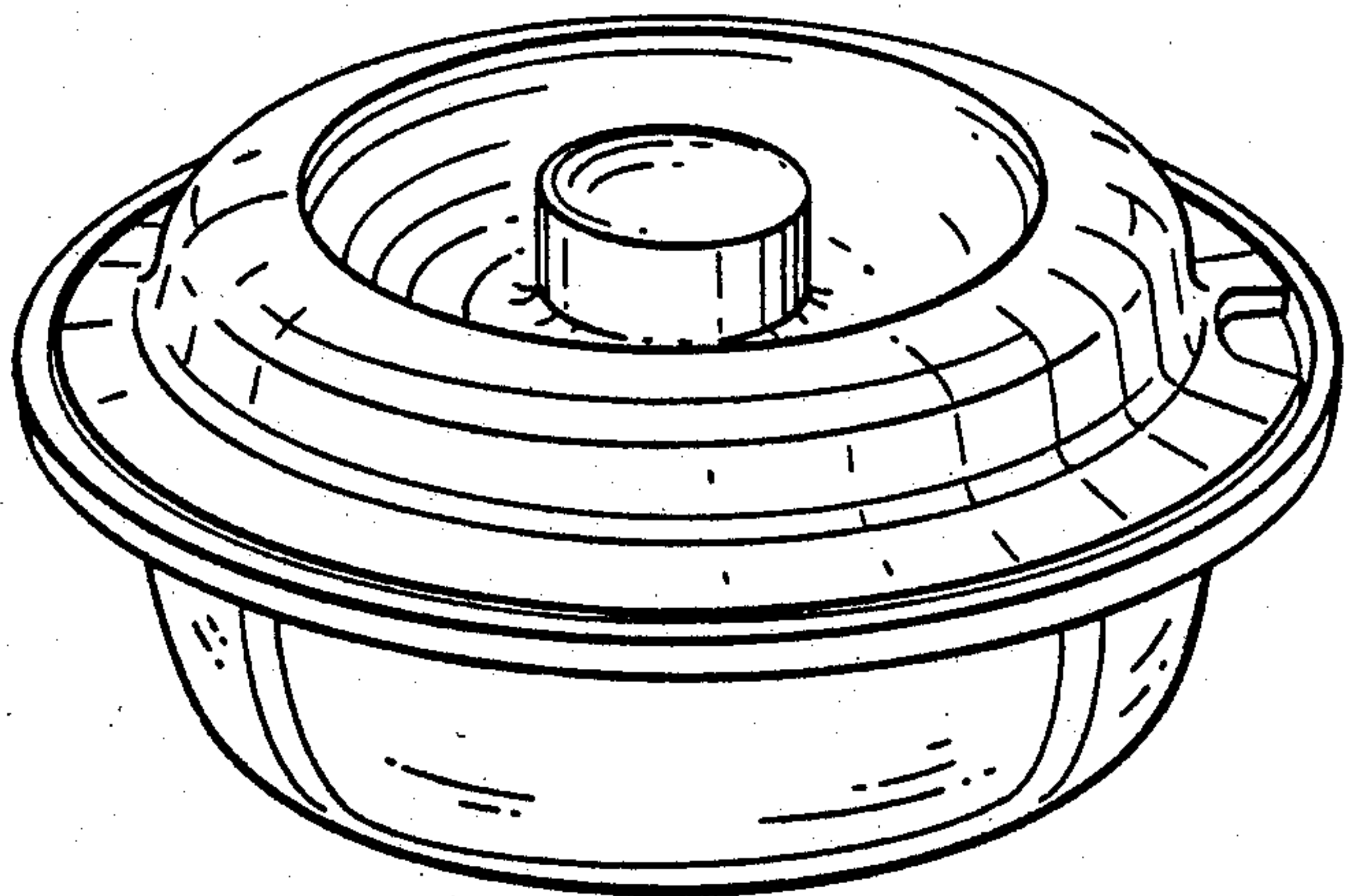


FIG. 1

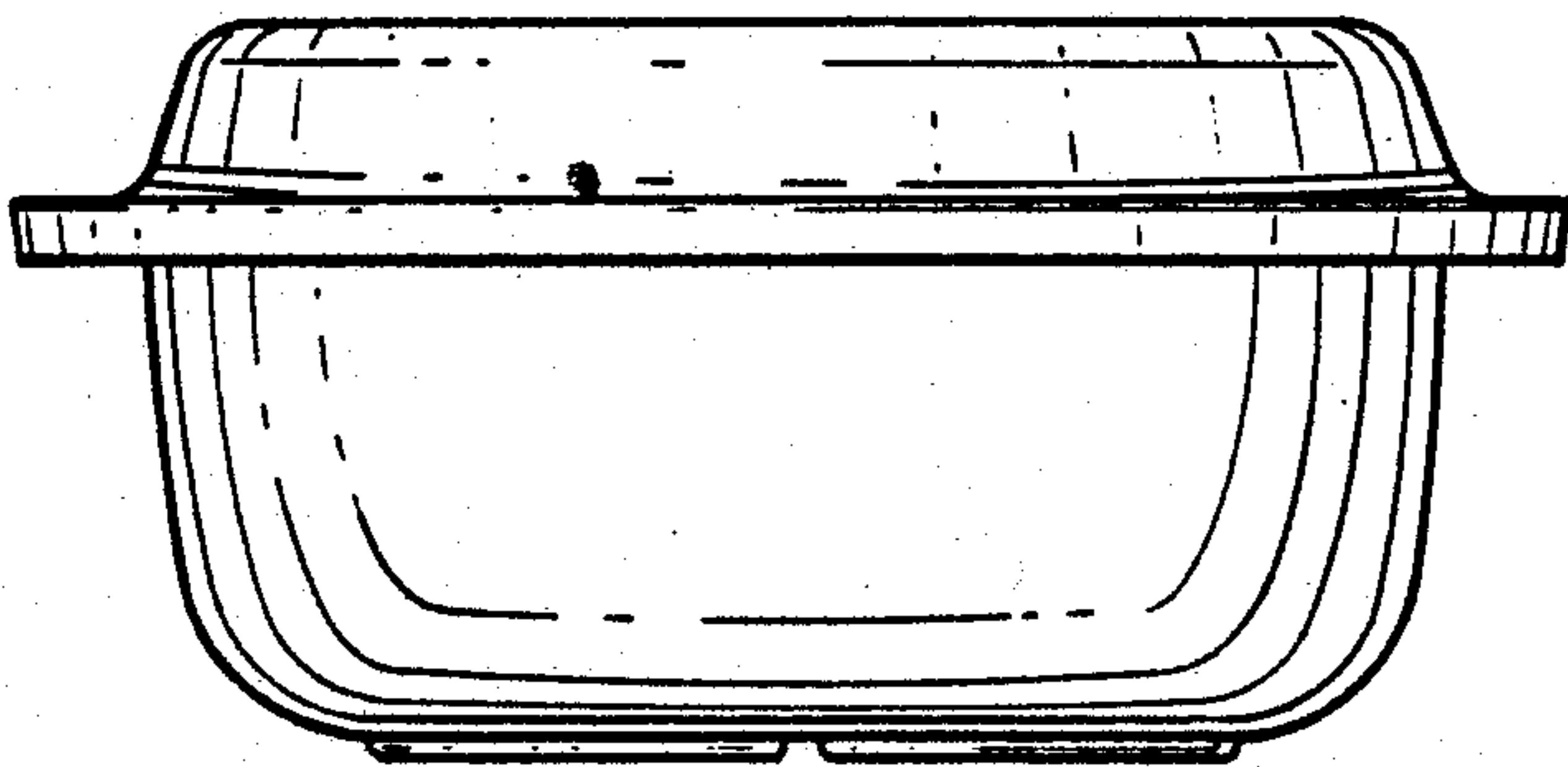


FIG. 2

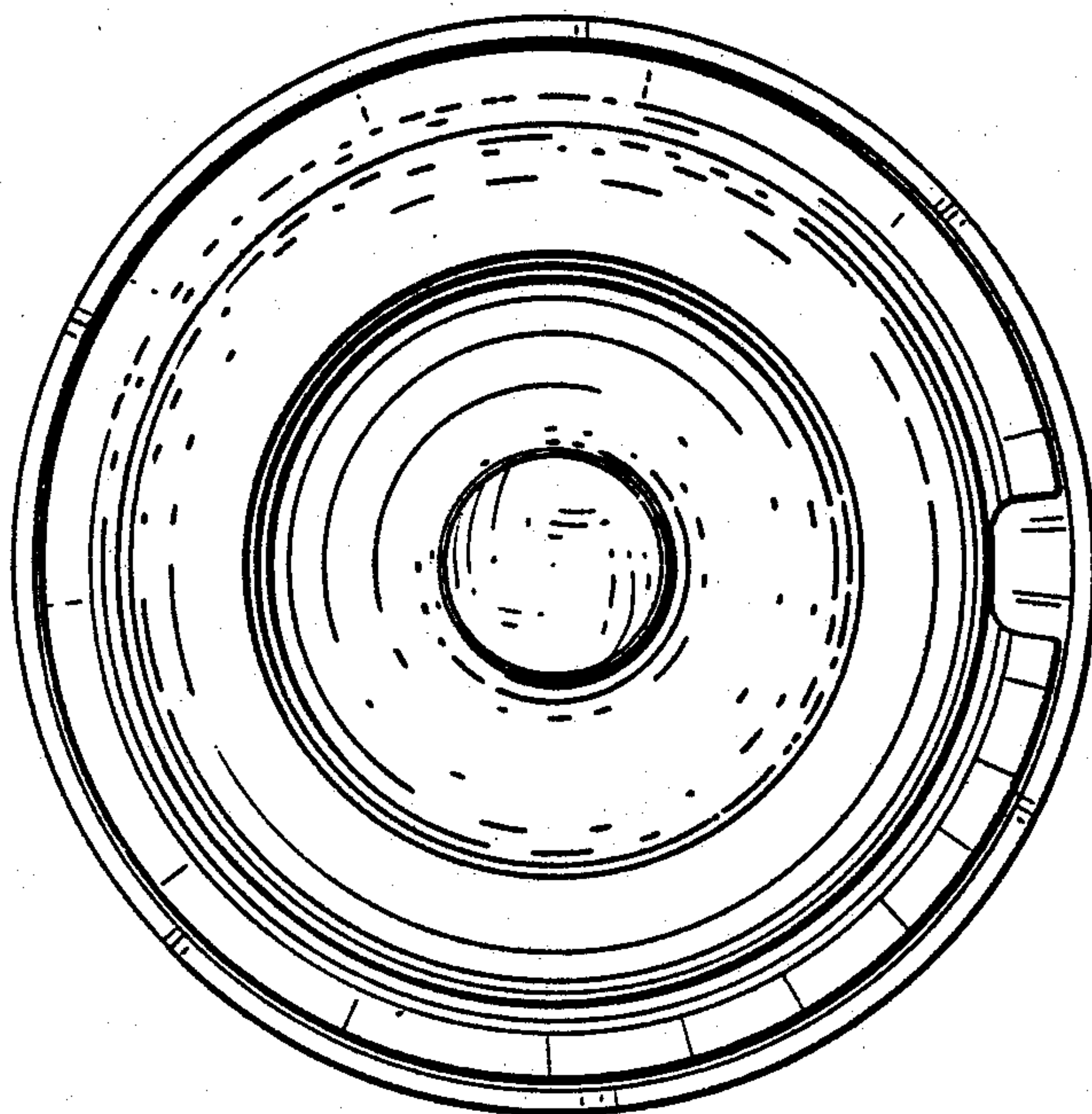


FIG. 3

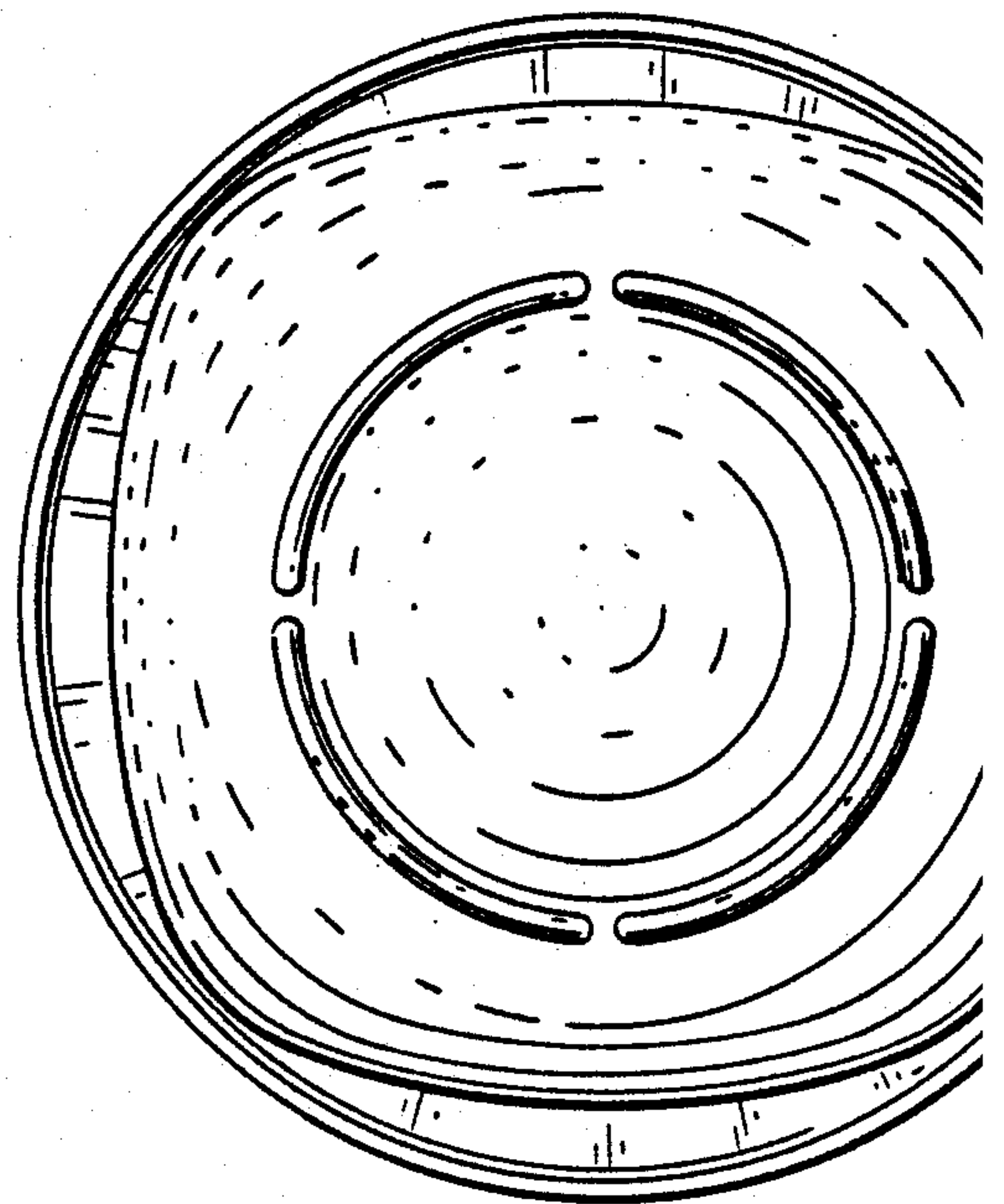


FIG. 4