

[54] **PICTURE FRAME**

[76] **Inventor: John G. Pfanstiehl, Rte. 87,  
Andover, Conn. 06232**

[\*\*] **Term: 14 Years**

[21] **Appl. No.: 357,173**

[22] **Filed: Mar. 11, 1982**

**Related U.S. Application Data**

[63] **Continuation-in-part of Ser. No. 121,992, Feb. 19, 1980,  
Pat. No. Des. 226,890.**

[52] **U.S. Cl. .... D6/300**

[58] **Field of Search ..... D6/232-246;  
D28/65-72; D21/240; 40/152, 152.1, 152.2,  
156**

[56] **References Cited**

**U.S. PATENT DOCUMENTS**

D. 209,035 10/1967 Robert ..... D6/242  
D. 265,485 7/1982 Liptak ..... D6/242  
D. 266,890 11/1982 Pfanstiehl ..... D6/242

2,268,529 12/1941 Stiles ..... D6/241

**FOREIGN PATENT DOCUMENTS**

1071402 6/1967 United Kingdom ..... 40/152

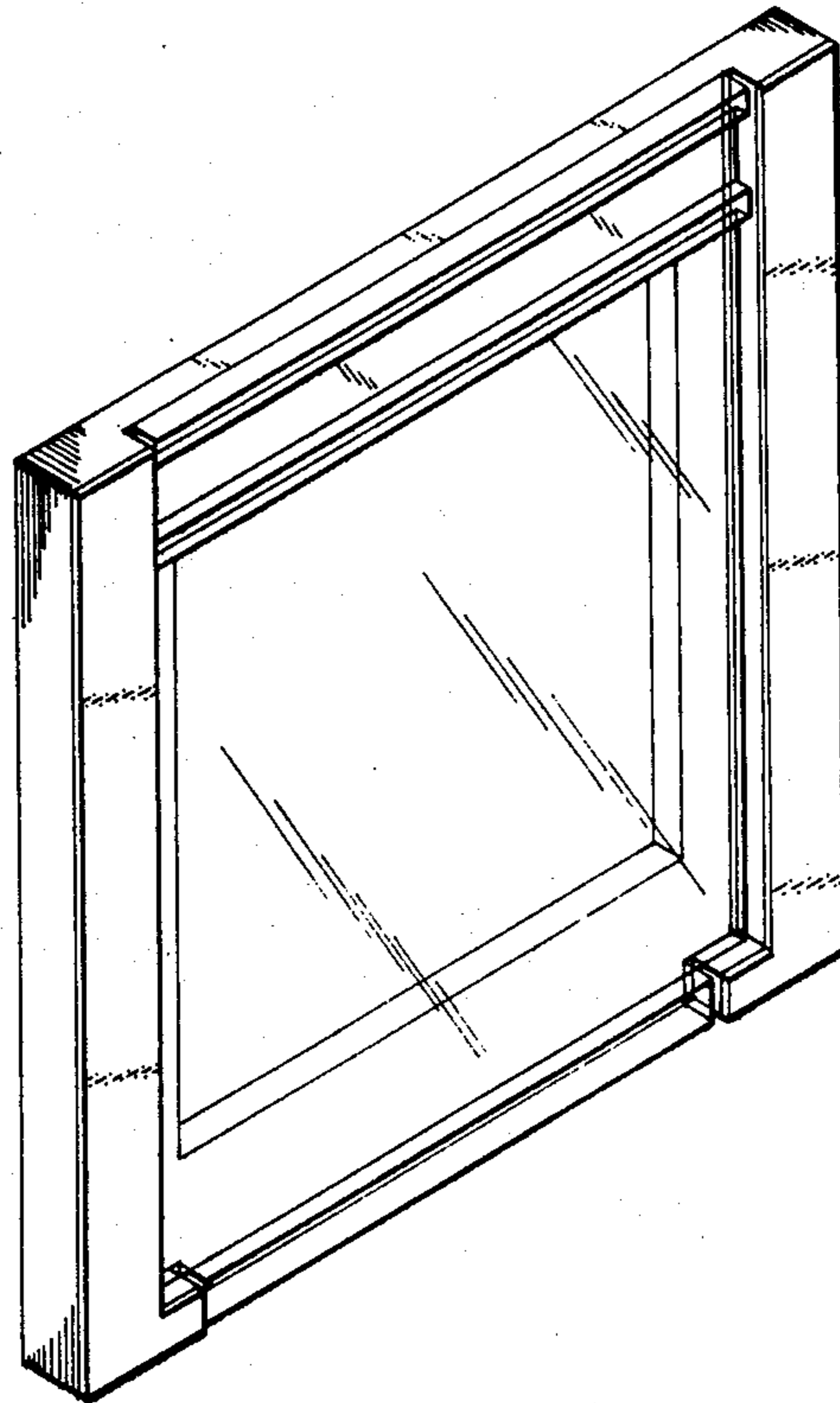
*Primary Examiner*—Charles A. Rademaker  
*Attorney, Agent, or Firm*—McCormick, Paulding &  
Huber

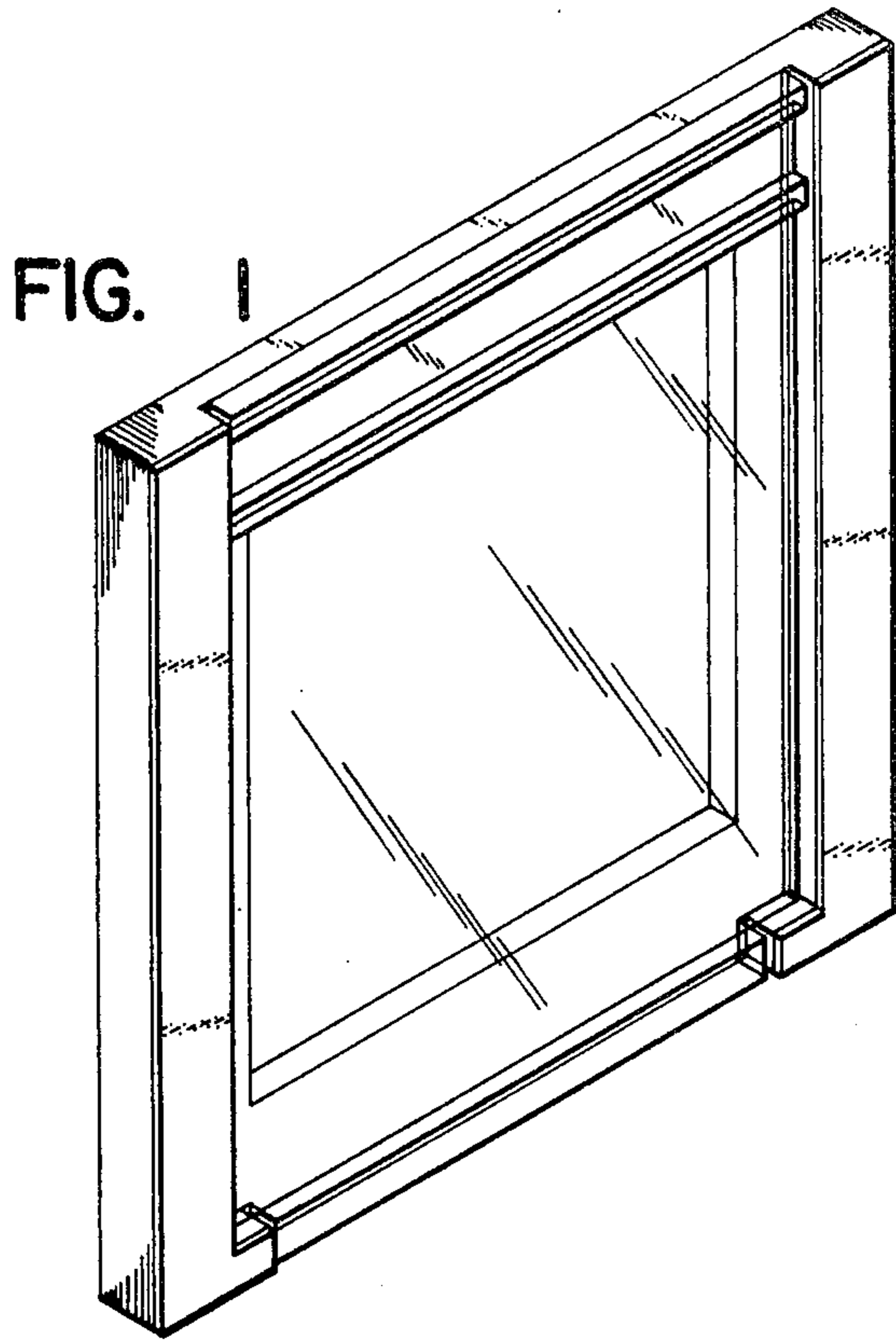
[57] **CLAIM**

The ornamental design for a picture frame, as shown  
and described.

**DESCRIPTION**

FIG. 1 is a rear perspective view of a picture frame  
showing my new design;  
FIG. 2 is a front elevational view thereof;  
FIG. 3 is a rear elevational view thereof;  
FIG. 4 is a left side elevational view thereof, the side  
opposite being a mirror image;  
FIG. 5 is a top plan view thereof;  
FIG. 6 is a bottom plan view thereof;  
FIG. 7 is a sectional view as seen along the section line  
7-7 of FIG. 3.

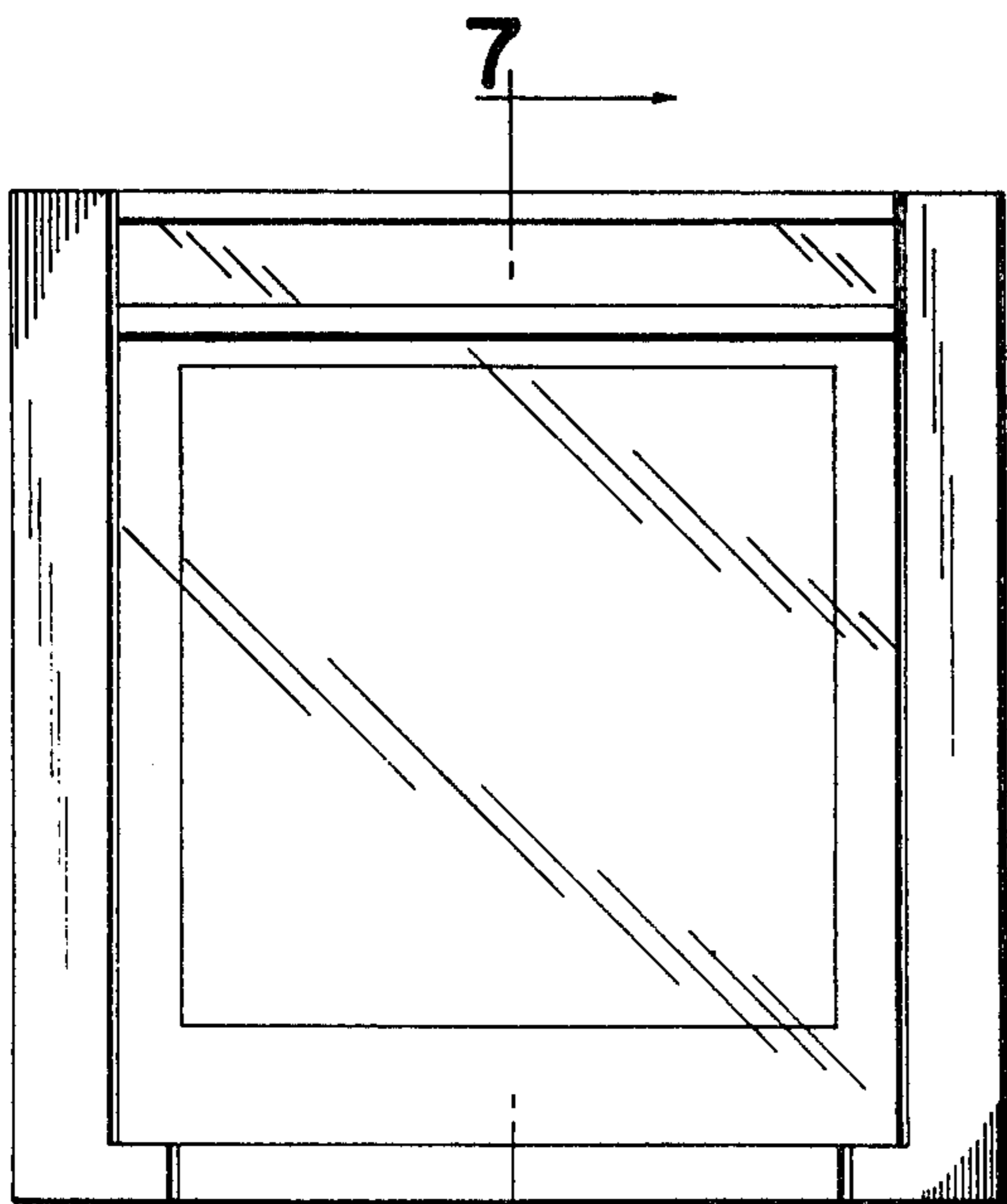




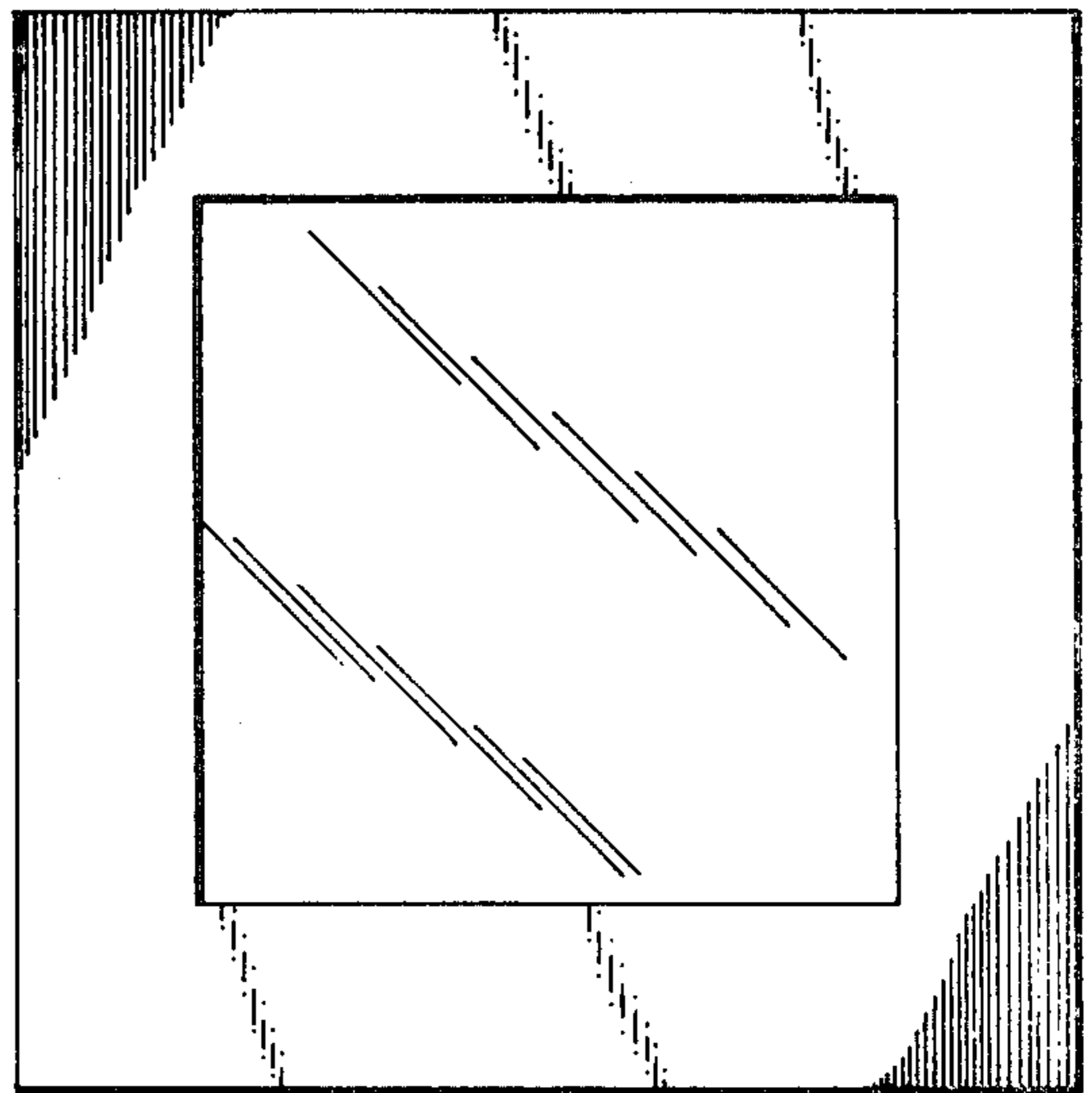
**FIG. 4**



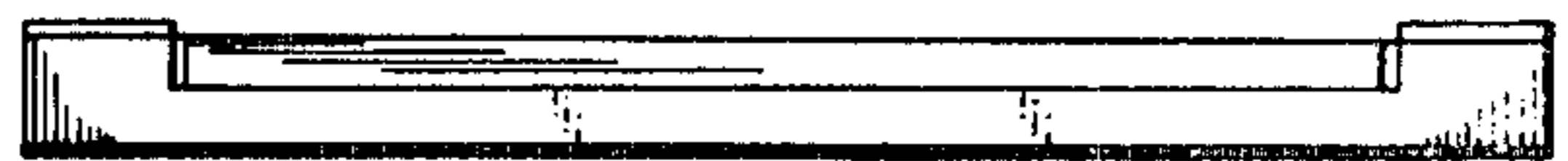
**FIG. 7**



**7** → **FIG. 3**



**FIG. 2**



**FIG. 5**



**FIG. 6**