

[54] **FURNITURE BASE OR SIMILAR ARTICLE**

[75] **Inventor: Hermann Locher, Dornach, Switzerland**
[73] **Assignee: Giroflex Entwicklungs AG, Koblenz, Switzerland**

[**] **Term: 14 Years**

[21] **Appl. No.: 328,452**

[22] **Filed: Dec. 7, 1981**

[30] **Foreign Application Priority Data**

Aug. 3, 1981 [CH] Switzerland 000/900
[52] **U.S. Cl. D6/498**
[58] **Field of Search D6/26, 30, 31, 196**

[56]

References Cited

U.S. PATENT DOCUMENTS

D. 267,680 1/1983 Leffler et al. D6/30

OTHER PUBLICATIONS

Interiors, Sep. 1980, p. 38, Chair Base by Koepke.
Design Catalog, Sep. 1978, p. 42, Table by Castelli.

Primary Examiner—Bruce W. Dunkins
Attorney, Agent, or Firm—Werner W. Kleeman

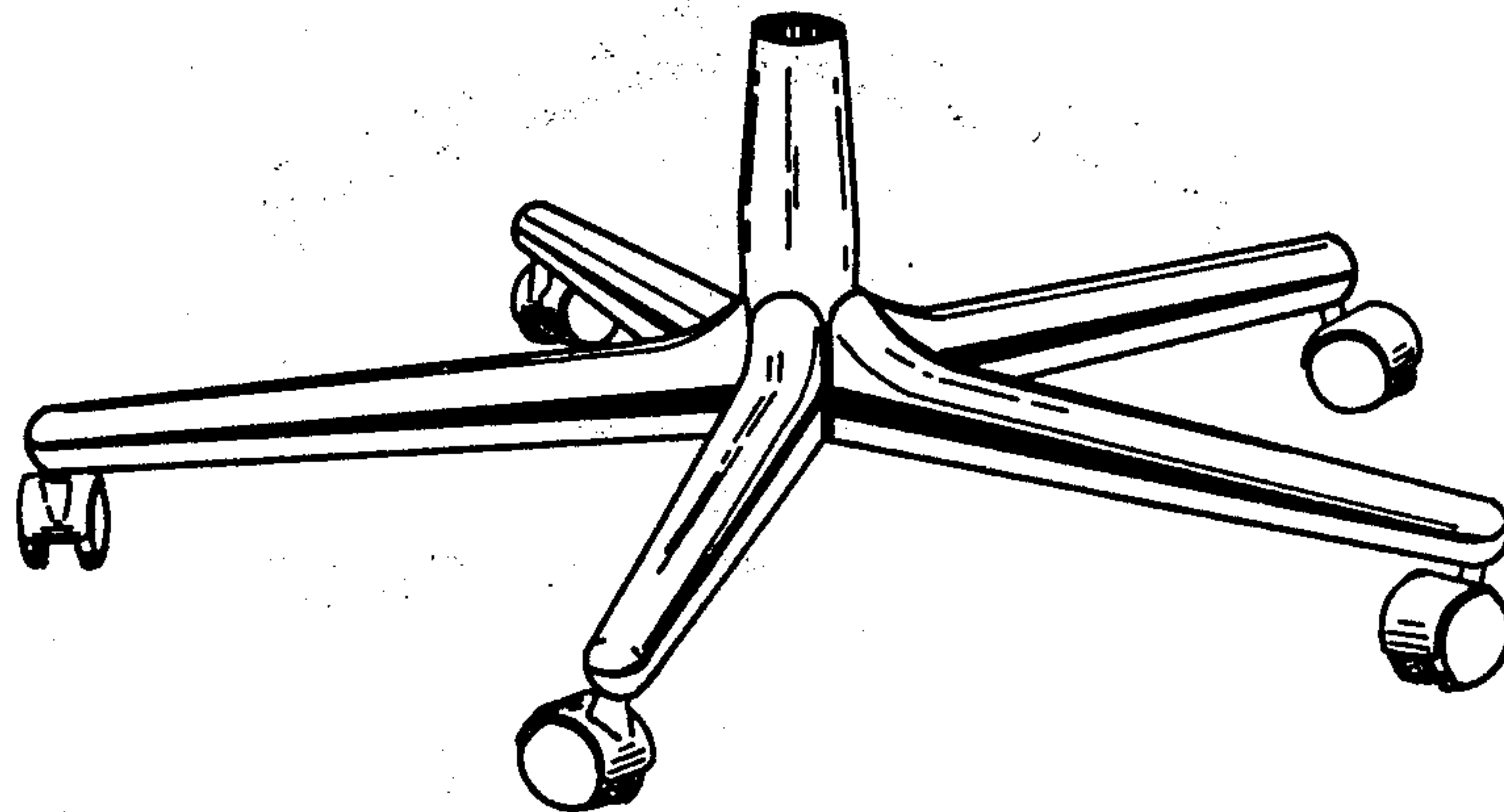
[57]

CLAIM

The ornamental design for a furniture base or similar article, as shown and described.

DESCRIPTION

FIG. 1 is a perspective front view of a furniture base or similar article incorporating my invention;
FIG. 2 is a top side view thereof;
FIG. 3 is a bottom view thereof; and
FIG. 4 is a sectional view through one of the radial leg extensions of my furniture base.



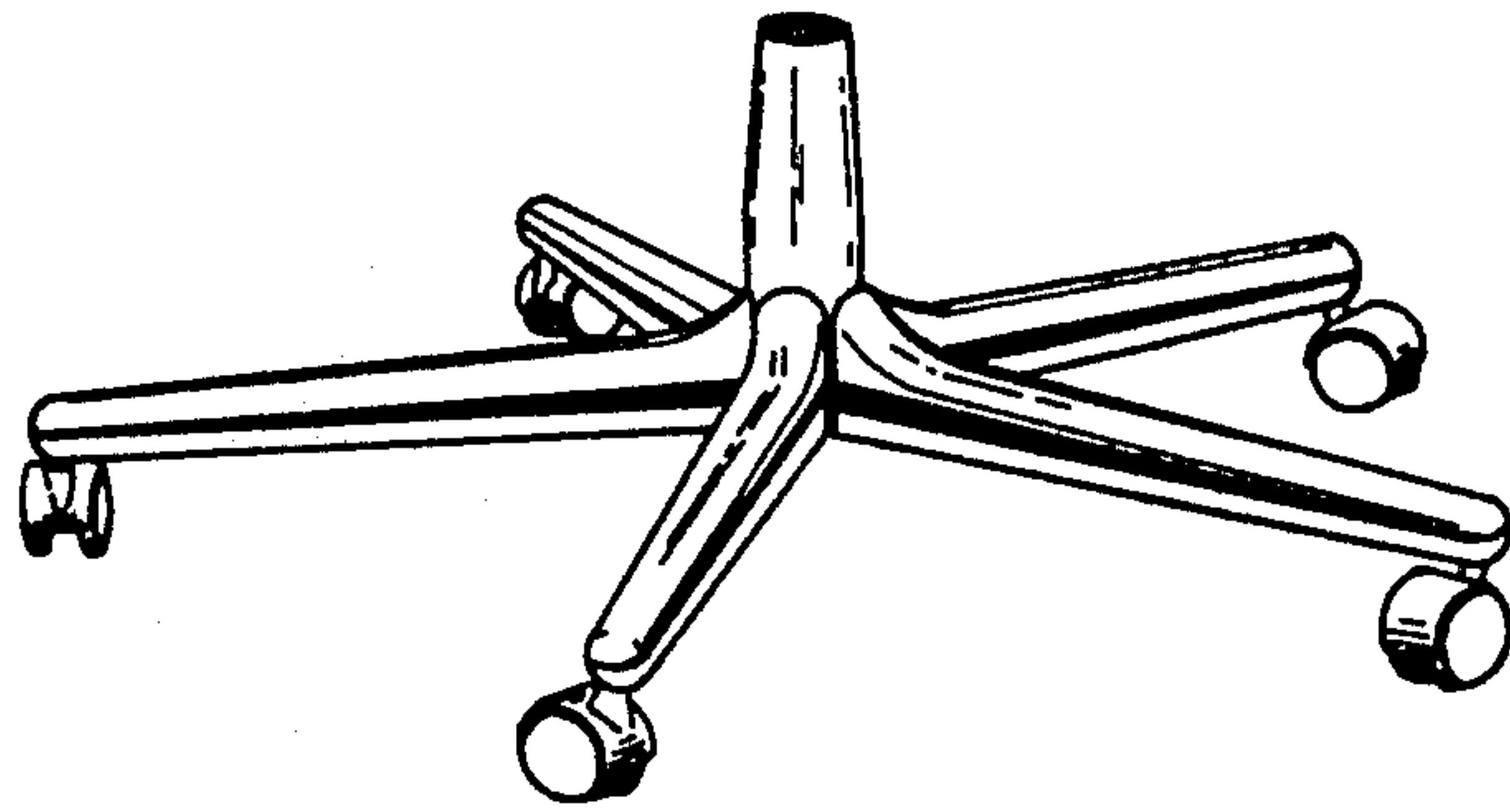


FIG. 1

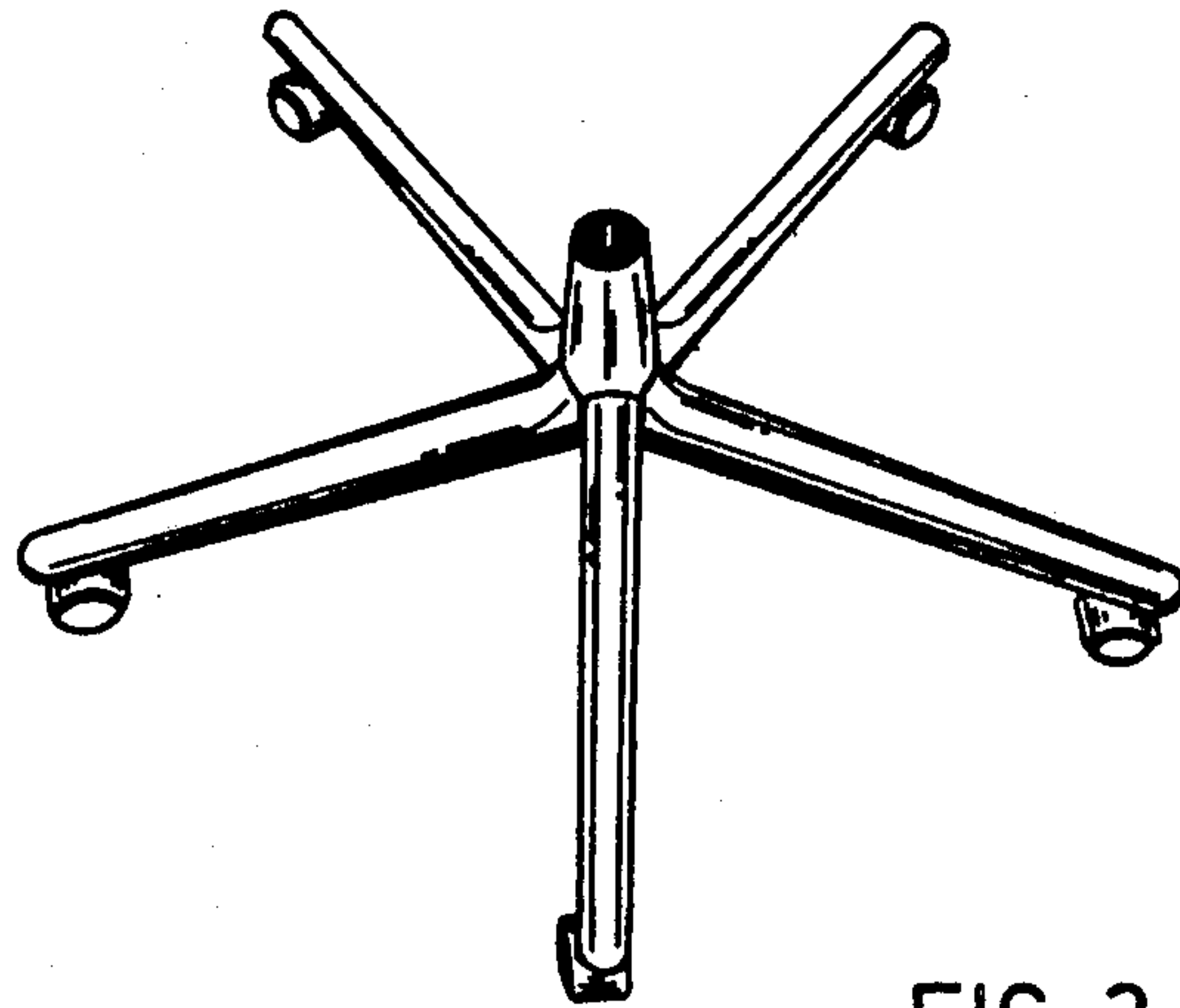


FIG. 2

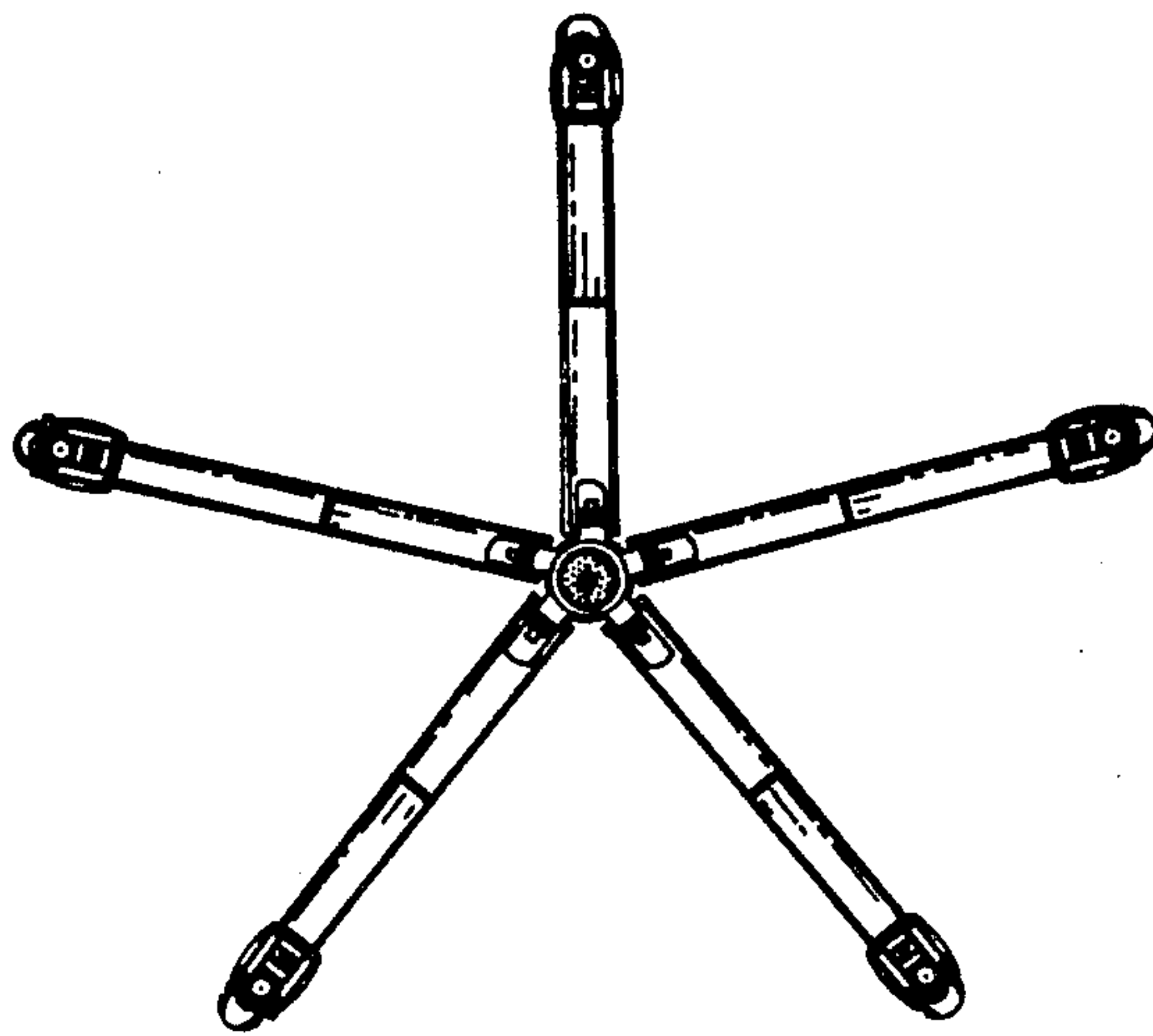


FIG. 3

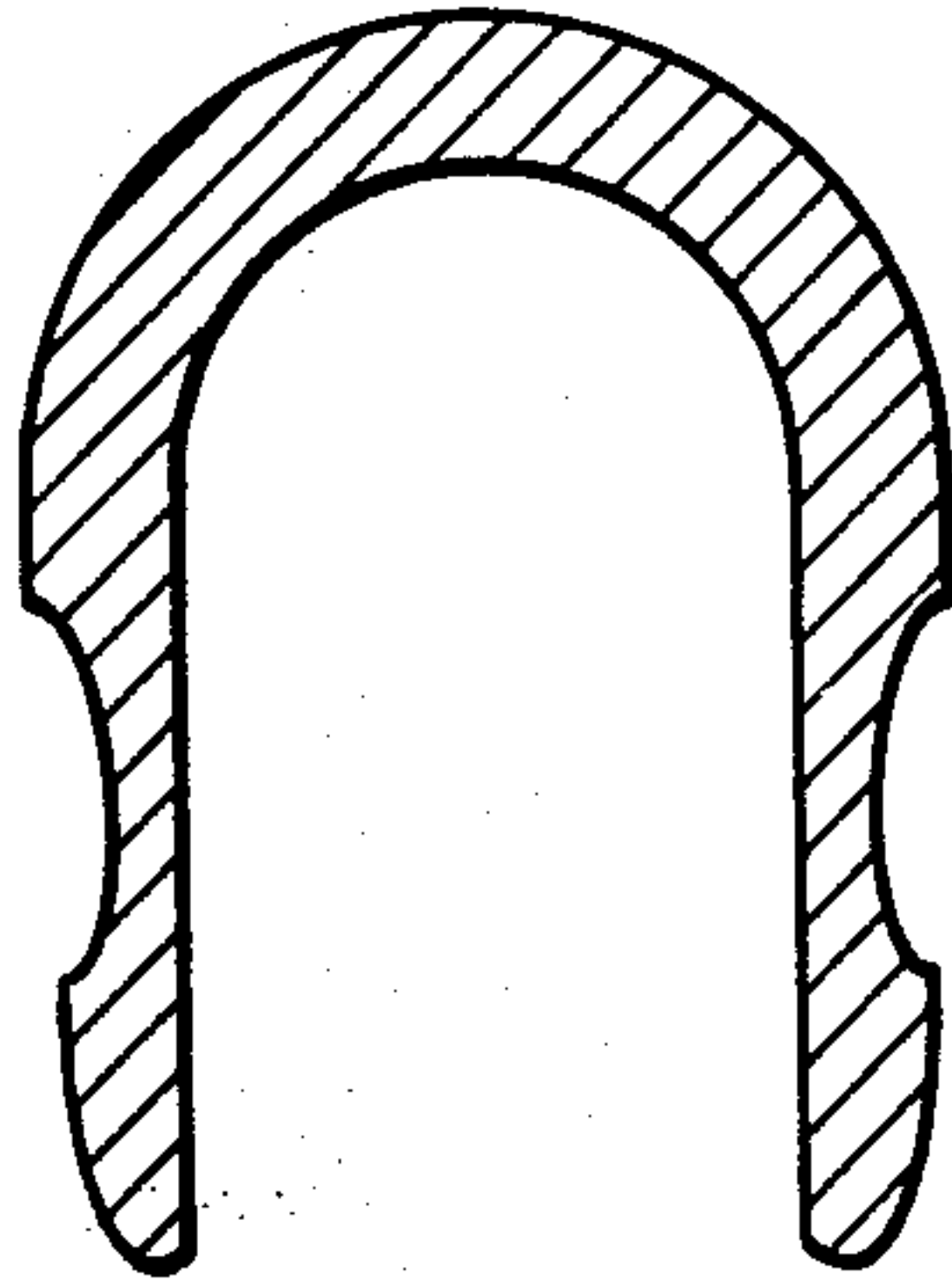


FIG. 4