

# United States Patent [19]

Andersson

[11] Patent Number: **Des. 276,395**

[45] Date of Patent: **\*\* Nov. 20, 1984**

[54] **AUTOMATIC LOZENGE BOX DISPENSER**

[75] Inventor: **Urban Andersson, Ljungbro, Sweden**

[73] Assignee: **AB Cloetta, Sweden**

[\*\*] Term: **14 Years**

[21] Appl. No.: **361,774**

[22] Filed: **Mar. 25, 1982**

[30] **Foreign Application Priority Data**

Sep. 29, 1981 [SE] Sweden ..... 81-2126

[52] U.S. Cl. .... **D6/462; D6/467**

[58] Field of Search ..... **D6/85, 188, 186, 189; 211/51, 49 R, 49 D, 59.3; 312/45, 71**

[56] **References Cited**

**U.S. PATENT DOCUMENTS**

D. 191,082 8/1961 Tigner ..... D6/190

2,110,299 3/1938 Hinkle ..... 211/49 D  
2,954,128 9/1960 Gordon ..... 211/59.3

*Primary Examiner*—Bernard Ansher  
*Assistant Examiner*—Carmen H. Vales  
*Attorney, Agent, or Firm*—Ostrolenk, Faber, Gerb & Soffen

[57] **CLAIM**

The ornamental design for an automatic lozenge box dispenser, as shown and described.

**DESCRIPTION**

FIG. 1 is a rear perspective view of an automatic lozenge box dispenser showing my new design; FIG. 2 is a front perspective view thereof; FIG. 3 is an enlarged right side elevational view thereof; FIG. 4 is a front elevational view thereof; and FIG. 5 is a rear perspective view with part of the dispenser removed for convenience of illustration.

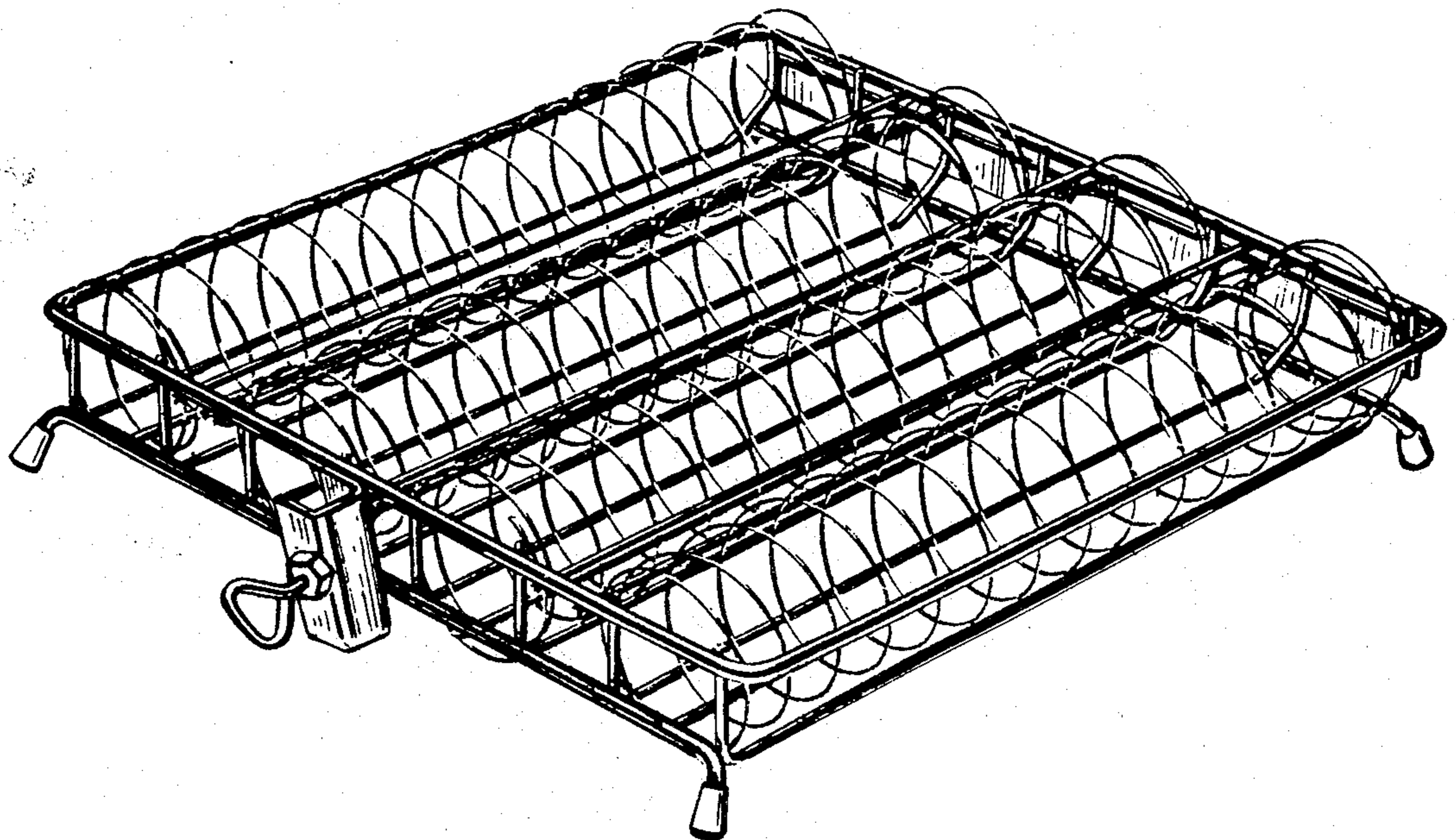


FIG. 1.

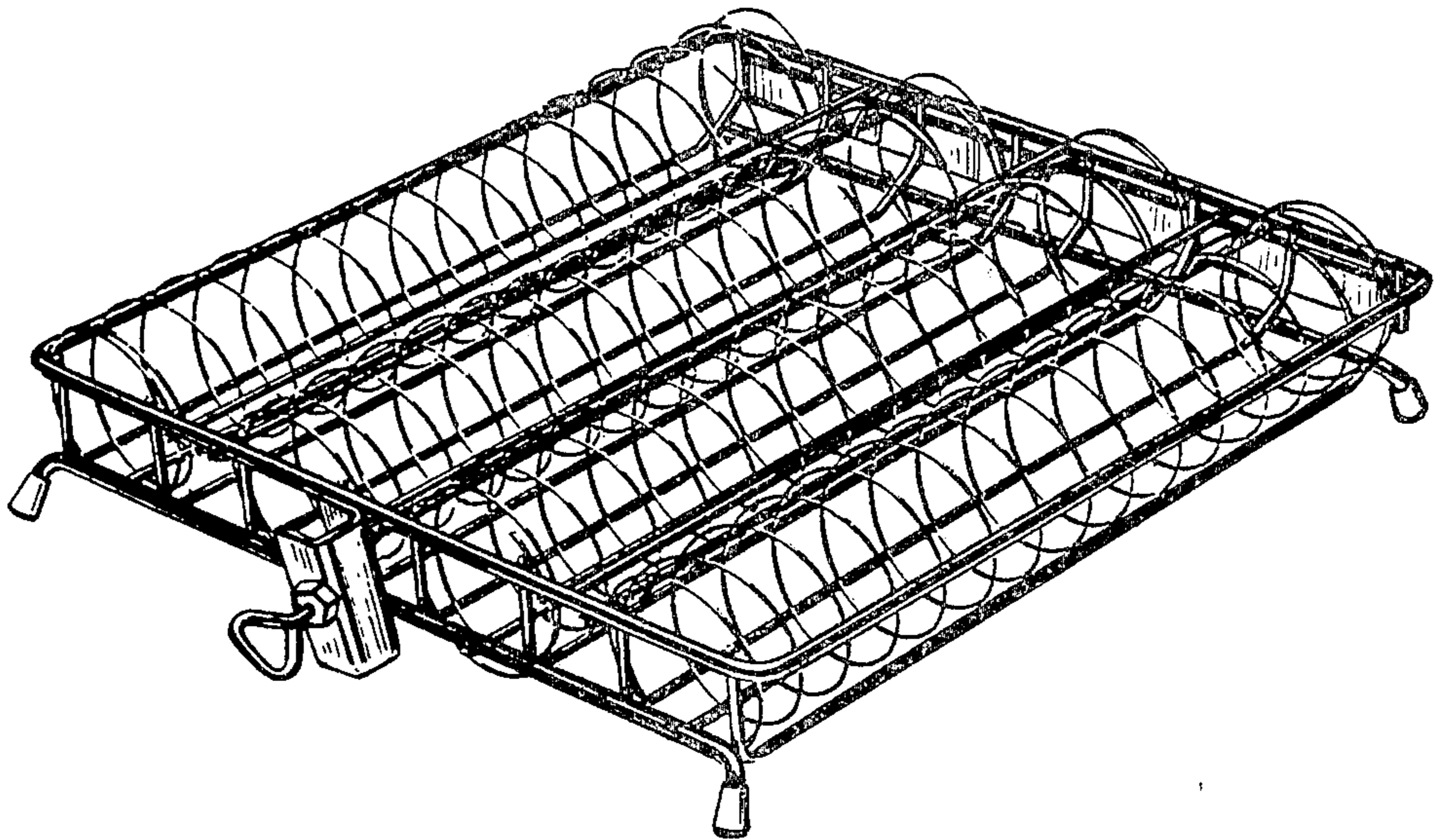


FIG. 2.

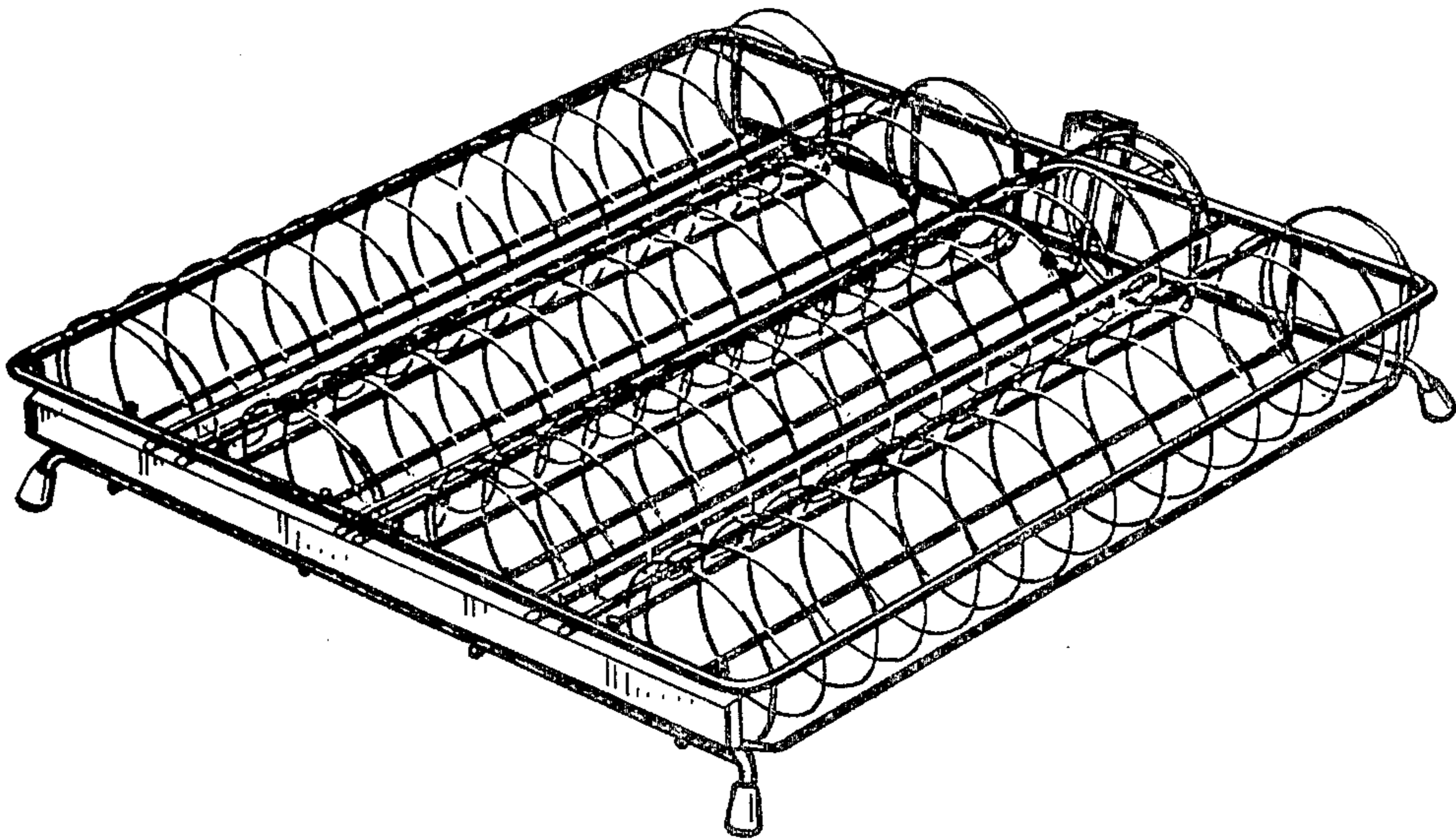


FIG. 3.

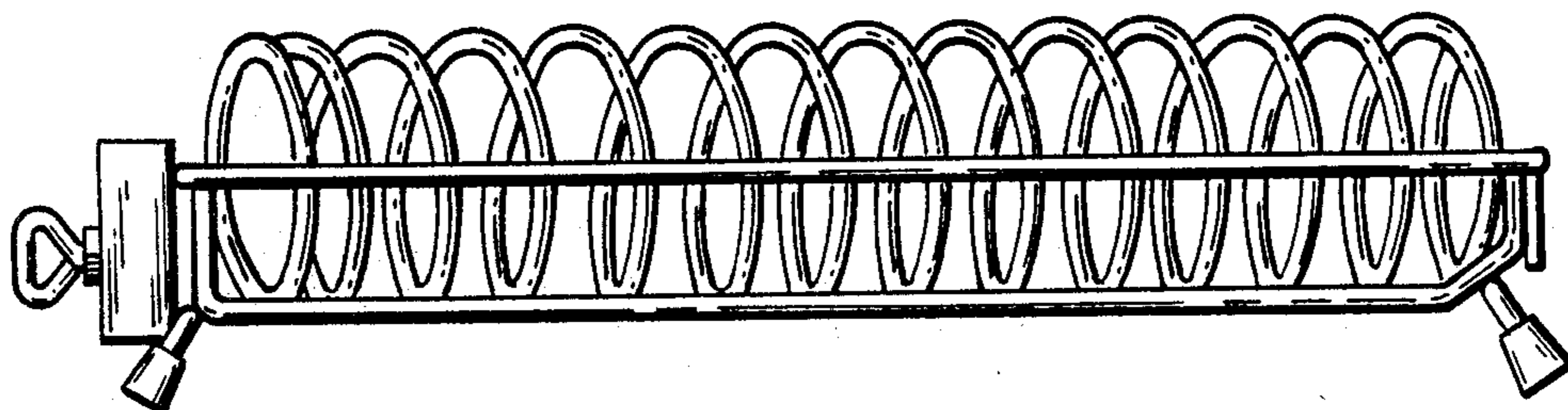


FIG. 4.

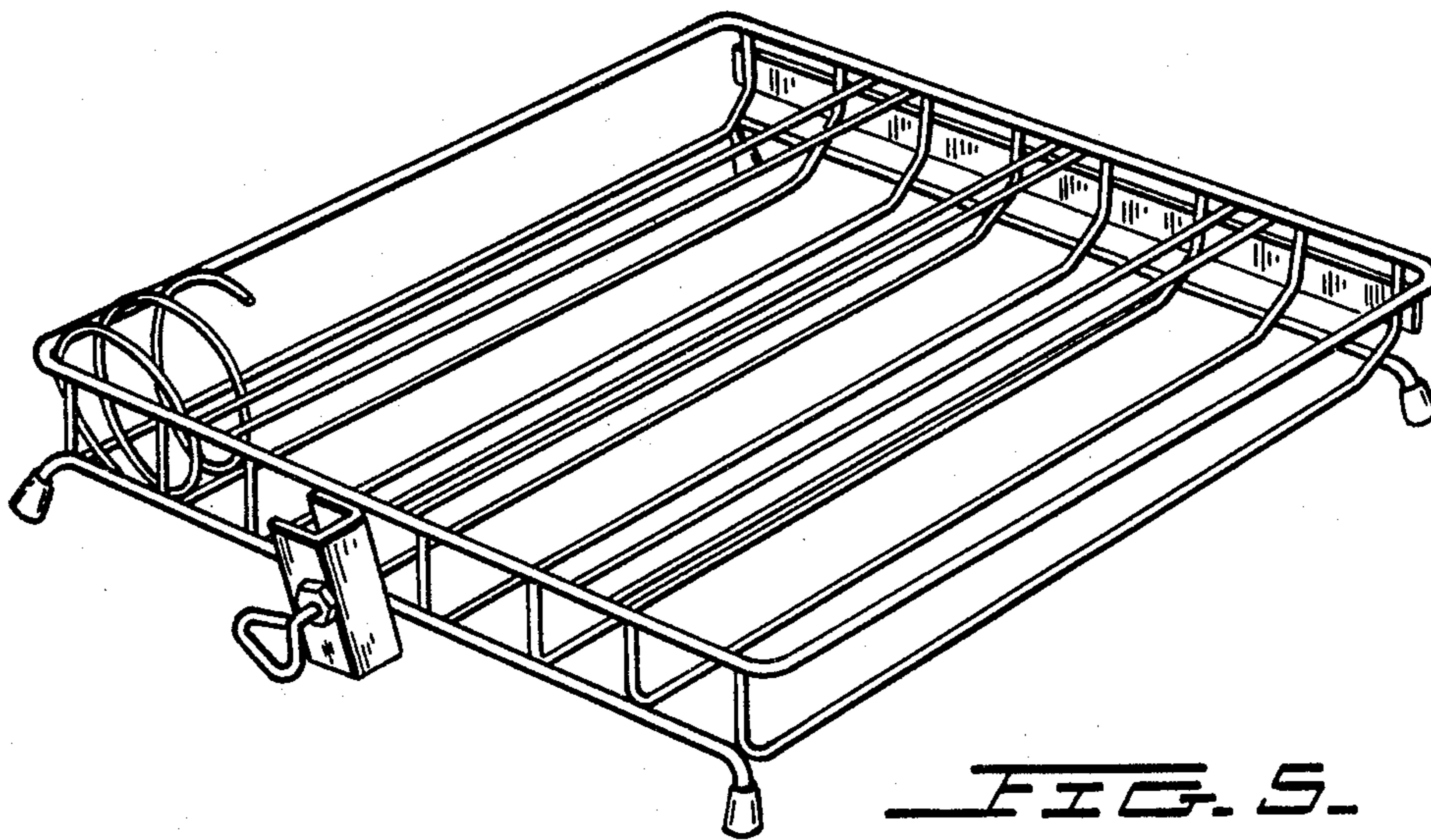
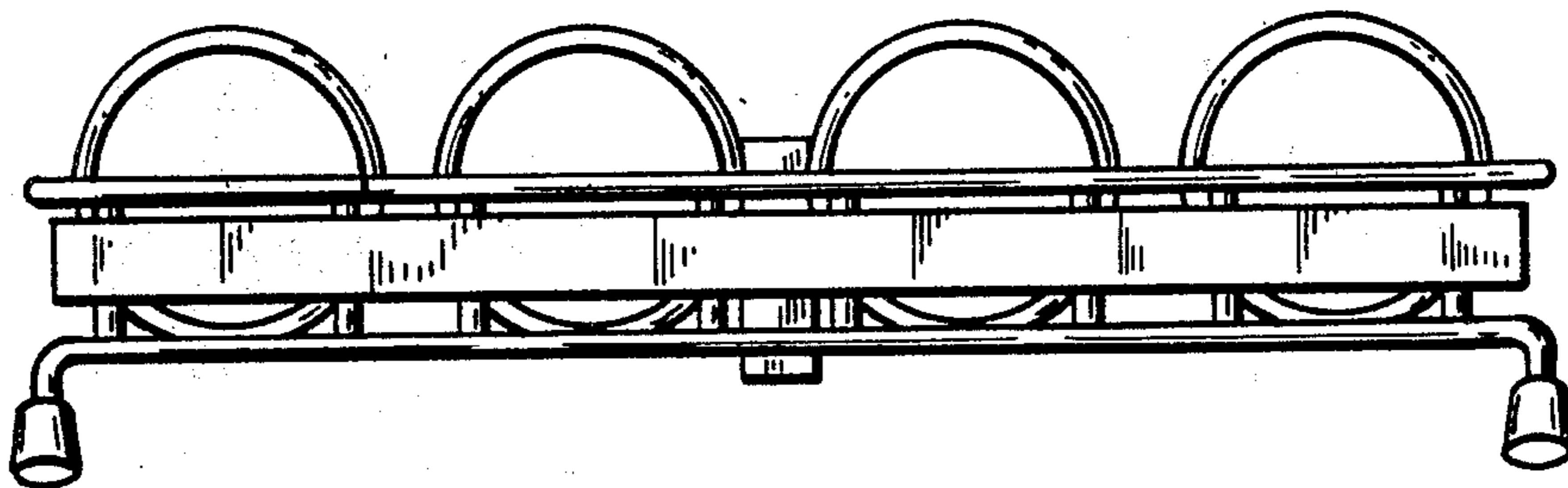


FIG. 5.