

[54] **DESK**

[76] **Inventor:** John W. Foyle, St. Nicholas House,  
55 Stambridge Rd., Rochford, Essex  
SS4 1DY, England

[\*\*] **Term:** 14 Years

[21] **Appl. No.:** 305,505

[22] **Filed:** Sep. 25, 1981

[30] **Foreign Application Priority Data**

Apr. 7, 1981 [GB] United Kingdom ..... 999831  
[52] **U.S. Cl.** ..... D6/483; D6/423  
[58] **Field of Search** ..... D6/162, 161, 177, 179;  
D24/1.1

[56] **References Cited**

**U.S. PATENT DOCUMENTS**

D. 180,995 9/1957 Carlson ..... D24/1.1 X  
D. 229,529 12/1973 Gallagher et al. .... D6/177  
D. 242,832 12/1976 Swensson ..... D6/186 X  
D. 253,442 11/1979 Winig ..... D6/162

*Primary Examiner*—Bruce W. Dunkins  
*Attorney, Agent, or Firm*—Brumbaugh, Graves,  
Donohue & Raymond

[57] **CLAIM**

The ornamental design for a desk, as shown.

**DESCRIPTION**

FIG. 1 is a perspective view of a desk showing my design,  
FIG. 2 is a plan view from above thereof;  
FIG. 3 is a front end view thereof;  
FIG. 4 is a plan view from below thereof;  
FIG. 5 is a side view thereof, and  
FIG. 6 is a view from the other side thereof.

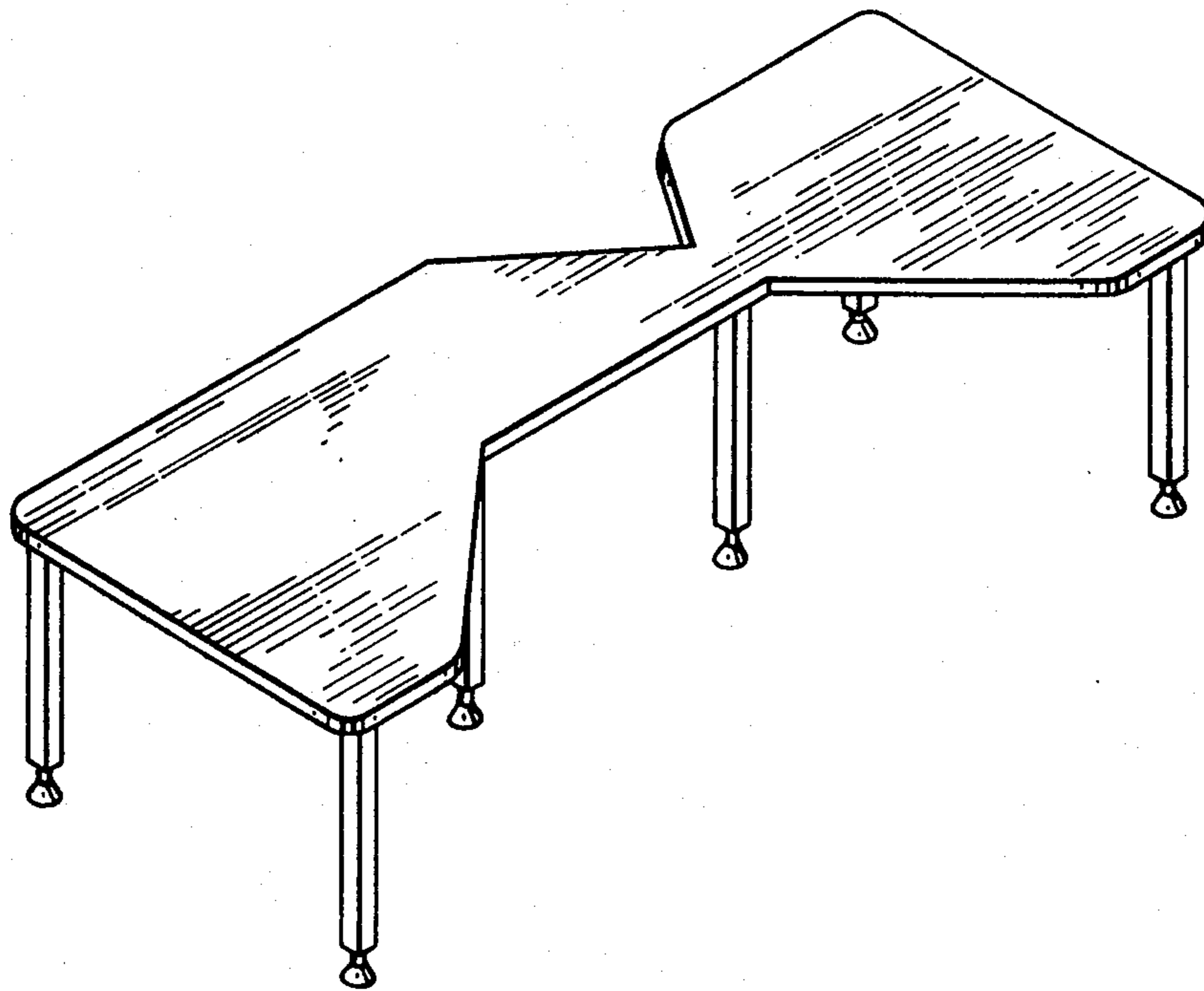


FIG. 1.

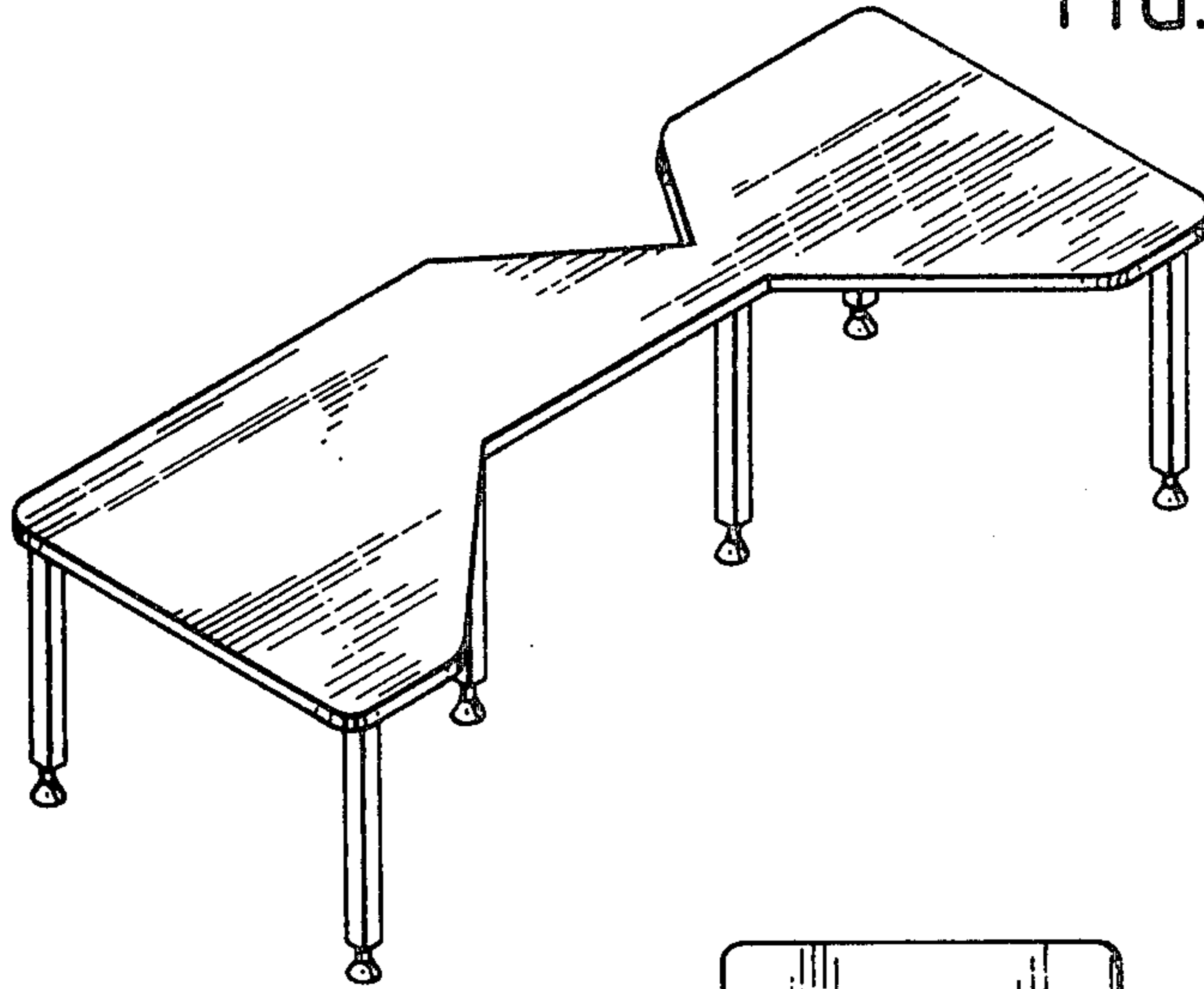


FIG. 2.

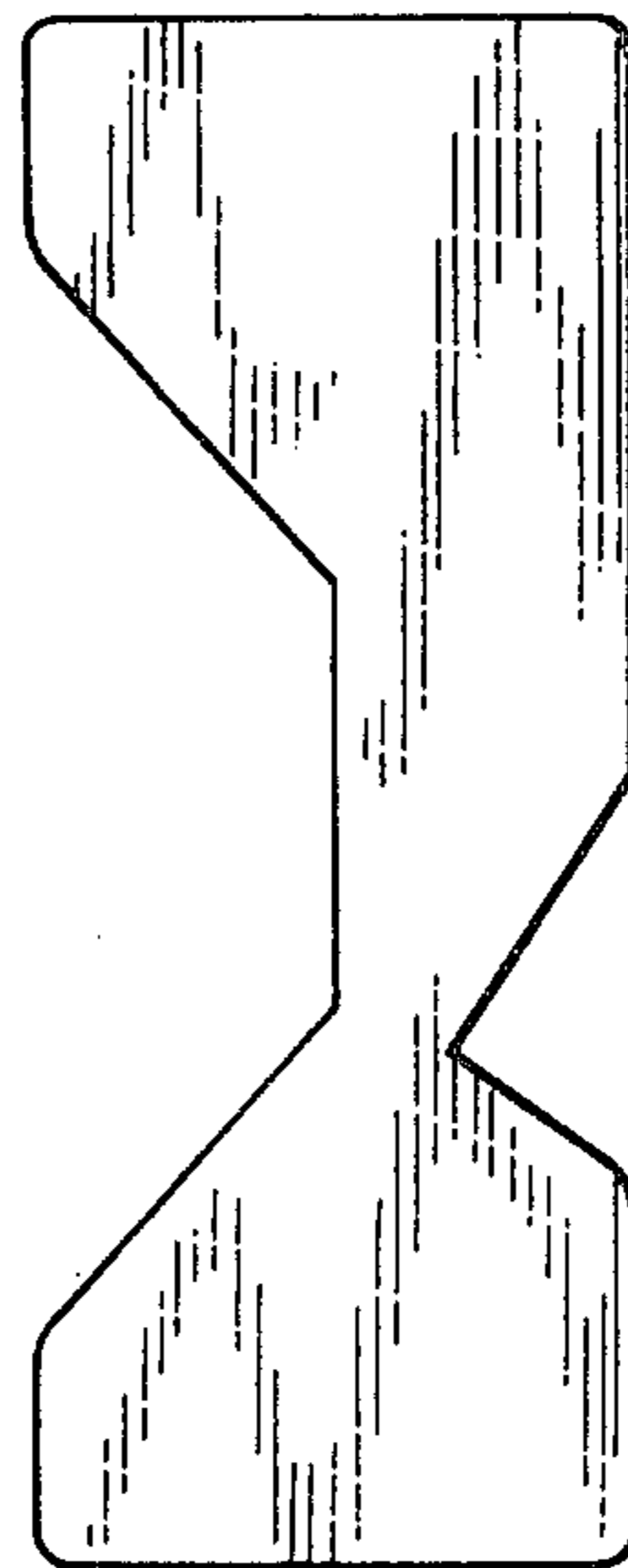
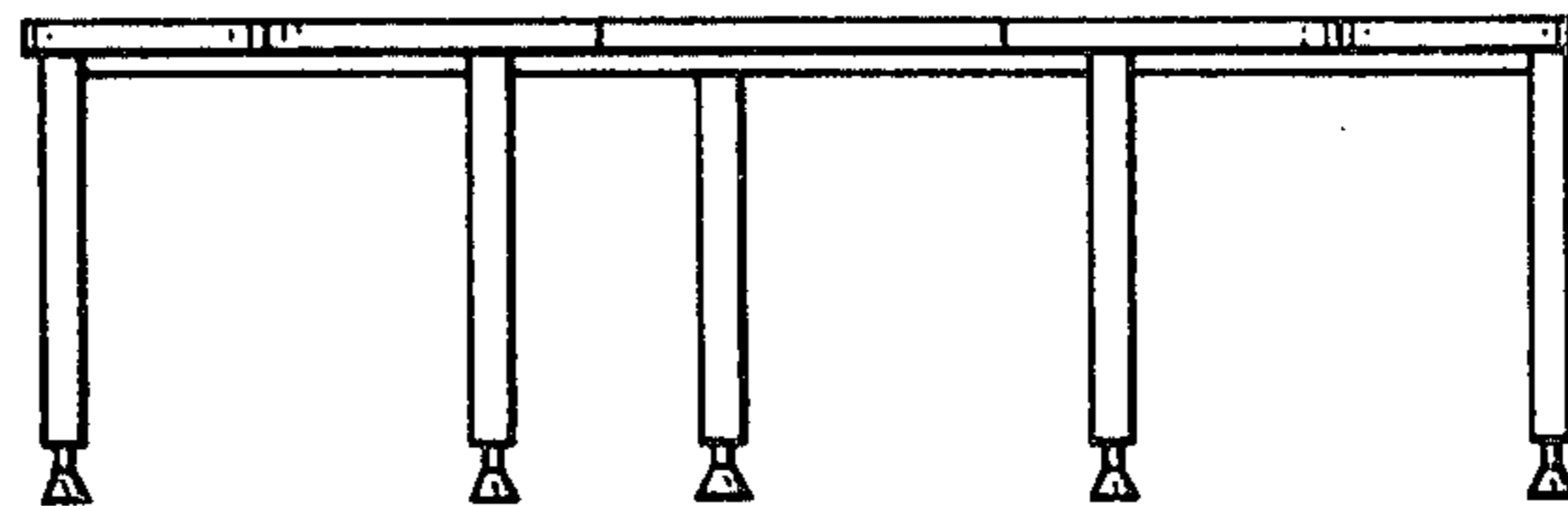


FIG. 3.



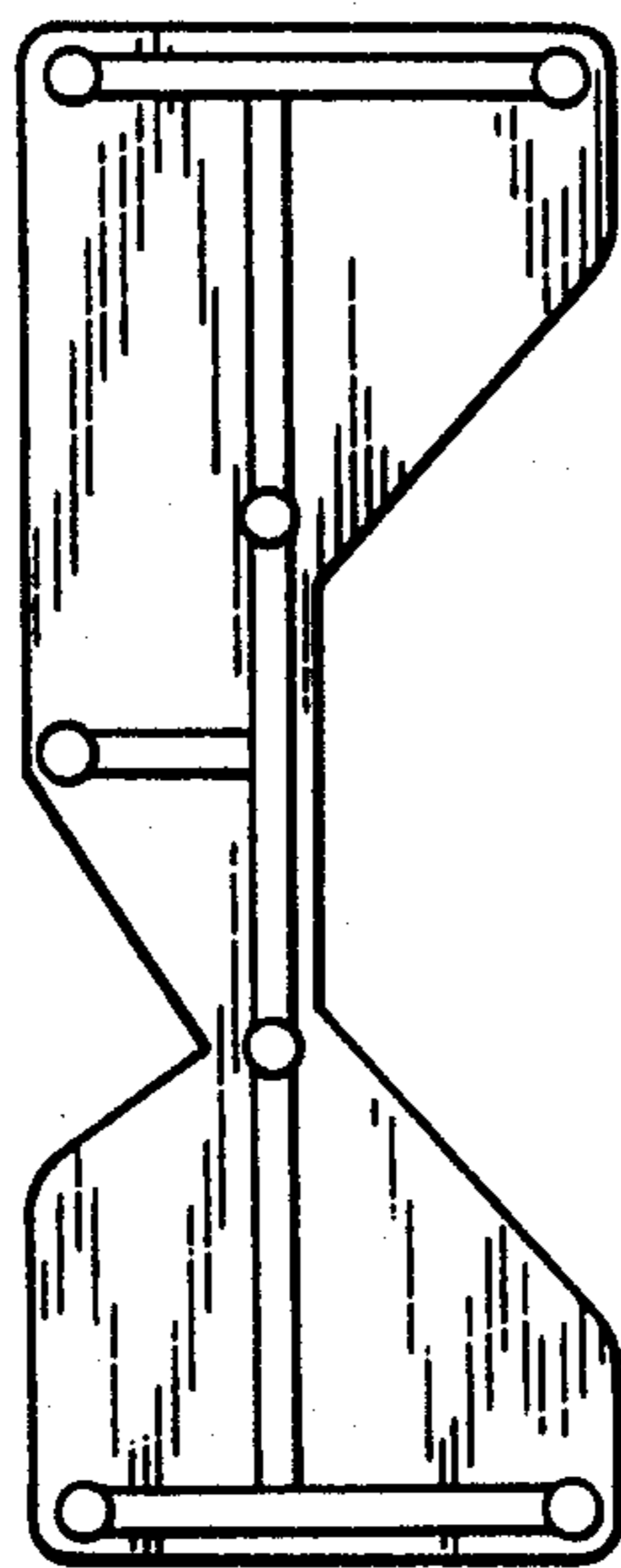


FIG. 4.

FIG. 5.

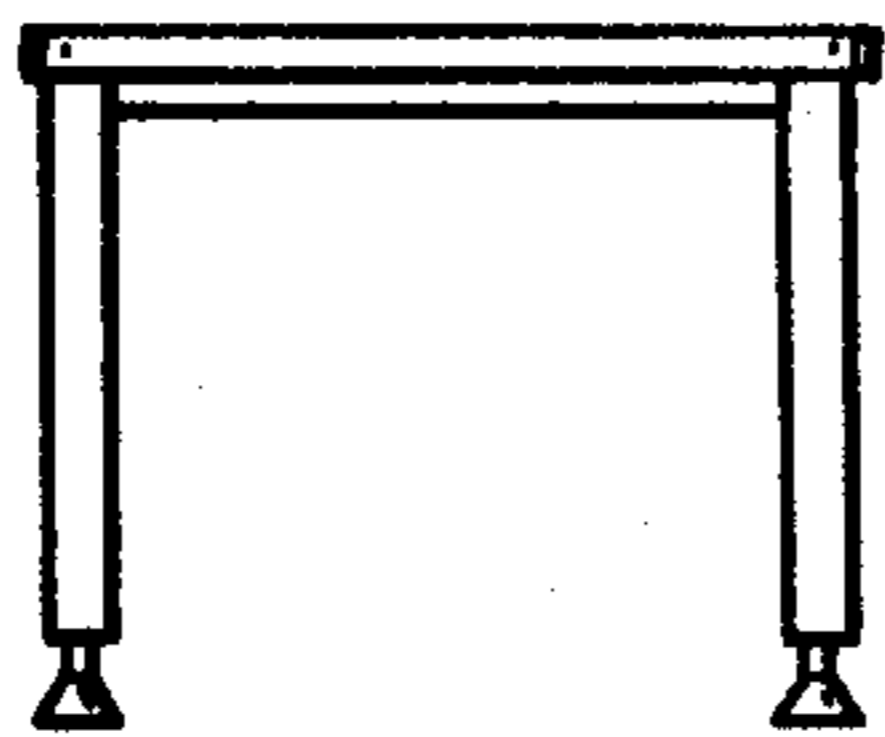


FIG. 6.

