

United States Patent [19]

Foyle

[11] Patent Number: **Des. 276,393**

[45] Date of Patent: **** Nov. 20, 1984**

[54] **DESK**

[76] Inventor: **John W. Foyle, St. Nicholas House,
55 Stambridge Rd., Rochford, Essex
SS4 1DY, United Kingdom**

[**] Term: **14 Years**

[21] Appl. No.: **305,503**

[22] Filed: **Sep. 25, 1981**

[30] **Foreign Application Priority Data**

Jan. 1, 1981 [GB] United Kingdom 819738

[52] U.S. Cl. **D6/483; D6/423**

[58] Field of Search **D6/161-186**

[56] **References Cited**

U.S. PATENT DOCUMENTS

D. 183,361 8/1958 McCarthy et al. D6/162

D. 201,971 8/1965 Mohon D6/181
D. 239,061 3/1976 D'Elia D6/162 X
D. 242,410 11/1976 Govlodze D6/186 X
D. 242,832 12/1976 Swensson D6/186 X

Primary Examiner—Bruce W. Dunkins
Attorney, Agent, or Firm—Brumbaugh, Graves,
Donohue & Raymond

[57] **CLAIM**

The ornamental design for a desk, as shown.

DESCRIPTION

FIG. 1 is a perspective view of a desk showing my design;

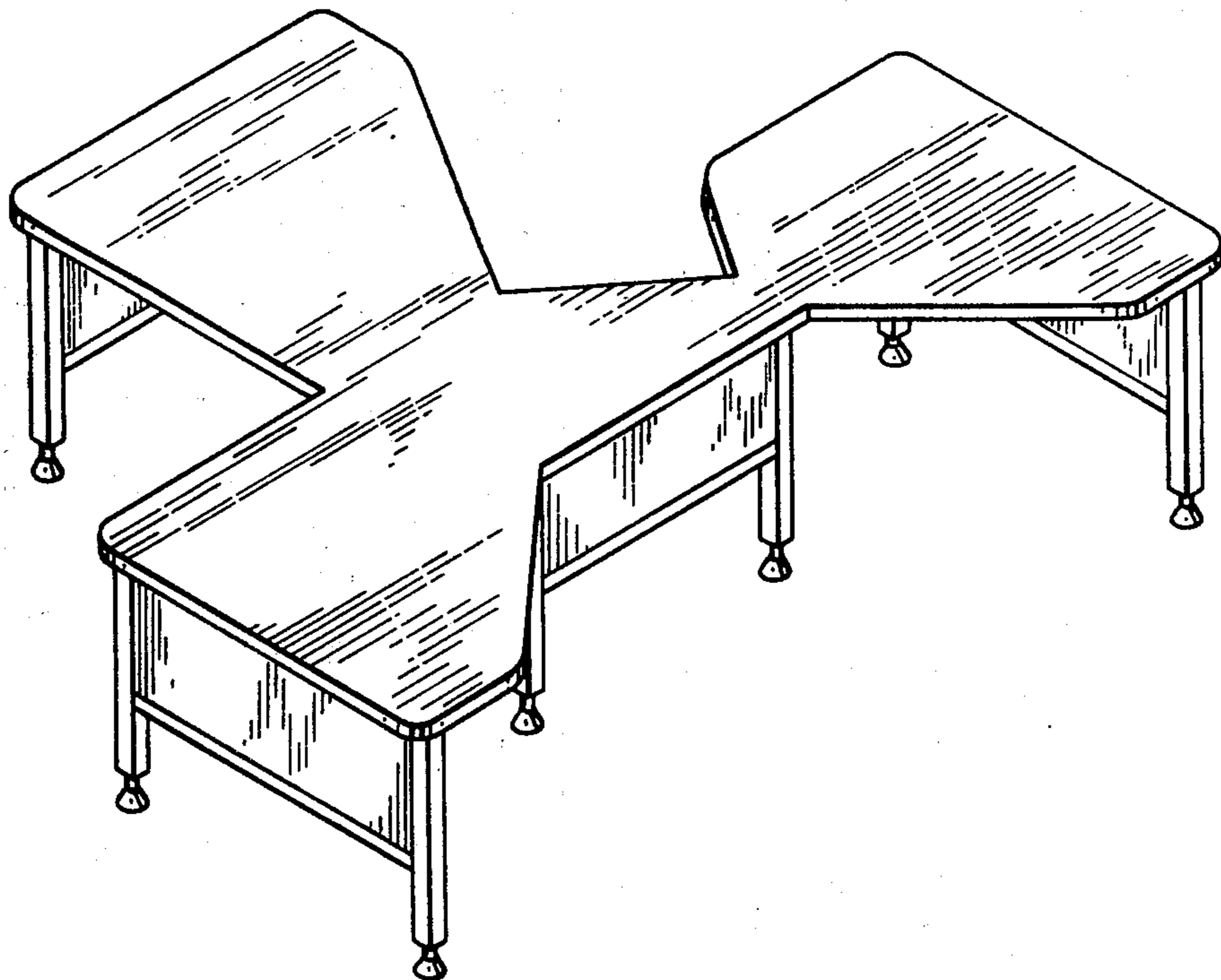
FIG. 2 is a plan view from above thereof;

FIG. 3 is a front end view thereof;

FIG. 4 is a plan view from below thereof;

FIG. 5 is a side view thereof, and

FIG. 6 is a view from the other side thereof.



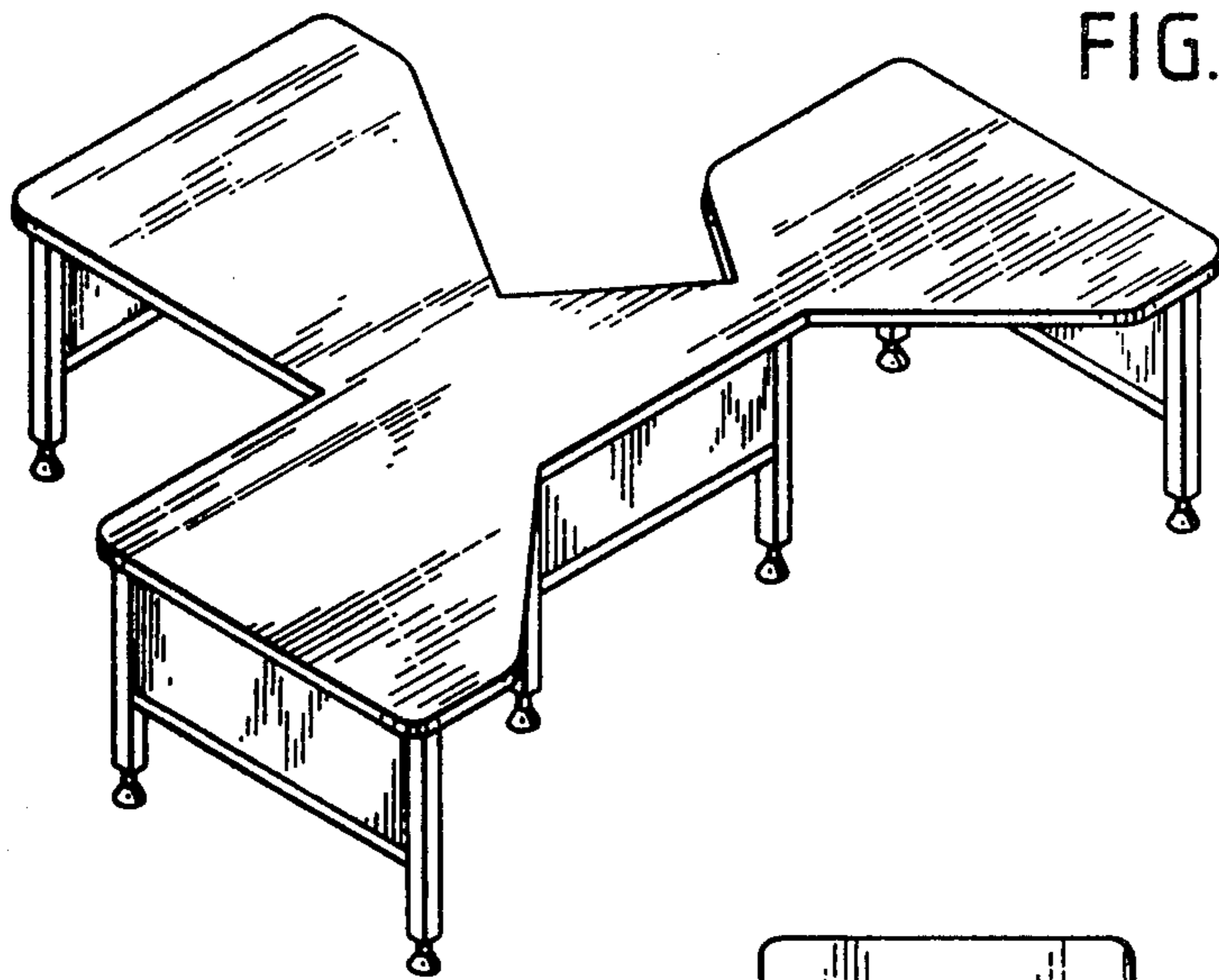


FIG. 1.

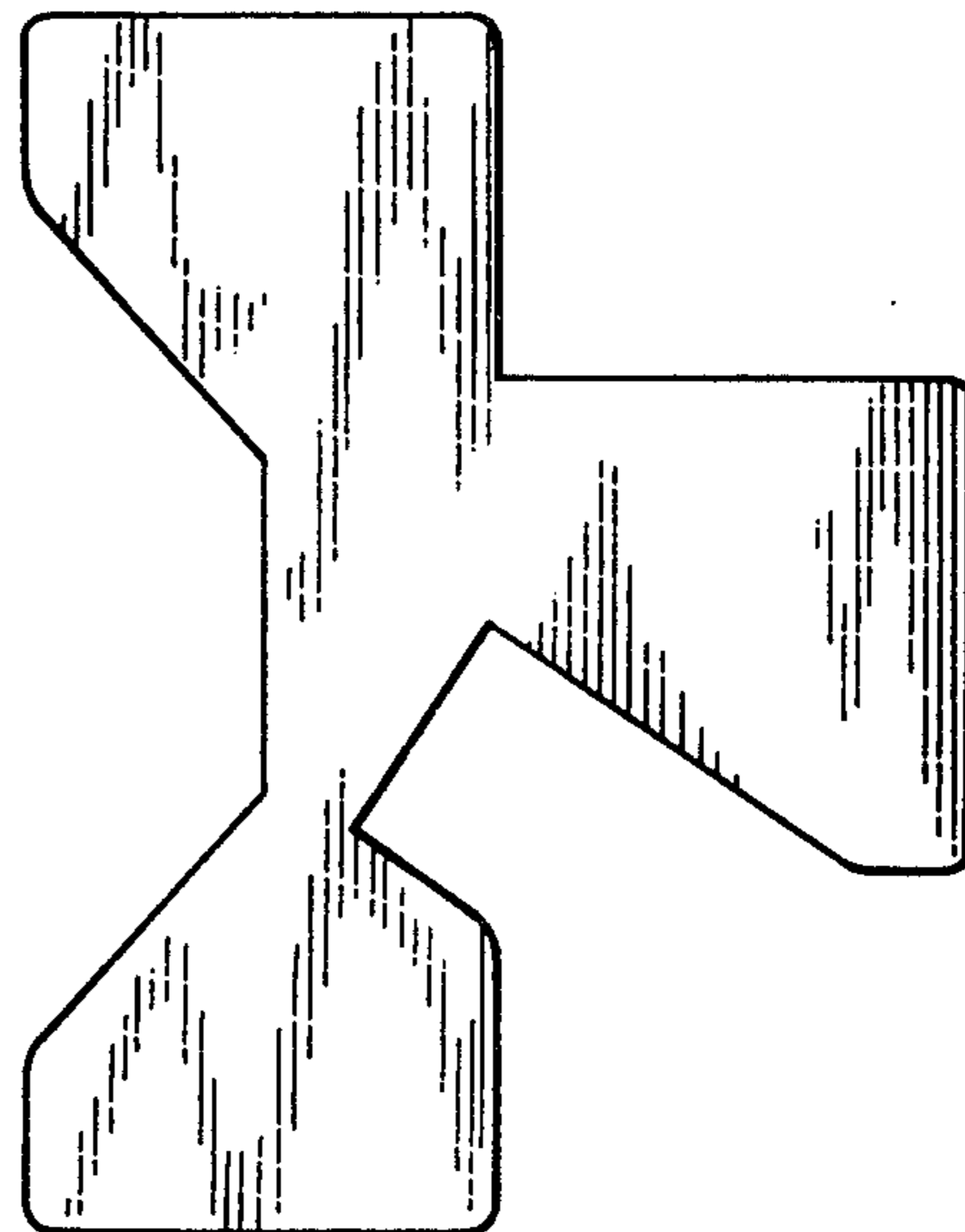
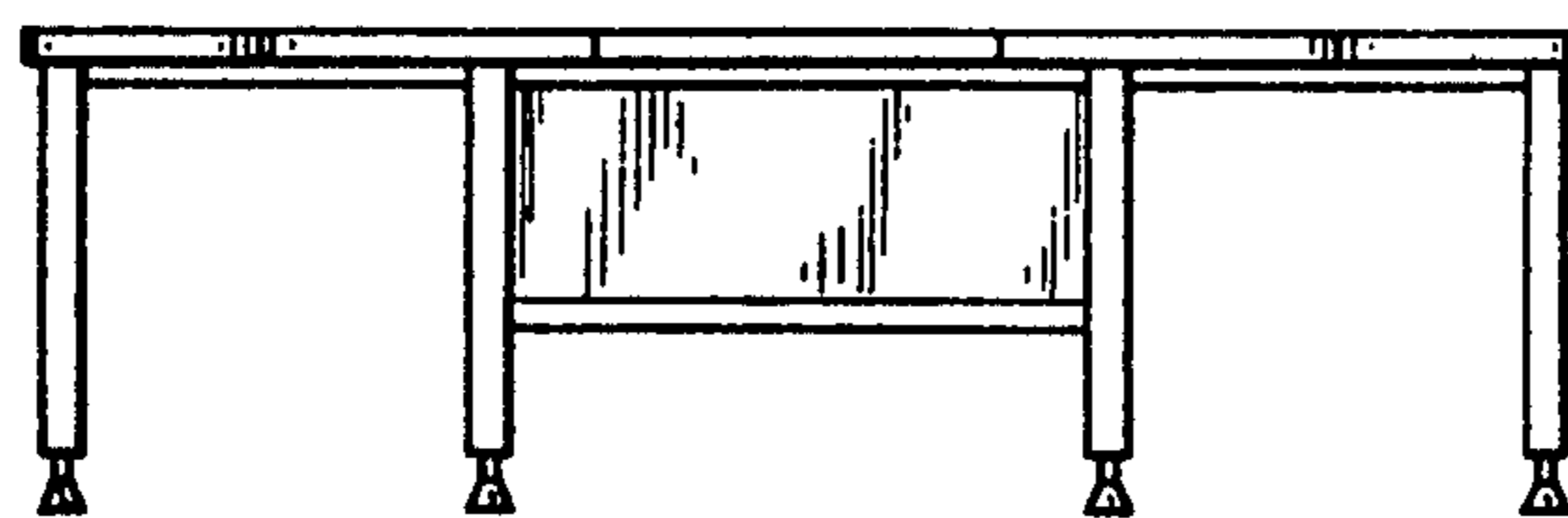


FIG. 2.

FIG. 3.



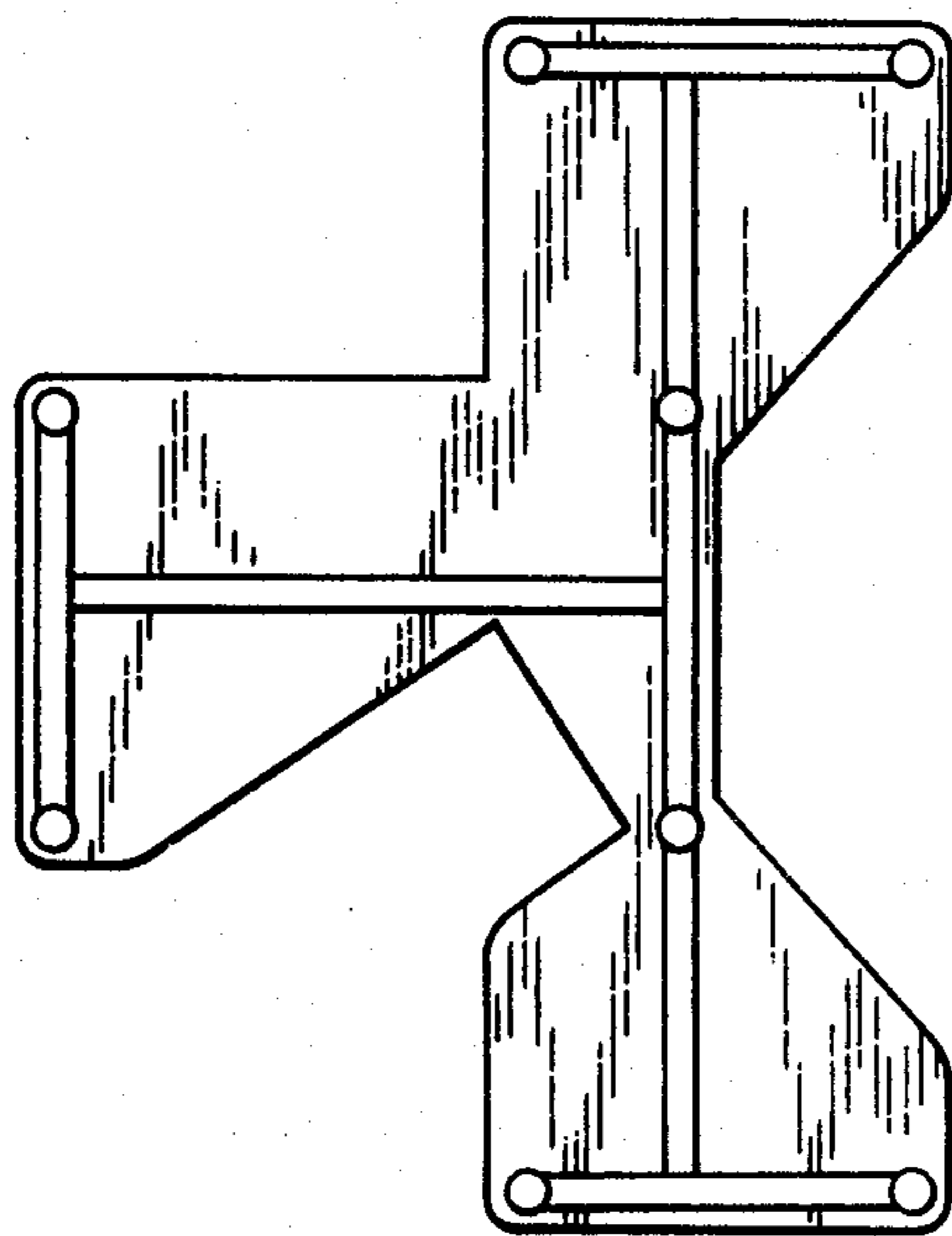


FIG. 4.

FIG. 5.

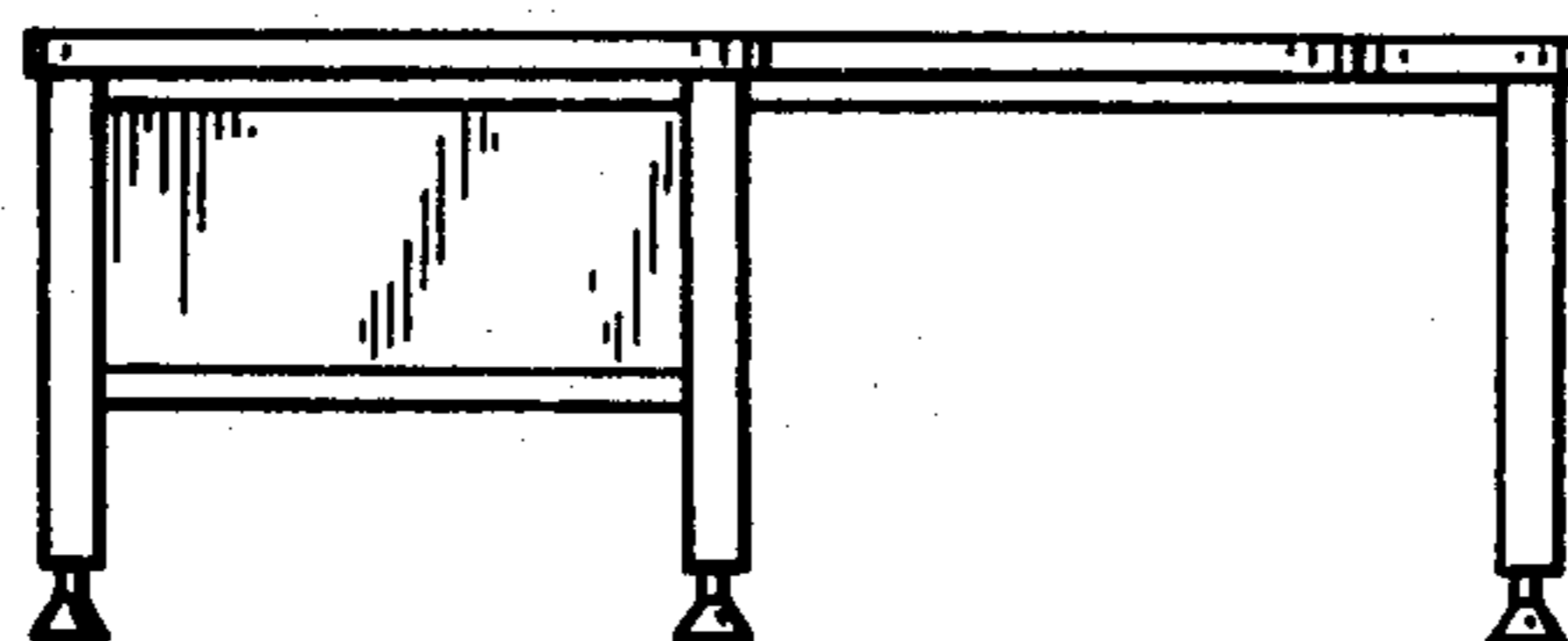
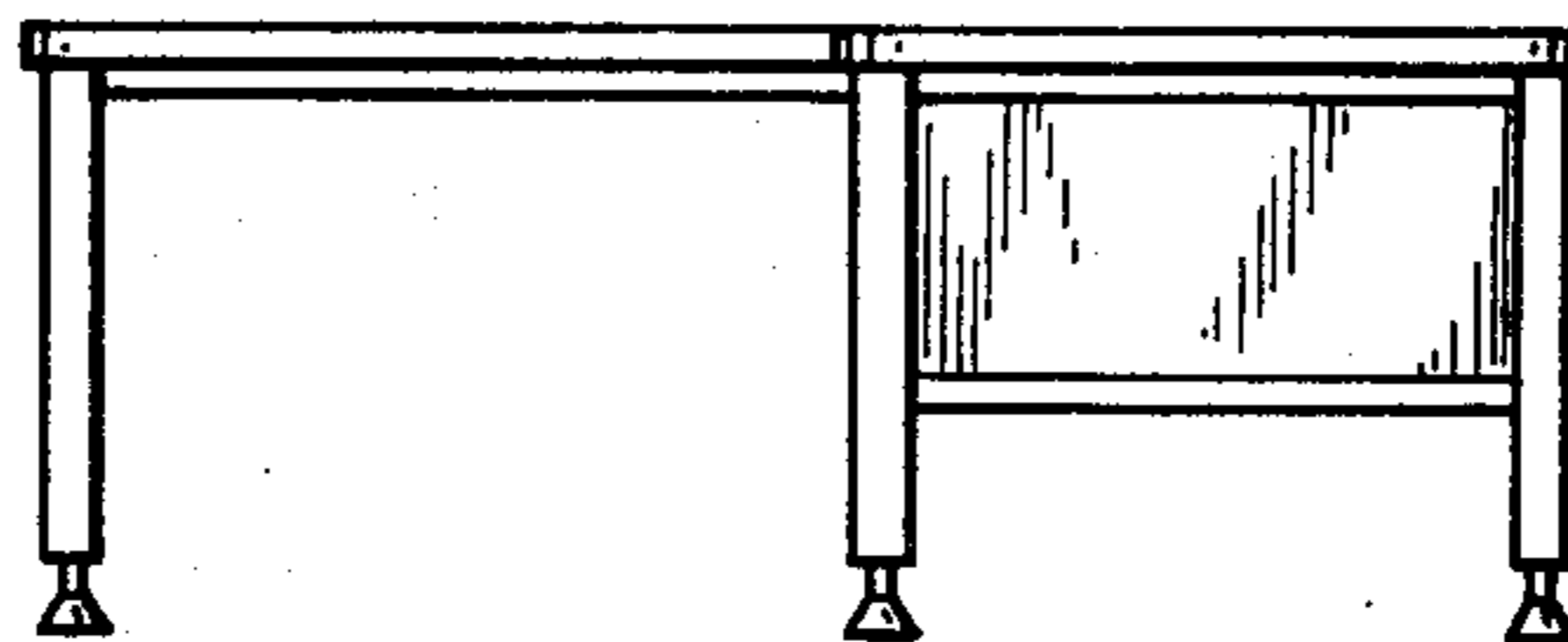


FIG. 6.



UNITED STATES PATENT AND TRADEMARK OFFICE
CERTIFICATE OF CORRECTION

PATENT NO. : Des. 276,393
DATED : November 20, 1984
INVENTOR(S) : John W. Foyle

It is certified that error appears in the above-identified patent and that said Letters Patent is hereby corrected as shown below:

First page, Item 30, "Jan. 1, 1981" should read --Apr. 1, 1981--.

Signed and Sealed this

Seventh Day of May 1985

[SEAL]

Attest:

DONALD J. QUIGG

Attesting Officer

Acting Commissioner of Patents and Trademarks