

[54] **DISPLAY RACK**

[75] **Inventor: Svante Karlsson, Halmstad, Sweden**

[73] **Assignee: Pido Inredningar Handelsbolac
Matty Och Svante Karlsson, Sweden**

[**] **Term: 14 Years**

[21] **Appl. No.: 402,286**

[22] **Filed: Jul. 27, 1982**

[52] **U.S. Cl. D6/553; D6/411;
D6/418; D6/320**

[58] **Field of Search D6/85, 114, 116, 117,
D6/118; D8/373, 380; 211/13, 87, 107, 110;
248/219.3, 219.4, 218.4, 230; 211/96, 99**

[56] **References Cited**

U.S. PATENT DOCUMENTS

D. 236,053 7/1975 Friedberg D6/116

D. 245,134 7/1977 Friedberg D6/116

OTHER PUBLICATIONS

Armstrong Store Fixture "A Touch of Class" brochure; p. 4; Two-Sided Arm #3522-32.
Kason Fixture-Ware Cat. 74; ©1974; p. 69; Sign Holder W/Clamp 5212.

Primary Examiner—B. J. Bullock
Attorney, Agent, or Firm—Harness, Dickey & Pierce

[57] **CLAIM**

The ornamental design for a display rack, substantially as shown and described.

DESCRIPTION

FIG. 1 is a bottom perspective view of a display rack showing my new design;
FIG. 2 is a top perspective view thereof;
FIG. 3 is an end perspective view thereof.

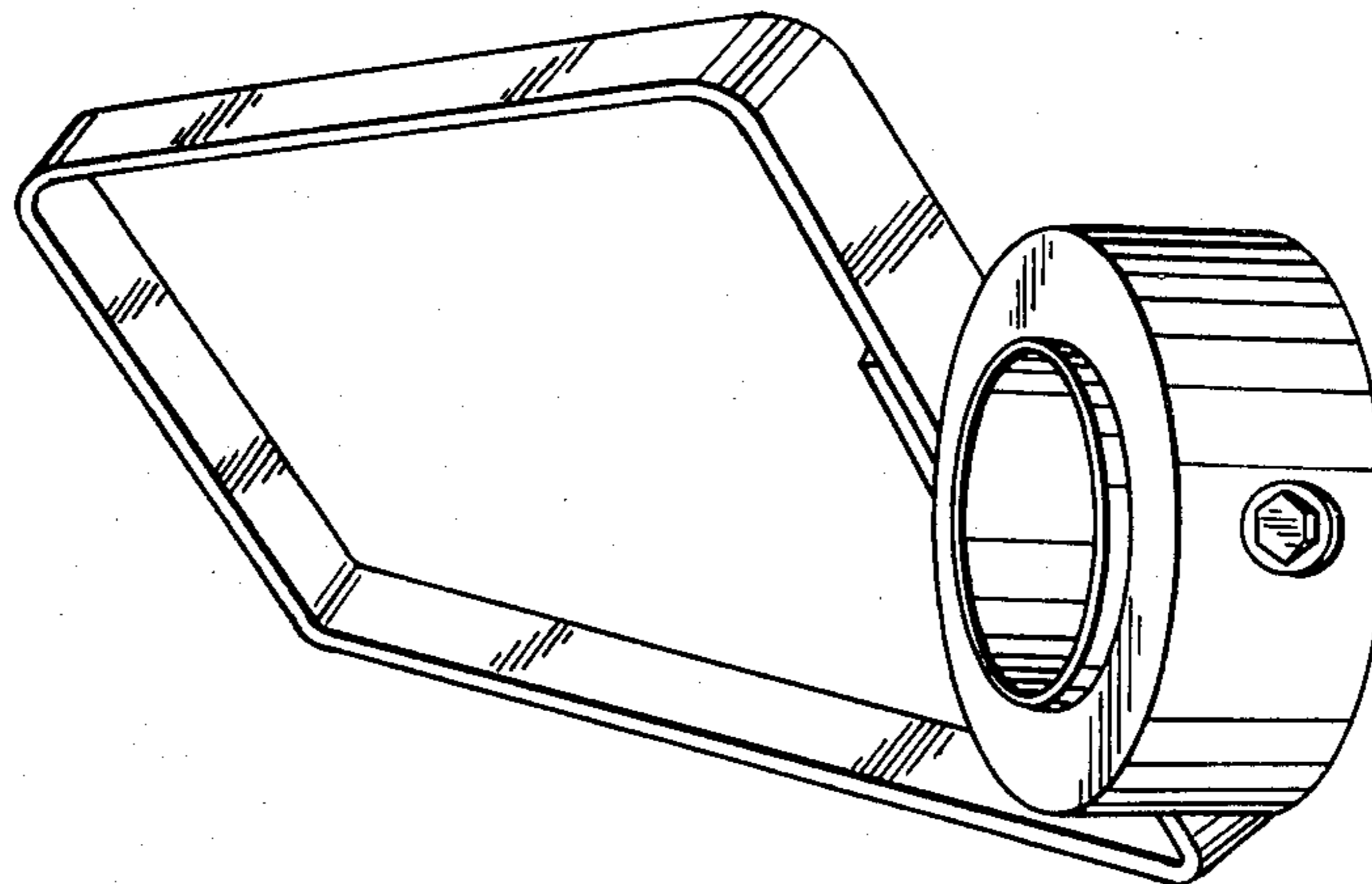


FIG. 2

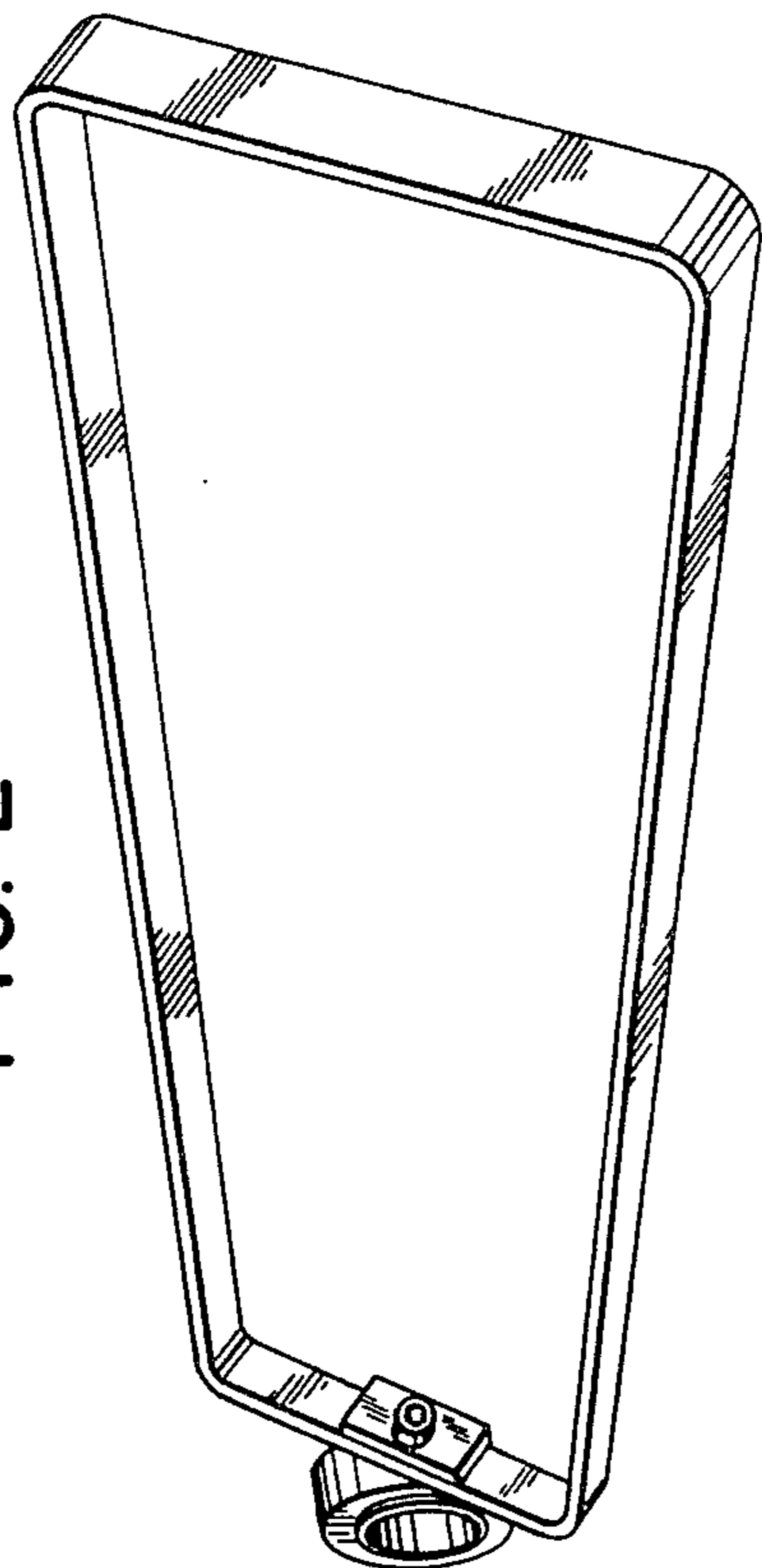


FIG. 1

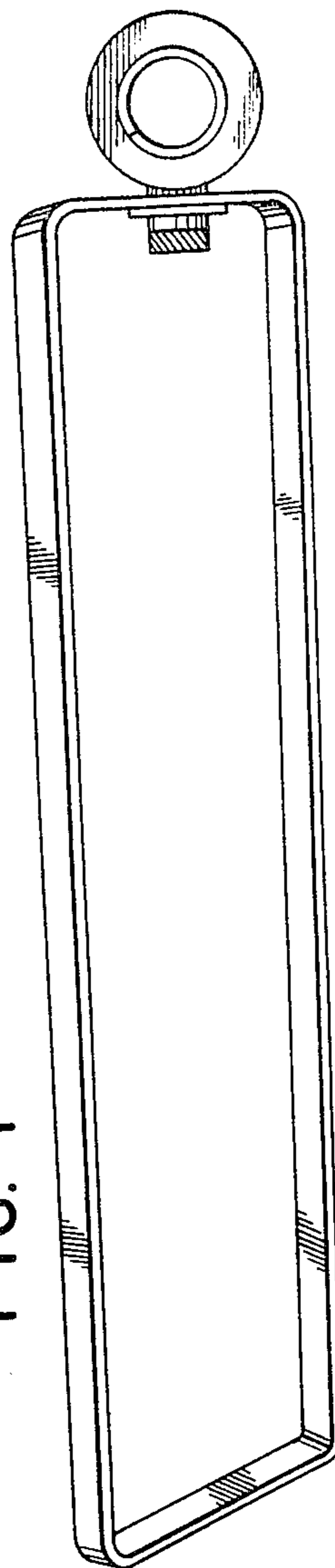


FIG. 3

