

[54] **TISSUE BOX HOLDER**

[76] Inventor: **Leonard H. Fellhoelter, 3010
Magnolia, Chillicothe, Mo. 64601**

[**] Term: **14 Years**

[21] Appl. No.: **348,582**

[22] Filed: **Feb. 12, 1982**

[52] U.S. Cl. **D6/552; D8/373;
D6/518**

[58] Field of Search **D6/86, 96, 98, 113,
D6/114; D8/373; 248/DIG. 5; 221/45, 46, 49,
282, 283; 206/494; 224/42.45 R**

[56] **References Cited**

U.S. PATENT DOCUMENTS

2,991,036 7/1961 Gorgan et al. 248/DIG. 5
3,046,049 7/1962 Paxton 248/DIG. 5
3,214,059 10/1965 Stark 221/46
3,843,085 10/1974 Castro 248/DIG. 5

FOREIGN PATENT DOCUMENTS

1121870 6/1956 France 248/DIG. 5

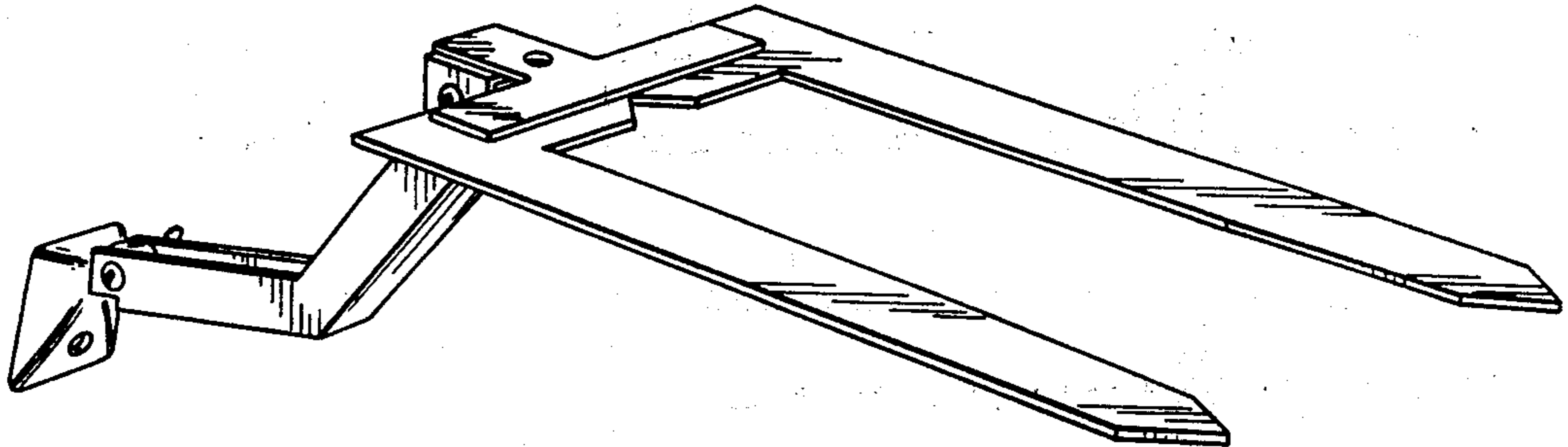
Primary Examiner—Wallace R. Burke
Assistant Examiner—Suzanne N. Gitlin
Attorney, Agent, or Firm—Kokjer, Kircher, Bradley,
Wharton, Bowman & Johnson

[57] **CLAIM**

The ornamental design for a tissue box holder, as shown and described.

DESCRIPTION

FIG. 1 is a side elevational view of a tissue box holder showing my new design, the other side being substantially identical thereto and the tissue box being shown in broken lines for illustrative purposes only; FIG. 2 is a top plan view thereof; FIG. 3 is a bottom plan view thereof; FIG. 4 is an end elevational view thereof; FIG. 5 is an opposite end elevational view thereof; FIG. 6 is a top and front perspective view thereof.



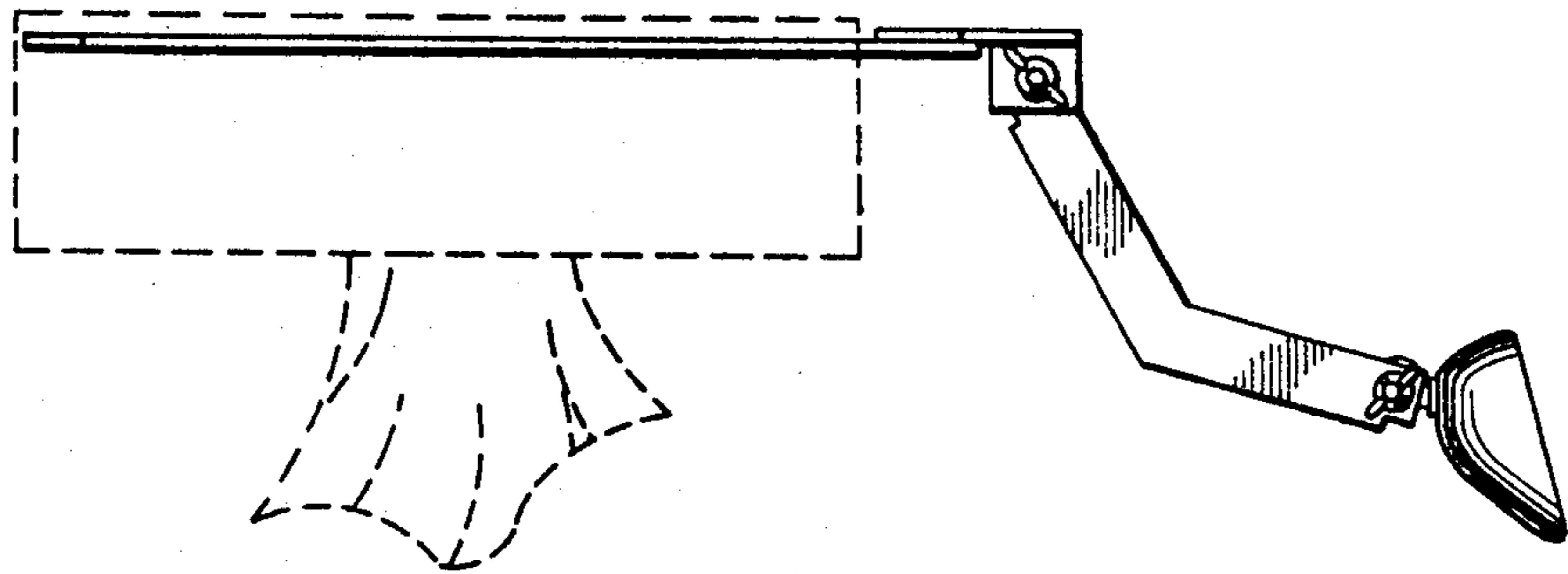


FIG. 1

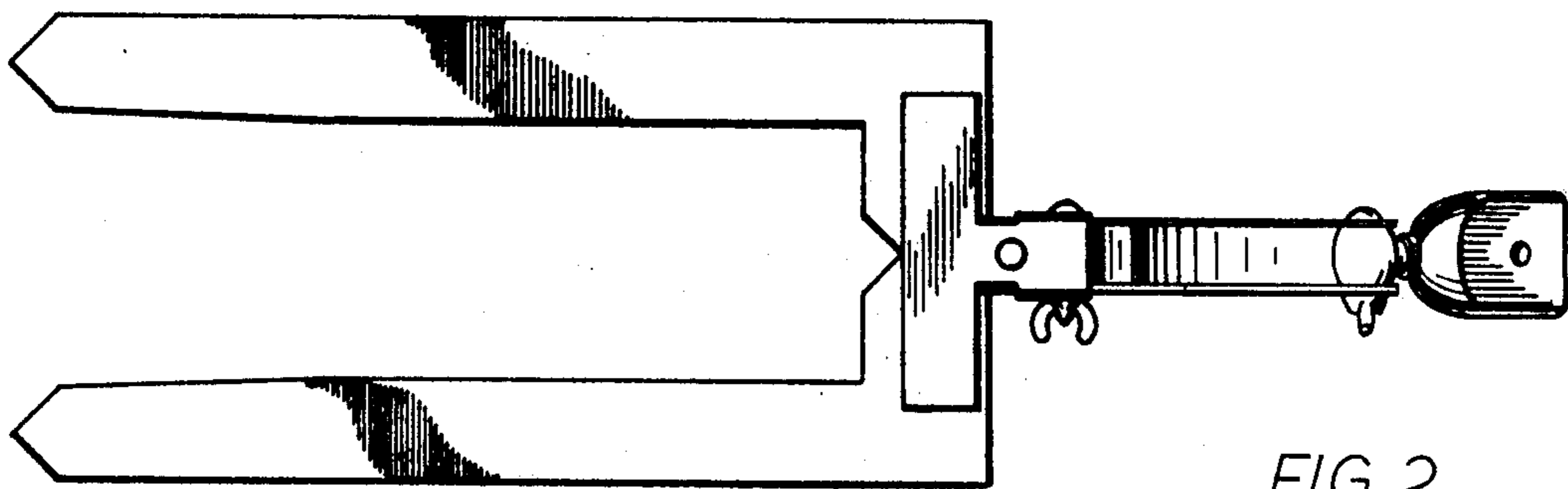


FIG. 2

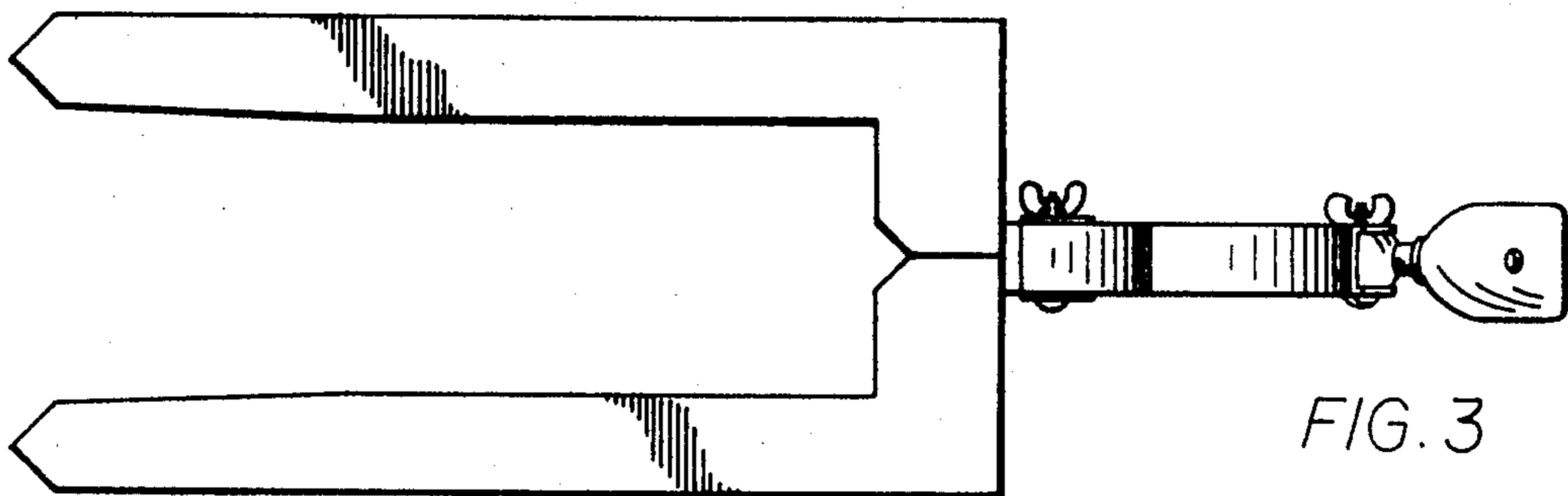


FIG. 3

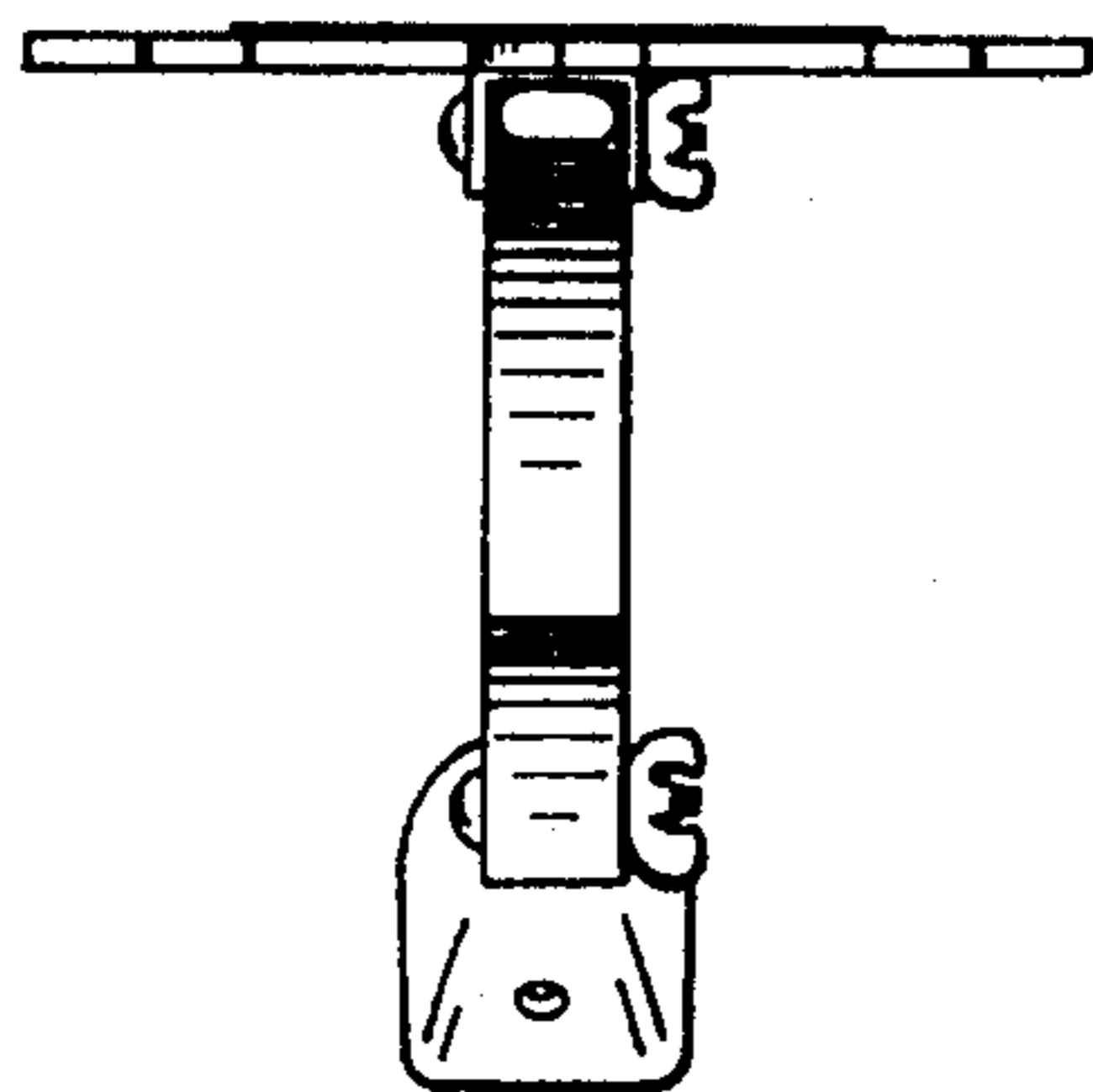


FIG. 4

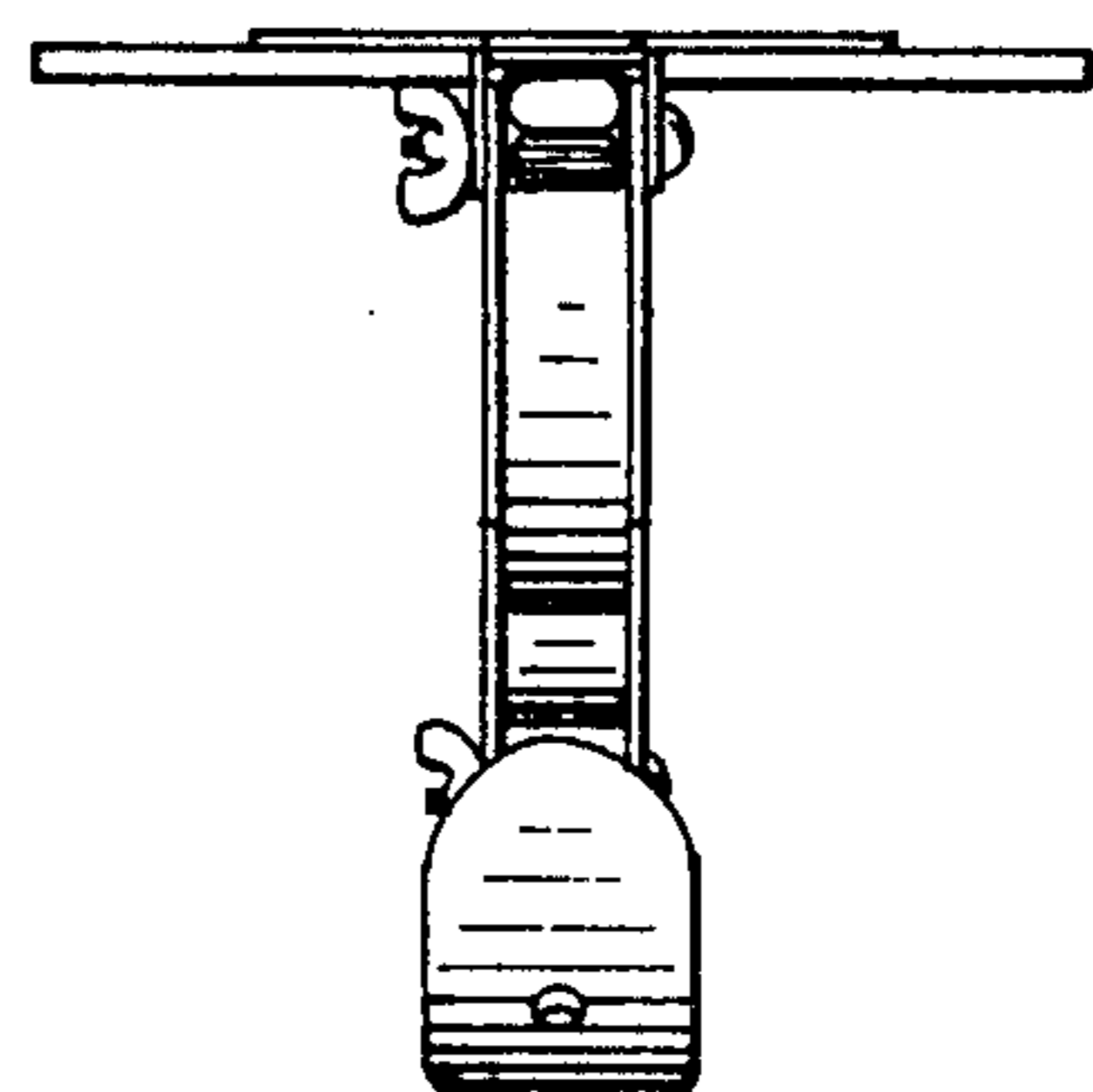


FIG. 5

Fig. 6.

