

United States Patent [19]

Miller et al.

[11] Patent Number: **Des. 276,388**

[45] Date of Patent: **** Nov. 20, 1984**

[54] TOWEL RACK

[75] Inventors: **Charles D. Miller; William C. McKeone**, both of Kansas City, Mo.

[73] Assignee: **Broadway Industries, Inc.**, Kansas City, Mo.

[**] Term: **14 Years**

[21] Appl. No.: **413,734**

[22] Filed: **Sep. 1, 1982**

[52] U.S. Cl. **D6/548; D6/566**

[58] Field of Search **D6/114, 86, 90, 91, D6/99, 103, 132-133; D28/73, 77; 211/13, 16, 60 R, 71, 75, 87, 89, 90, 100, 105.1, 106, 123, 153, 171; 206/581; 108/25, 27, 28, 29, 42, 152, 59**

[56] **References Cited**

U.S. PATENT DOCUMENTS

D. 190,552	6/1961	Doricet	D6/99
1,667,657	4/1928	Dobert	D6/114
1,998,228	4/1935	Firth	108/42
2,546,587	3/1951	Eisenberg	108/152

FOREIGN PATENT DOCUMENTS

1450897	7/1966	France	211/90
1435106	12/1966	France	211/90

Primary Examiner—Wallace R. Burke
Assistant Examiner—Suzanne N. Gitlin
Attorney, Agent, or Firm—Schmidt, Johnson, Hovey & Williams

[57] **CLAIM**

The ornamental design for a towel rack, as shown.

DESCRIPTION

FIG. 1 is a perspective view of a towel rack showing my new design;
FIG. 2 is a side elevational view taken from the right of FIG. 1.
FIG. 3 is a bottom plan view thereof;
FIG. 4 is a top plan view thereof;
FIG. 5 is a rear elevational view thereof;
FIG. 6 is a top plan view of a second embodiment;
FIG. 7 is an end elevational view taken from the left of FIG. 6;
FIG. 8 is an end elevational view taken from the right of FIG. 6;
FIG. 9 is a bottom plan view thereof;
FIG. 10 is a rear elevational view thereof; and
FIG. 11 is a front elevational view thereof.

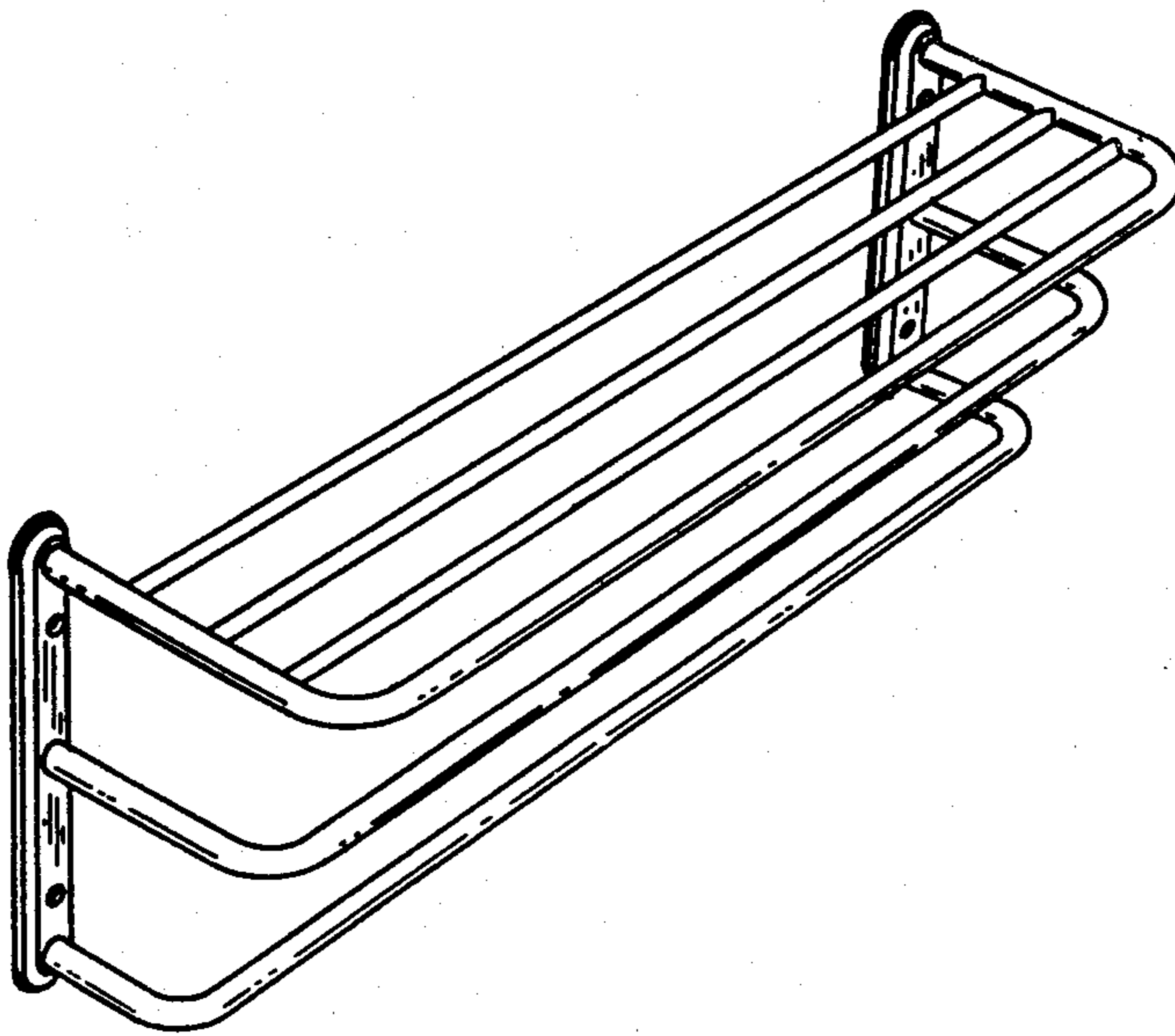


Fig. 1

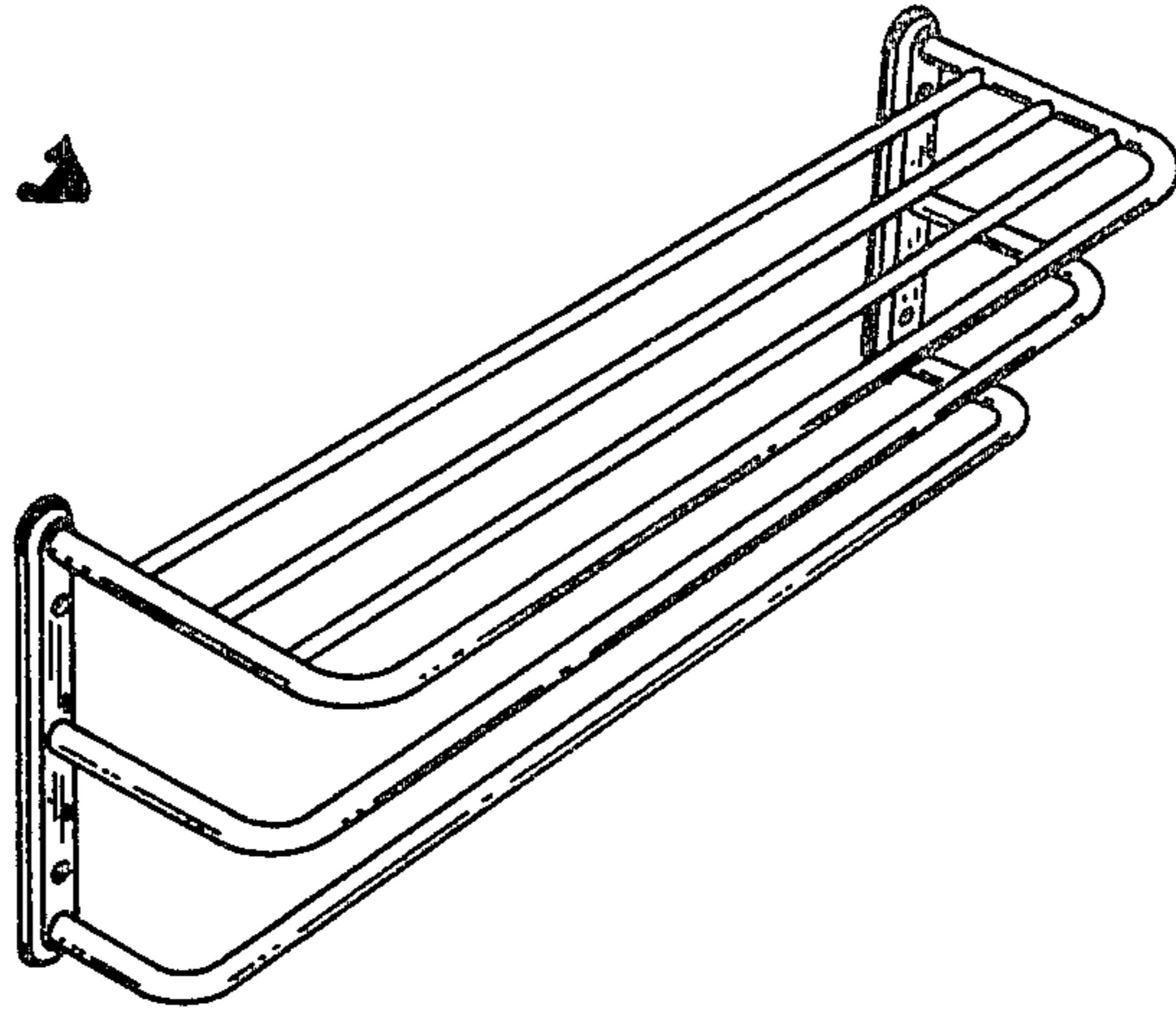


Fig. 2

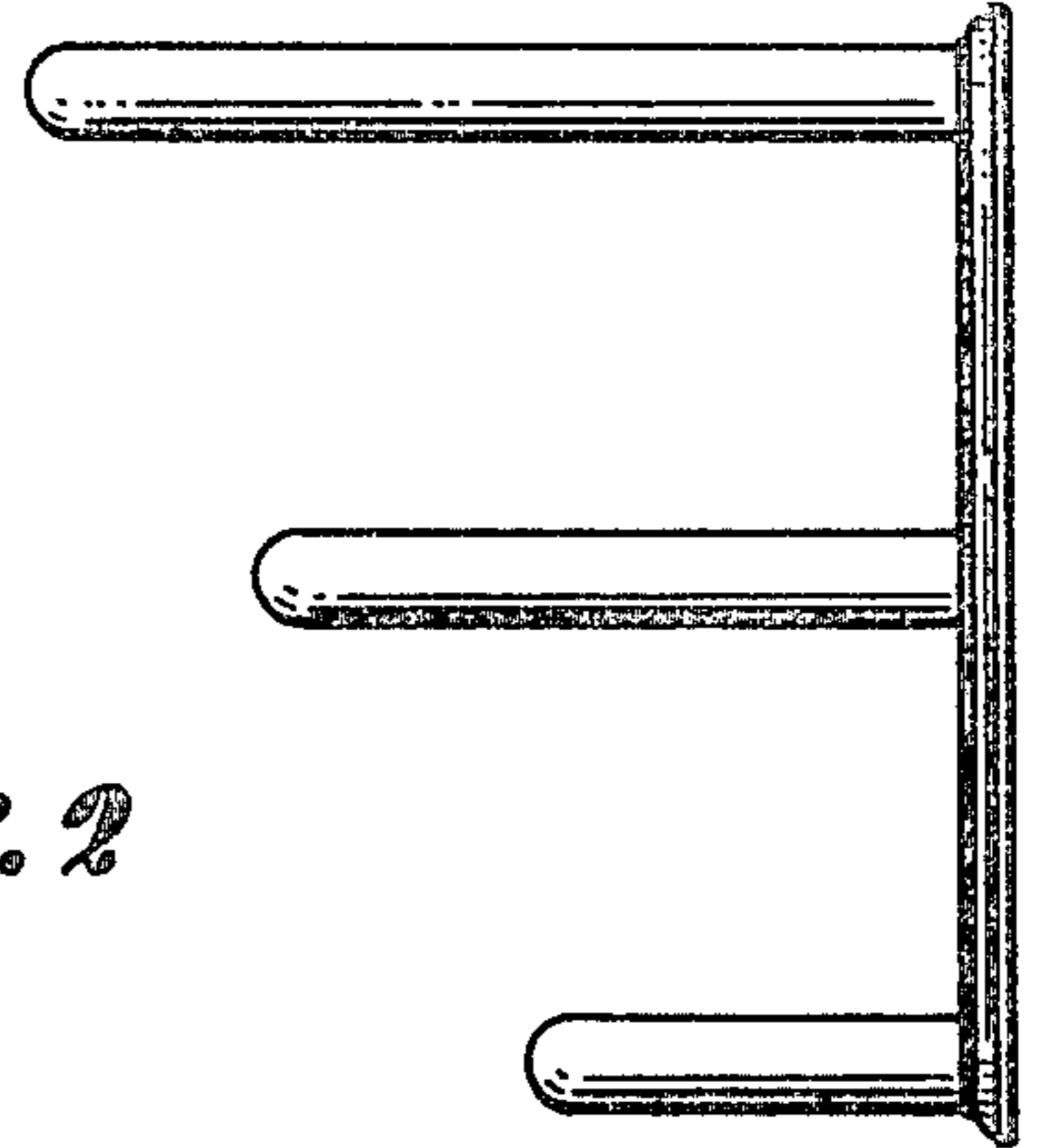


Fig. 3

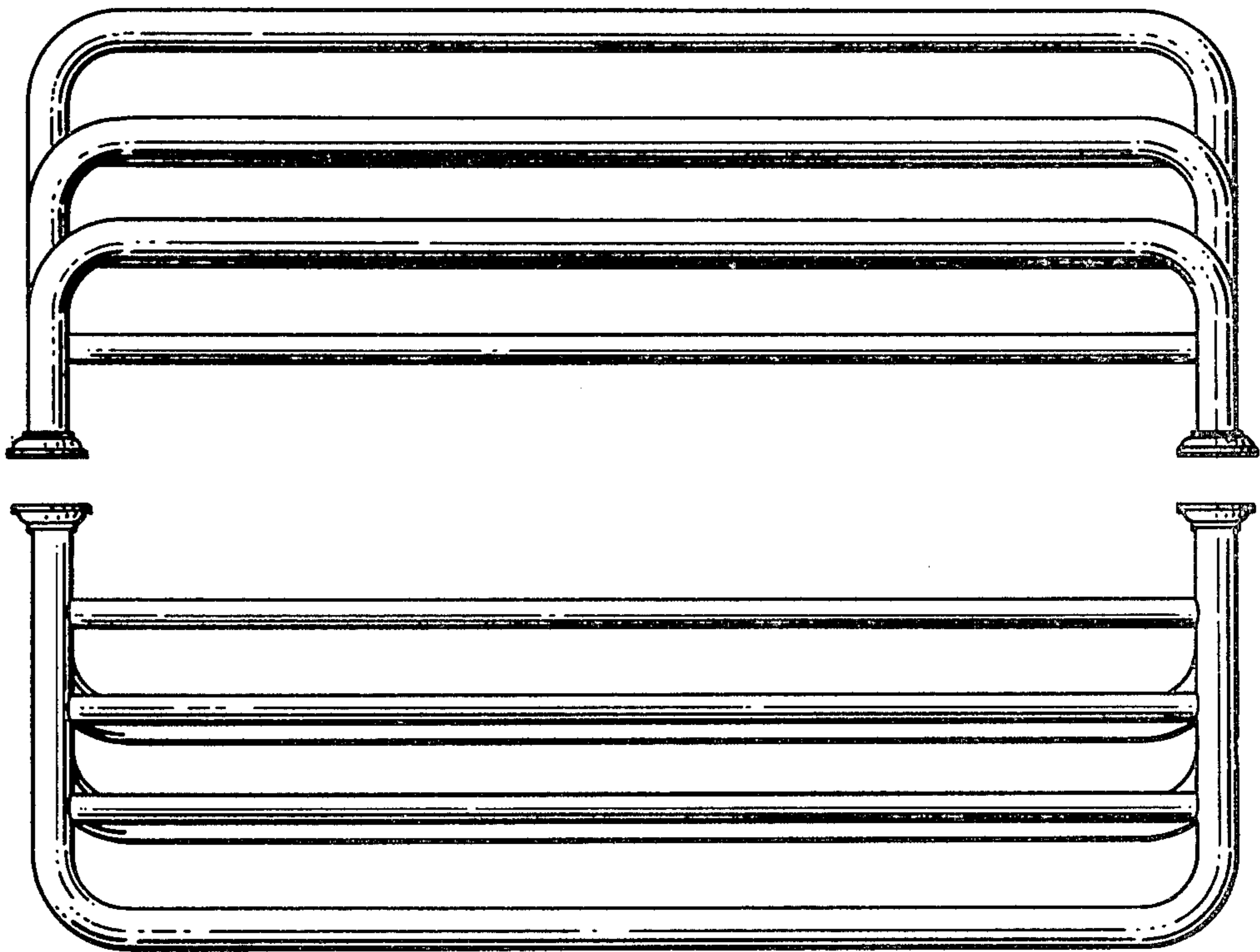


Fig. 4

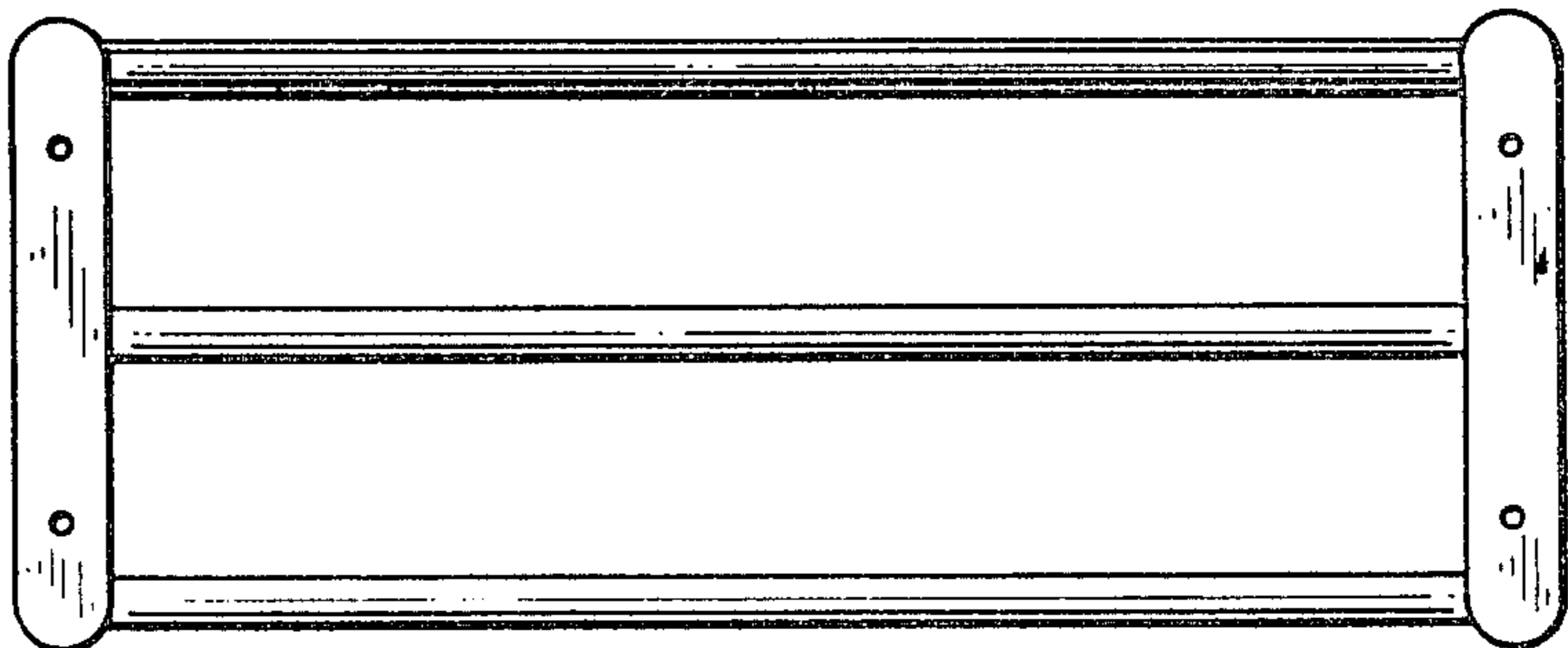
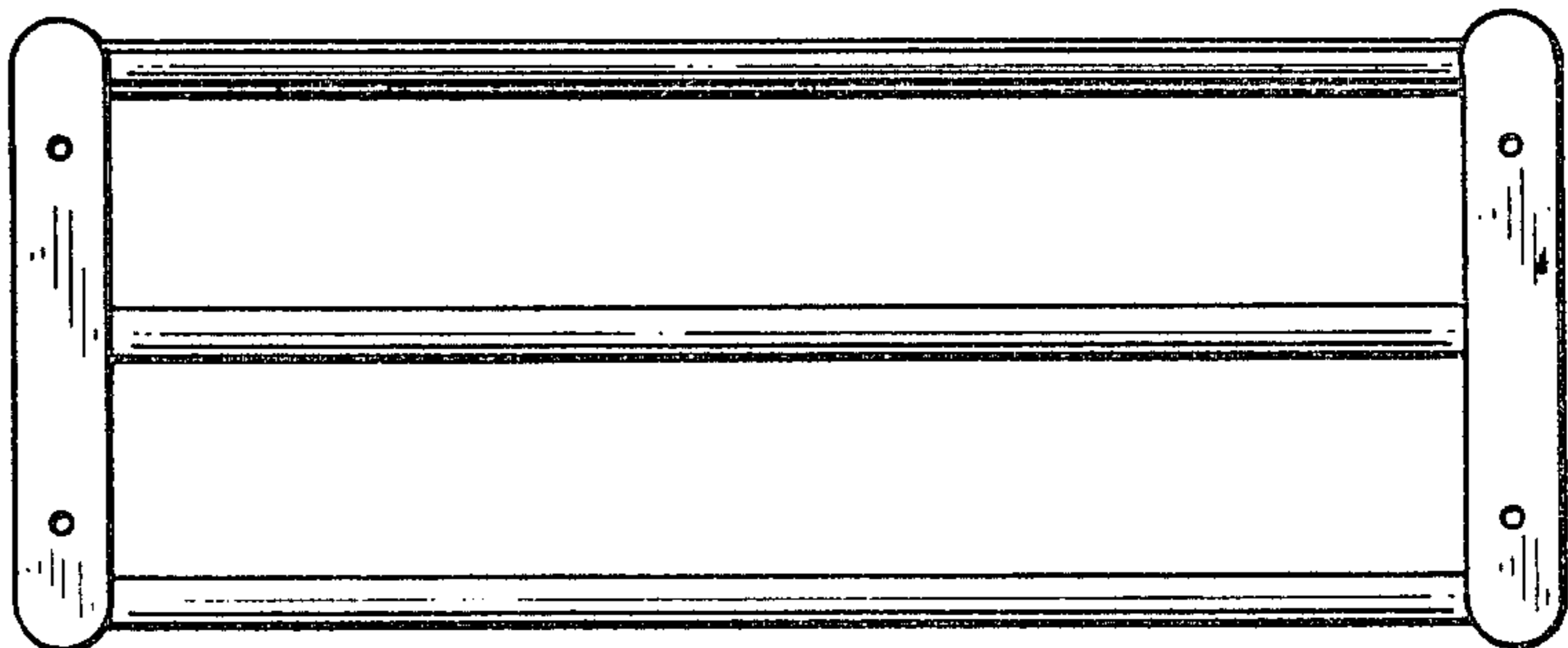


Fig. 5



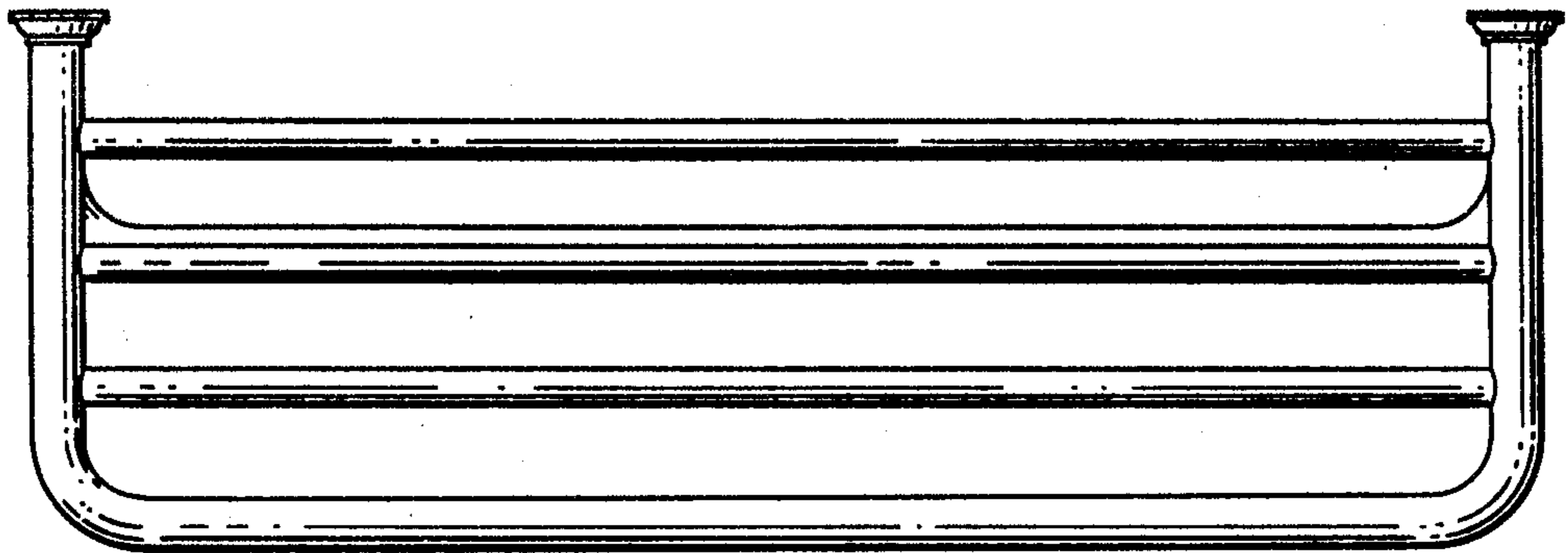


Fig. 6

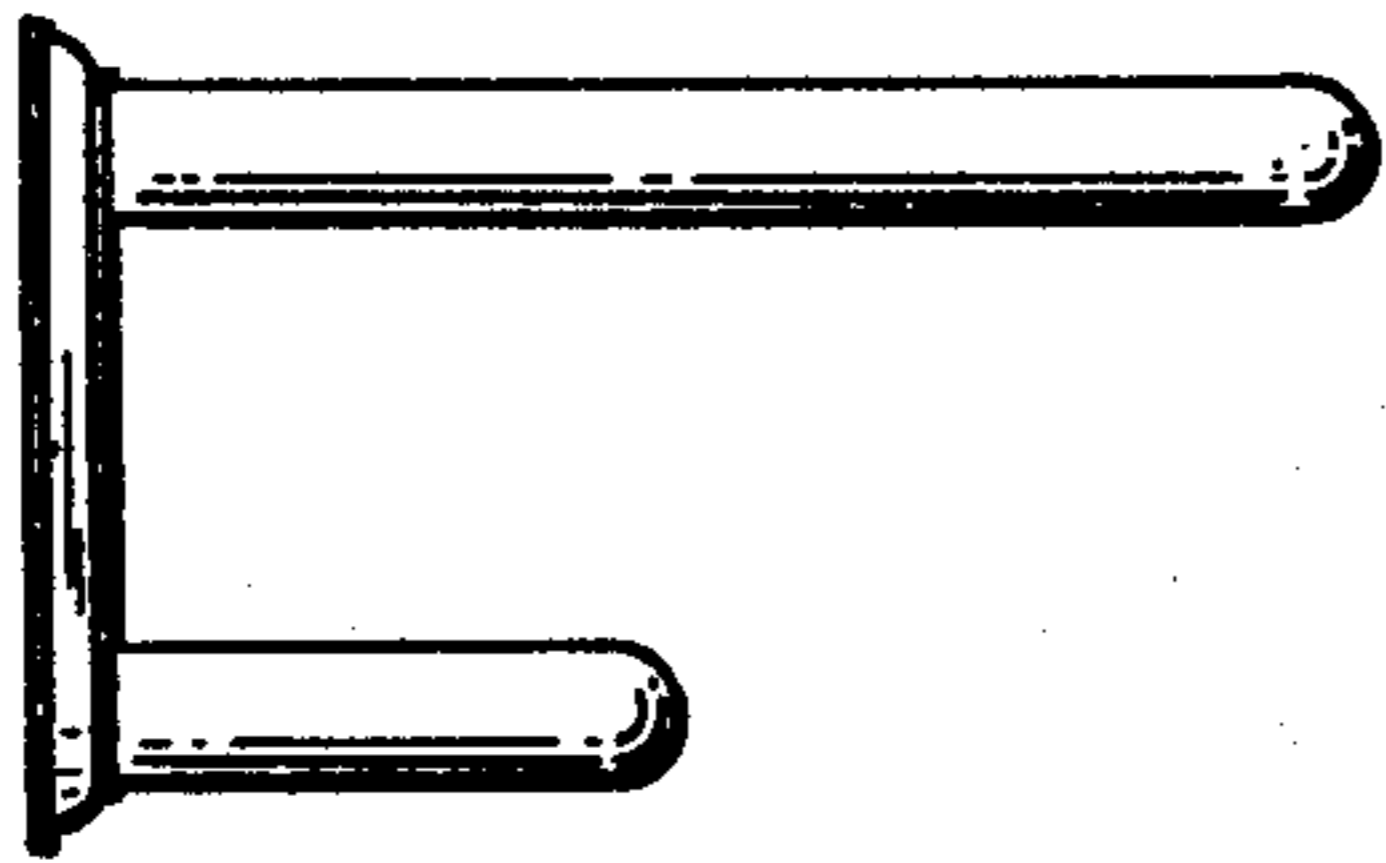


Fig. 7

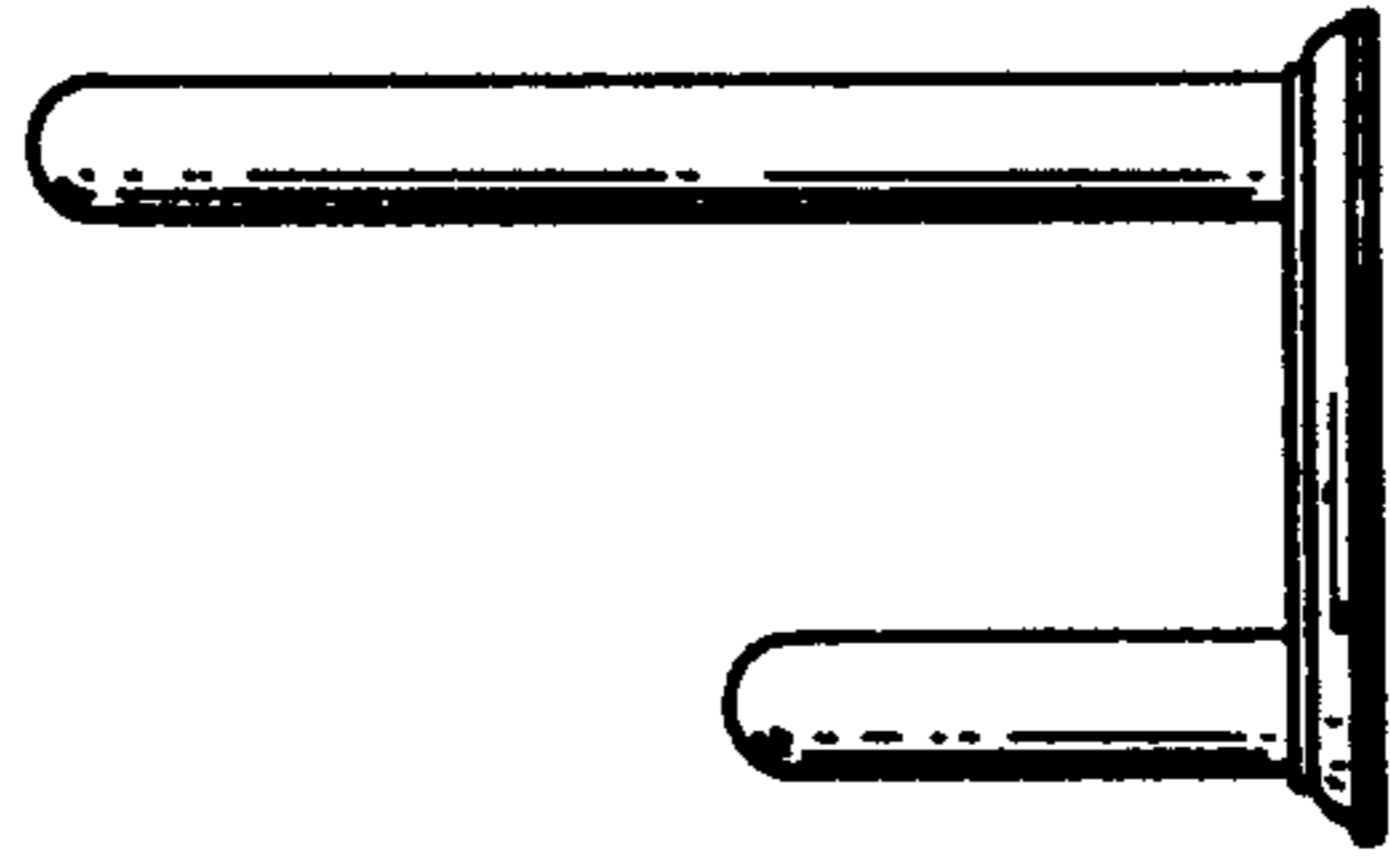


Fig. 8

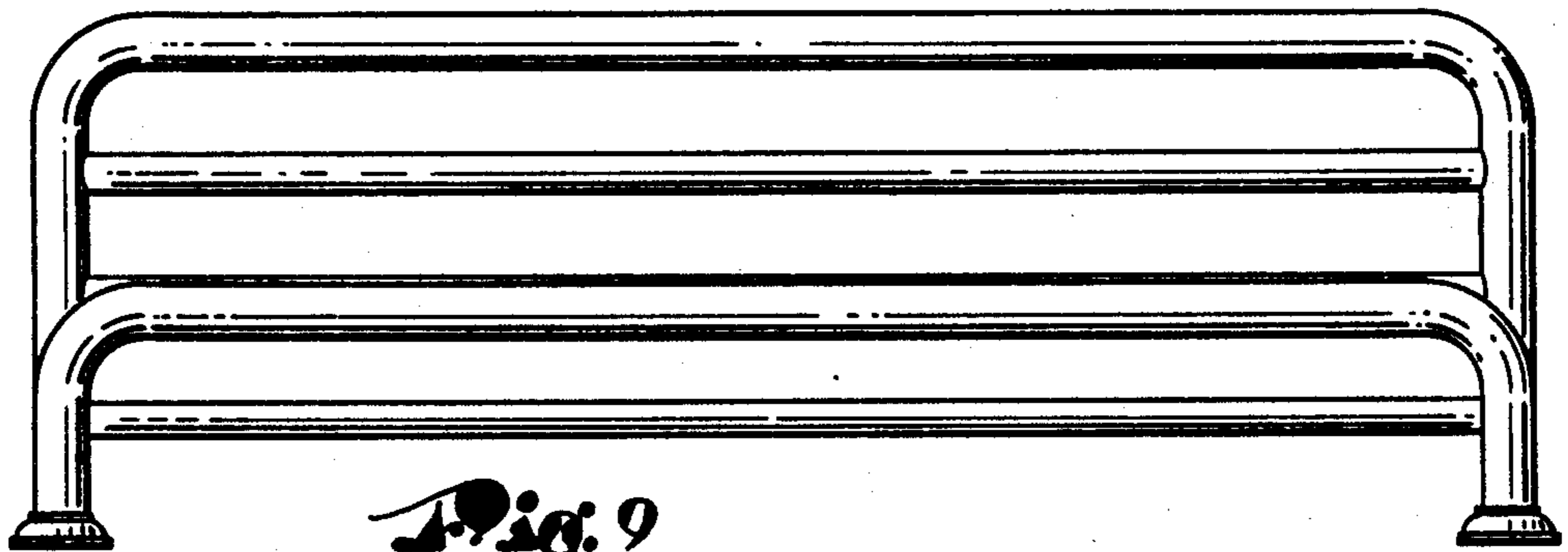


Fig. 9

Fig. 10

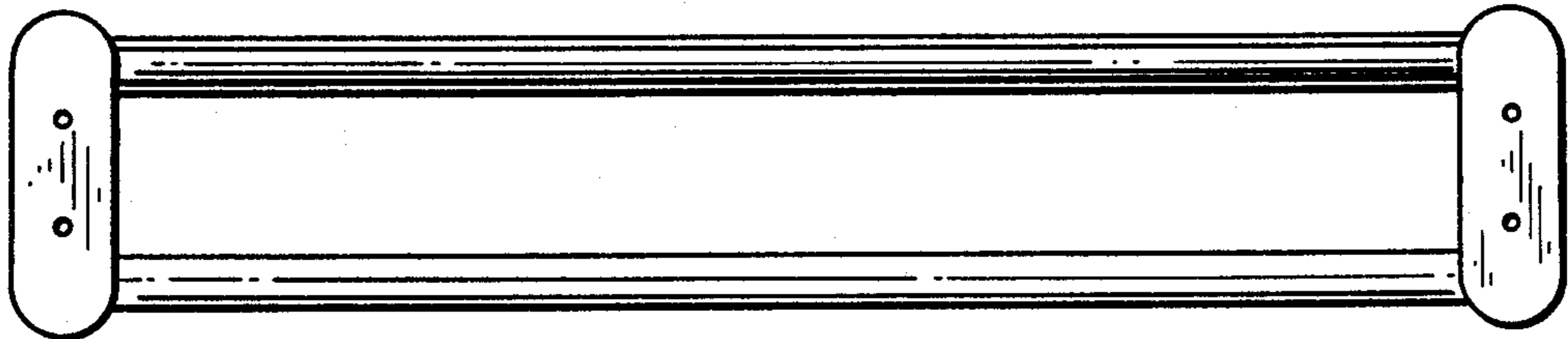


Fig. 11

