

[54] **TOWEL RACK OR THE LIKE**

[75] **Inventor: Rino Conti, Stoughton, Mass.**

[73] **Assignee: Dart Industries Inc., Northbrook, Ill.**

[\*\*] **Term: 14 Years**

[21] **Appl. No.: 406,843**

[22] **Filed: Aug. 10, 1982**

[52] **U.S. Cl. .... D6/549**

[58] **Field of Search ..... D6/86, 99, 103; D28/73;  
206/581; 248/315; 211/13, 16, 60 R, 71, 75, 87,  
100, 105.1, 123, 1**

[56] **References Cited**

**U.S. PATENT DOCUMENTS**

D. 254,460 3/1980 Tegner ..... D6/99  
D. 257,195 10/1980 Swett et al. .

D. 263,182 3/1982 Thompson ..... D6/99  
4,203,373 5/1980 Conti ..... 108/152

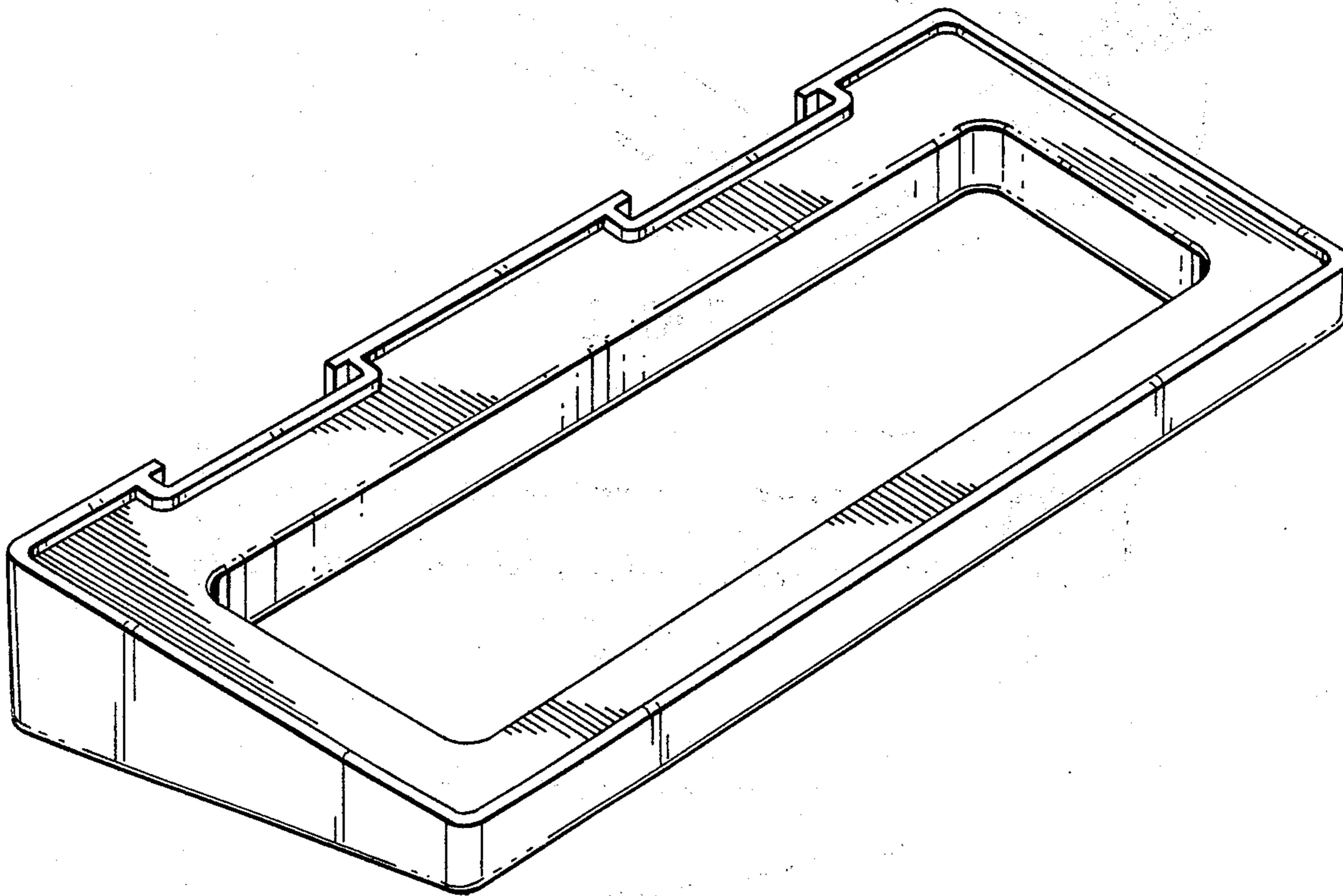
*Primary Examiner*—Wallace R. Burke  
*Assistant Examiner*—Suzanne N. Gitlin  
*Attorney, Agent, or Firm*—John A. Doninger

[57] **CLAIM**

The ornamental design for a towel rack or the like, substantially as shown.

**DESCRIPTION**

FIG. 1 is a top perspective view of the towel rack or the like showing my new design;  
FIG. 2 is a front elevation view thereof;  
FIG. 3 is a side elevation view thereof;  
FIG. 4 is a rear elevation view thereof;  
FIG. 5 is a top plan view thereof;  
FIG. 6 is a bottom plan view thereof.



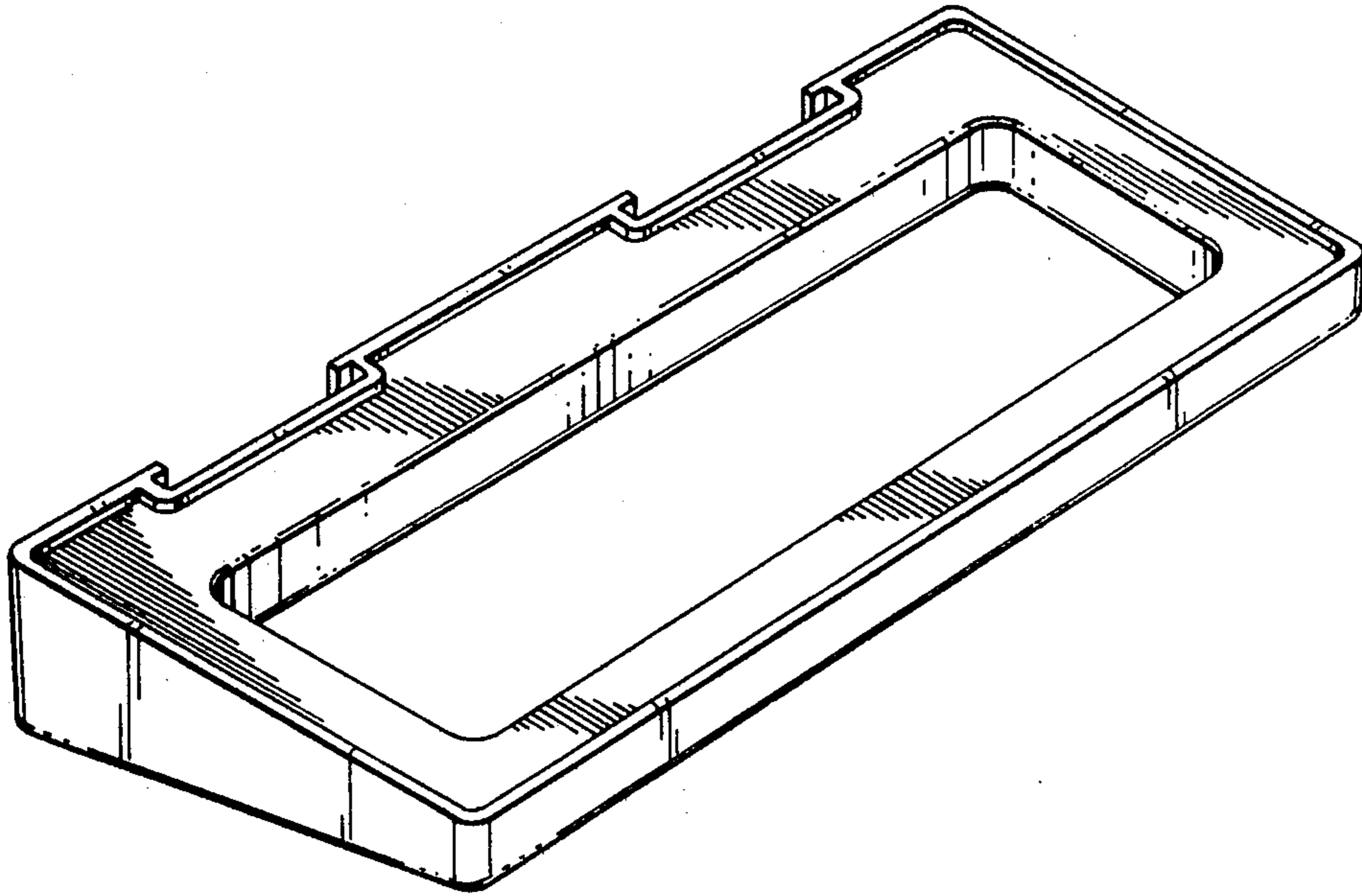


FIG. 1

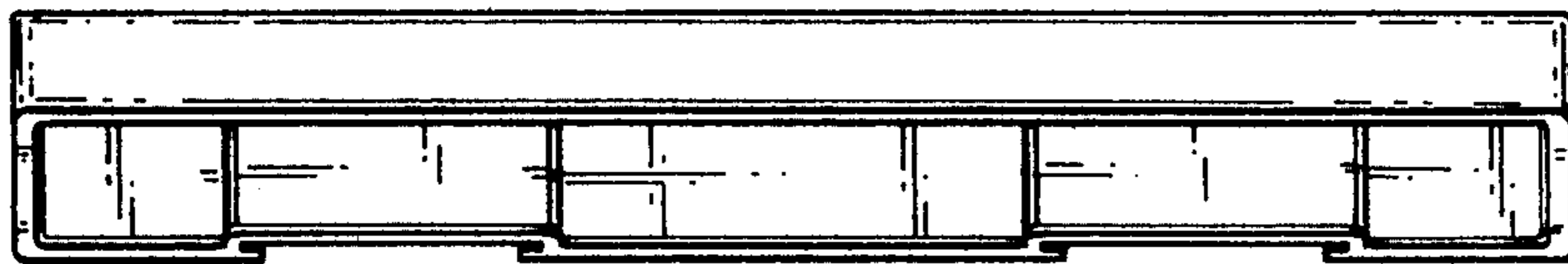


FIG. 2

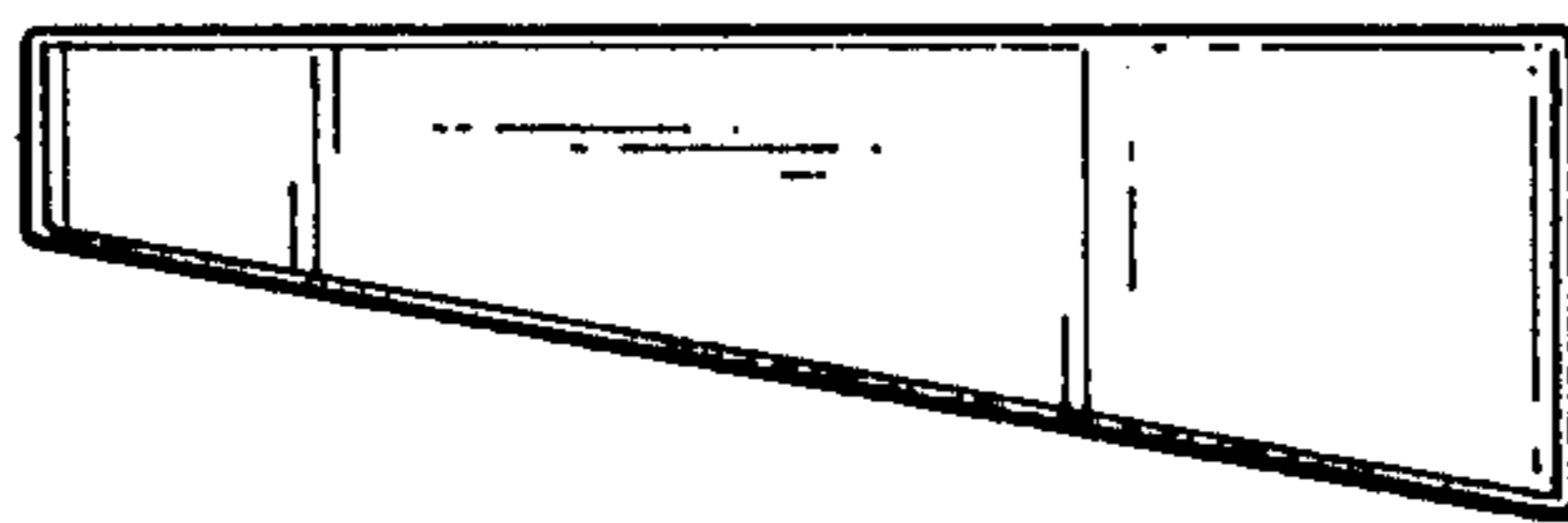


FIG. 3

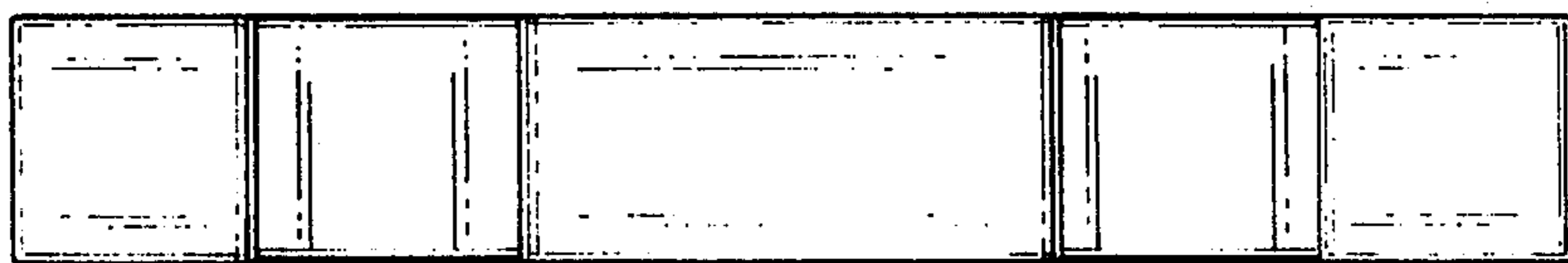


FIG. 4

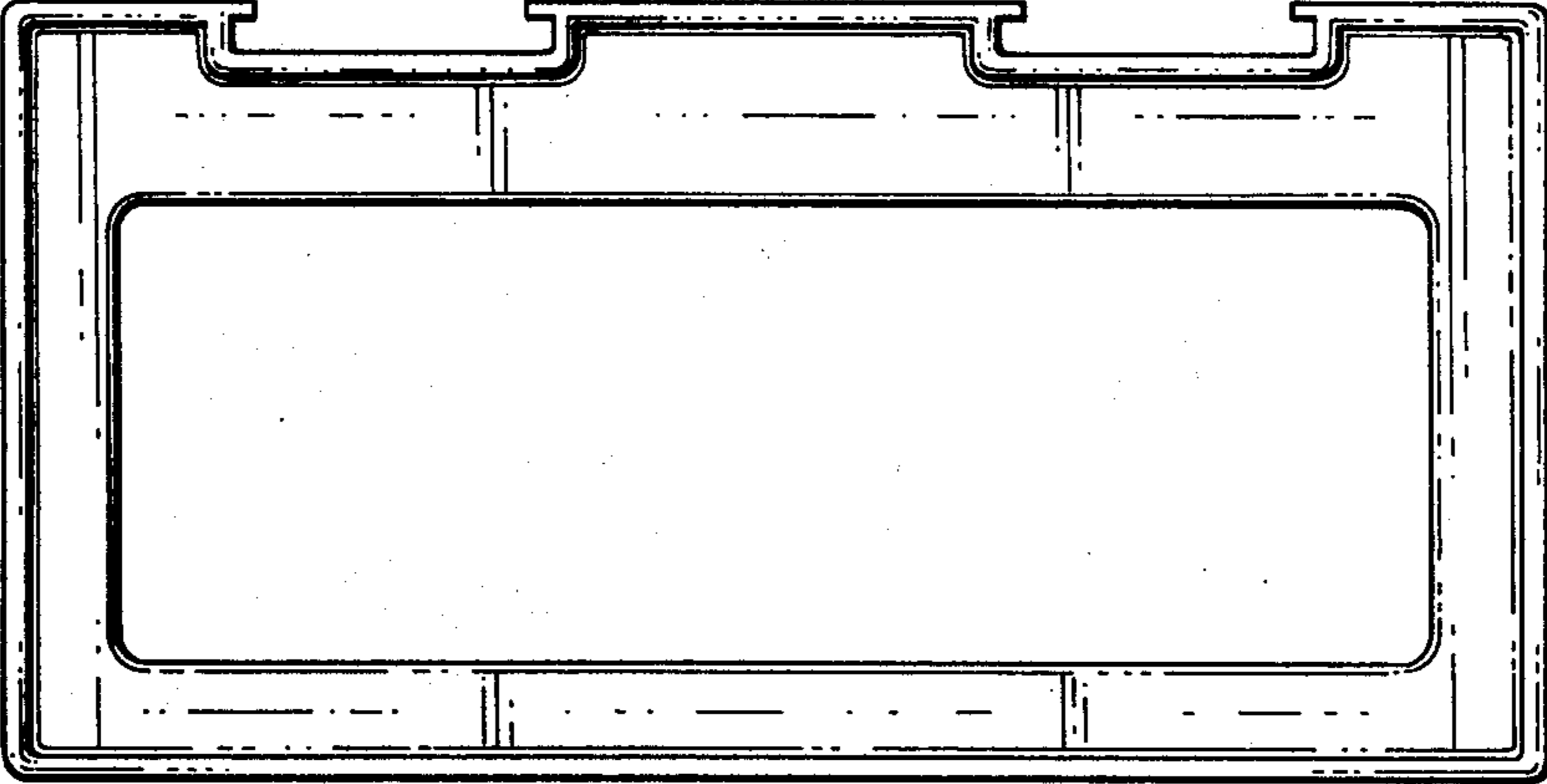


FIG. 5

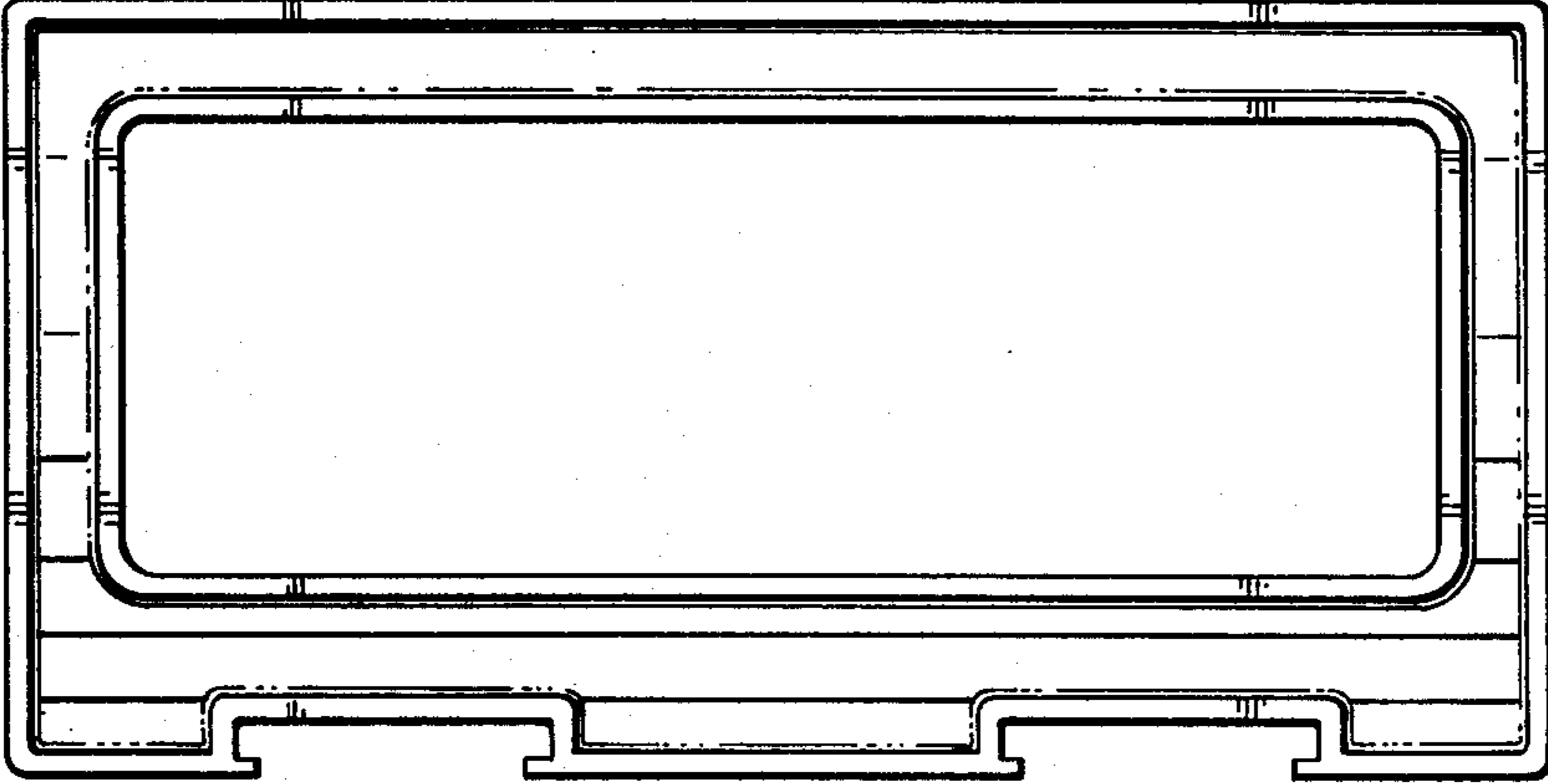


FIG. 6