

[54] **INFLATABLE BABY BED**

[76] **Inventor: Frederick H. Kroll, 72 Wood Hollow La., New Rochelle, N.Y. 10804**

[**] **Term: 14 Years**

[21] **Appl. No.: 420,103**

[22] **Filed: Sep. 20, 1982**

[52] **U.S. Cl. D6/390; D6/391**

[58] **Field of Search D6/5, 13, 14, 15, 16, D6/79, 80, 201**

[56] **References Cited**

U.S. PATENT DOCUMENTS

D. 197,551 2/1964 Choy et al. D6/13
D. 231,874 6/1974 Weigel et al. D6/79 X
D. 239,676 4/1976 McGinley D6/15
3,430,271 3/1969 Junod-Deile D6/16 X

OTHER PUBLICATIONS

McKnight Photo, Inflatable Baby Bed.

Primary Examiner—Bruce W. Dunkins
Attorney, Agent, or Firm—McAulay, Fields, Fisher, Goldstein & Nissen

[57] **CLAIM**

The ornamental design for an inflatable baby bed, as shown and described.

DESCRIPTION

FIG. 1 is a perspective view of an inflatable baby bed showing my new design;

FIG. 2 is a top plan view thereof;

FIG. 3 is a front elevational view thereof, the rear elevational view being identical thereto;

FIG. 4 is a right side view, the left side view being identical thereto; and

FIG. 5 is a bottom plan view thereof.

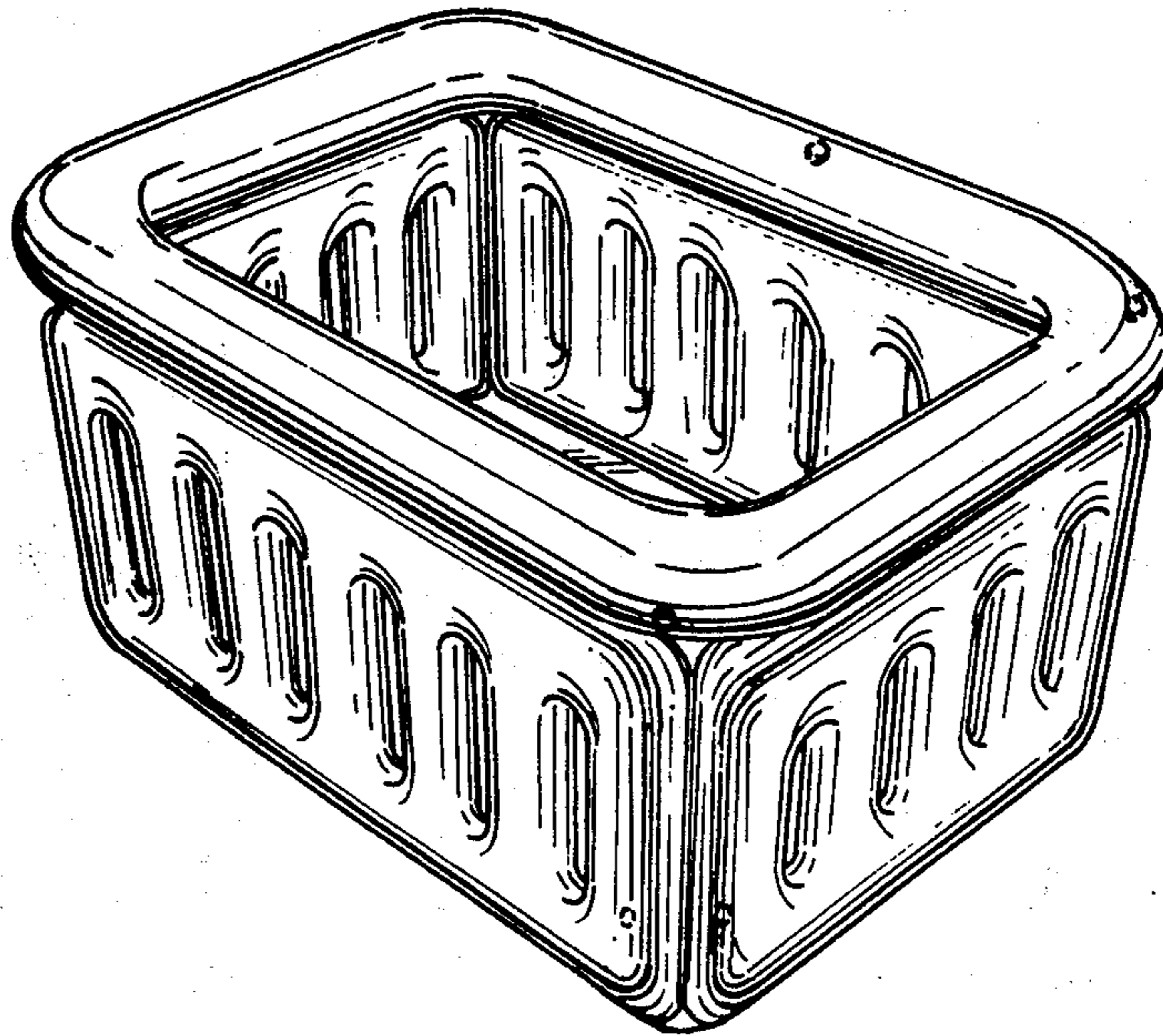


FIG.1

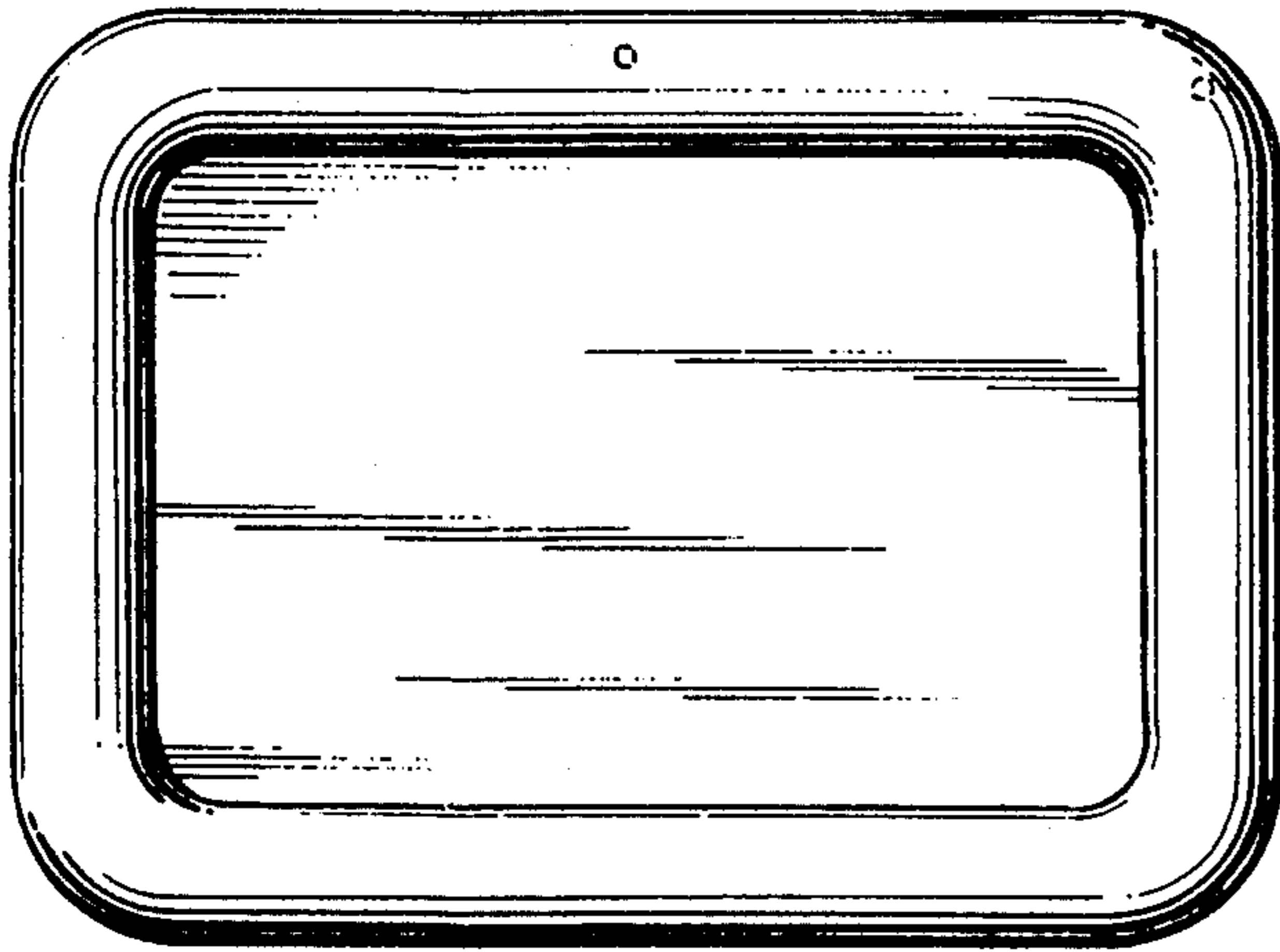
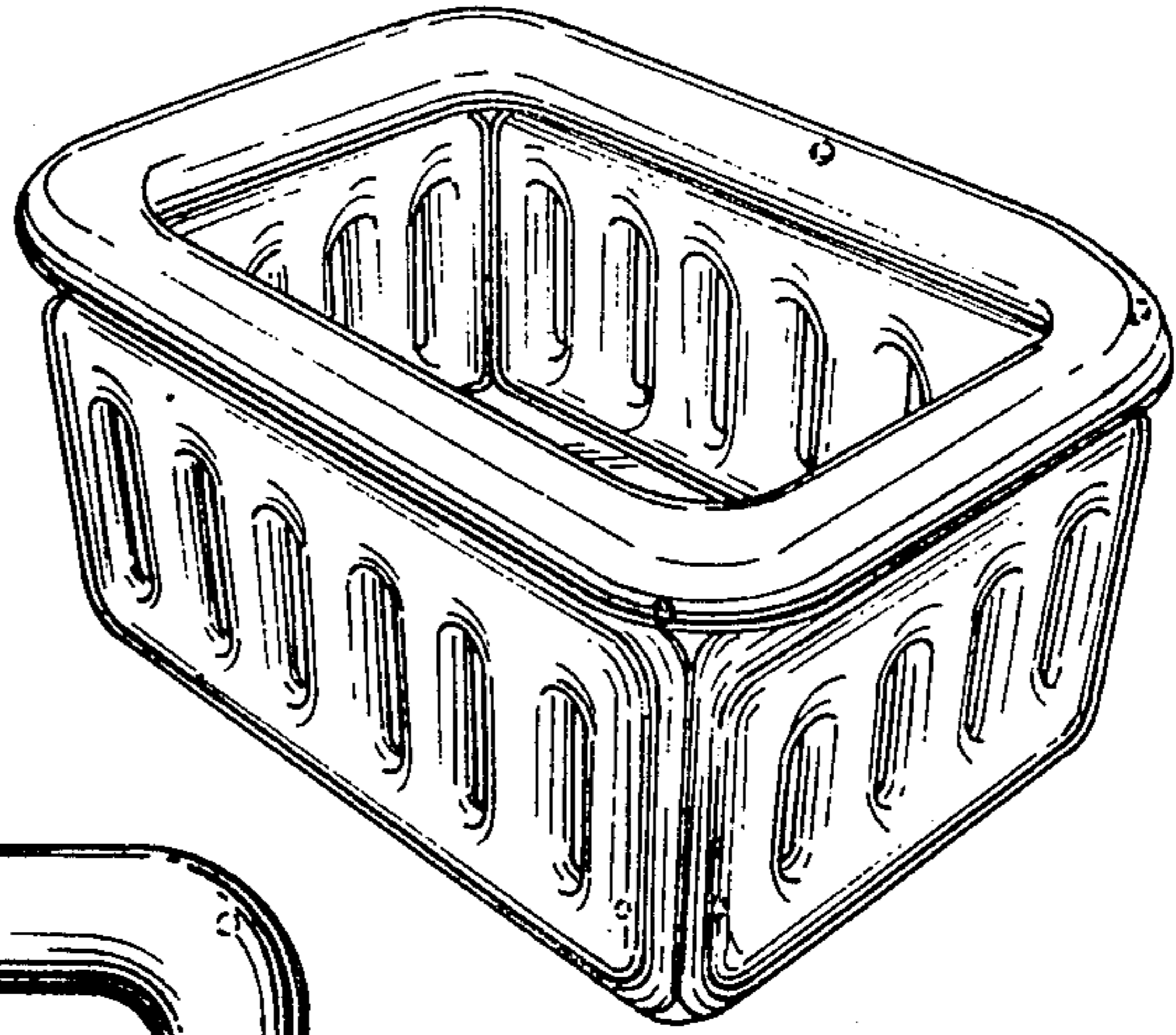


FIG.2

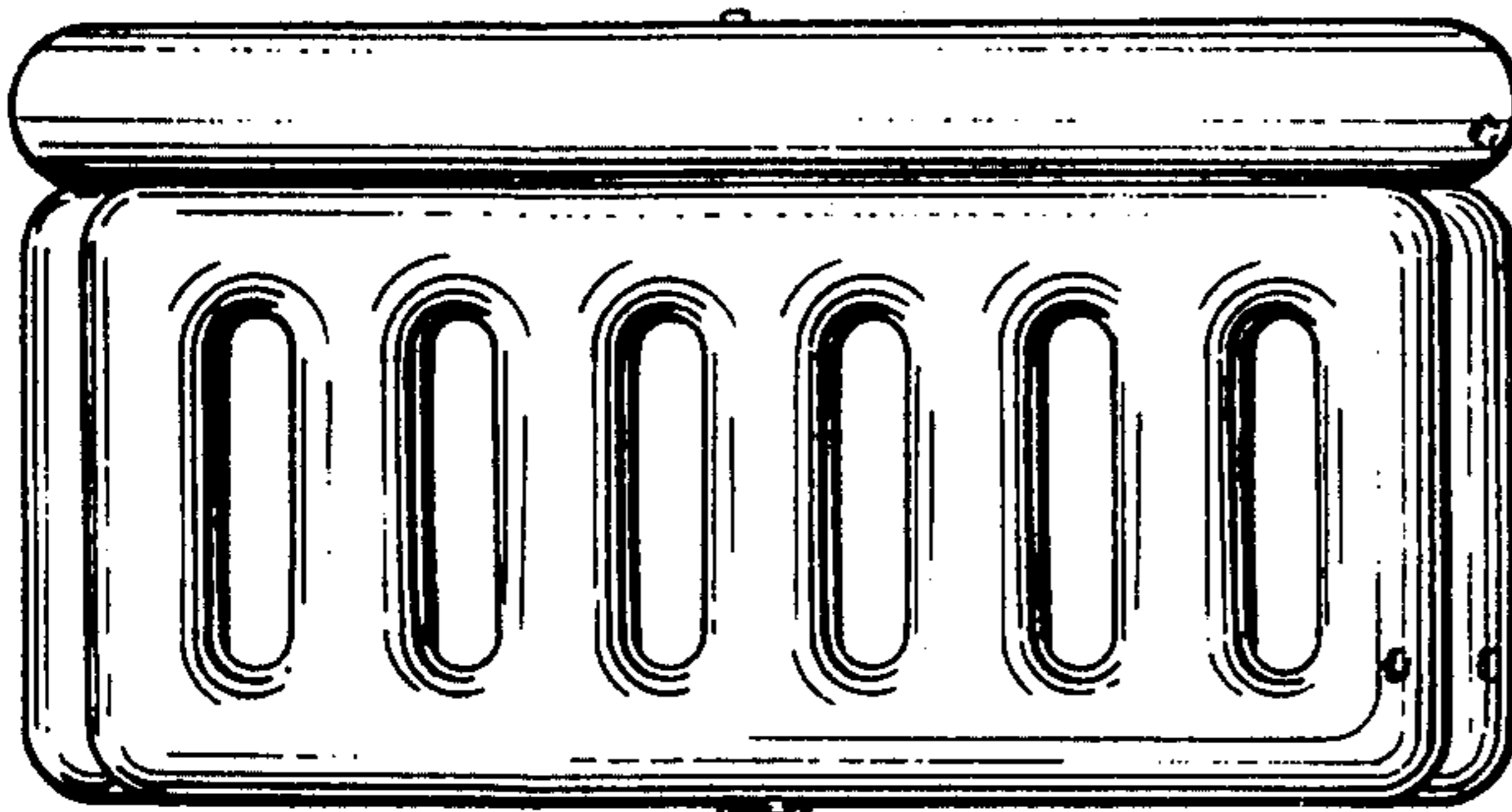


FIG.3

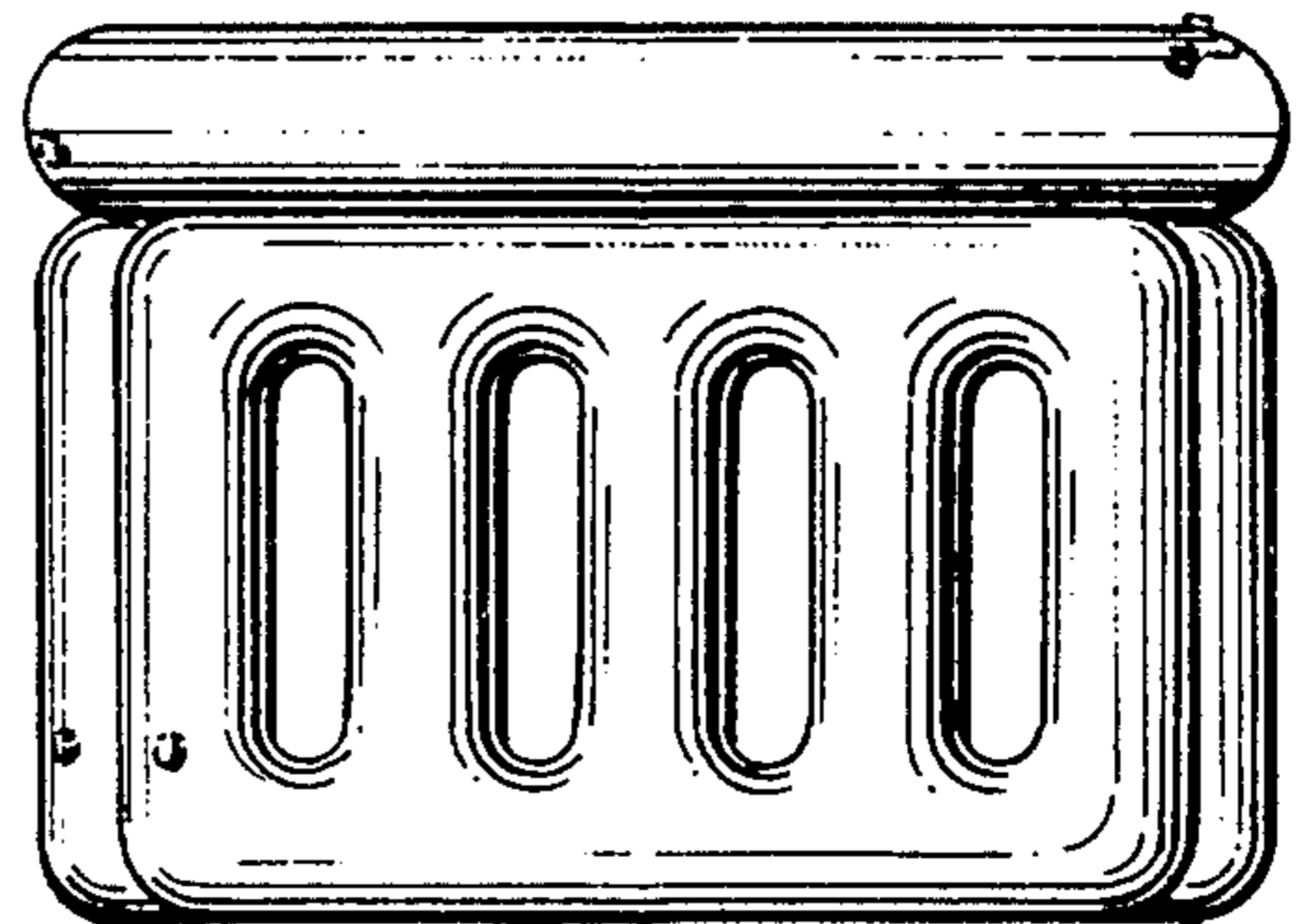


FIG.4

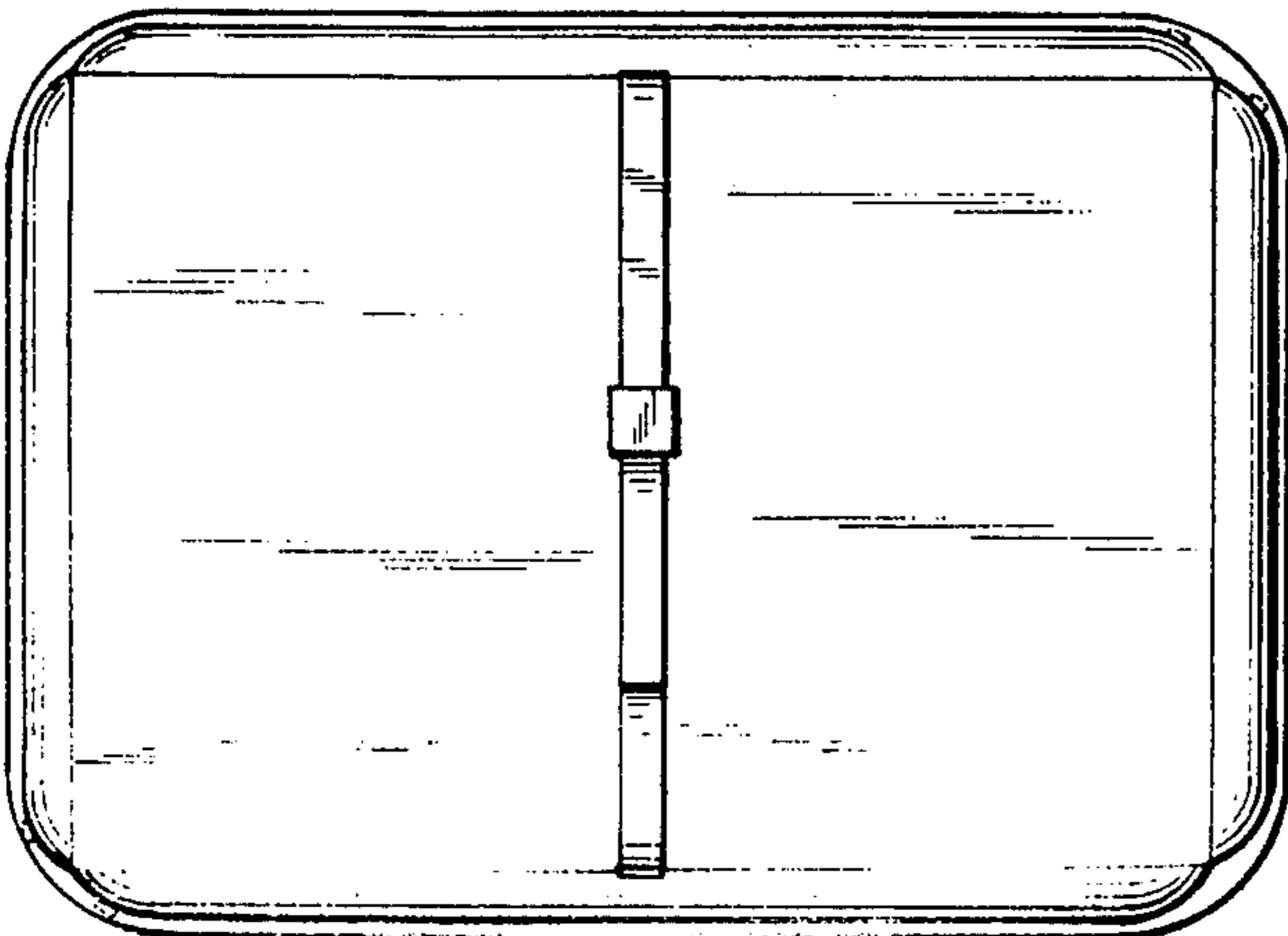


FIG.5