

# United States Patent [19]

Nagle et al.

[11] Patent Number: **Des. 276,381**

[45] Date of Patent: **\*\* Nov. 20, 1984**

[54] **COMBINED CASE AND RACK FOR A  
CIRCUIT BOARD OR THE LIKE**

[75] Inventors: **Joseph J. Nagle, Rochester; Joseph  
Vitko, Jr., Dover, both of N.H.**

[73] Assignee: **Jotko Enterprises, Inc., Dover, N.H.**

[\*\*] Term: **14 Years**

[21] Appl. No.: **313,825**

[22] Filed: **Oct. 22, 1981**

[52] U.S. Cl. .... **D3/30.1; D9/426**

[58] Field of Search ..... **D9/362, 426, 341;  
D3/30.1, 36, 74; 206/334, 445; 220/1.5**

[56] **References Cited**

### U.S. PATENT DOCUMENTS

D. 198,475 6/1964 Mojonnier ..... D9/426

D. 253,456 11/1979 Payne ..... D9/426  
D. 266,631 10/1982 Crutchfield ..... D3/30.1  
3,244,312 4/1966 Lawson ..... D9/426

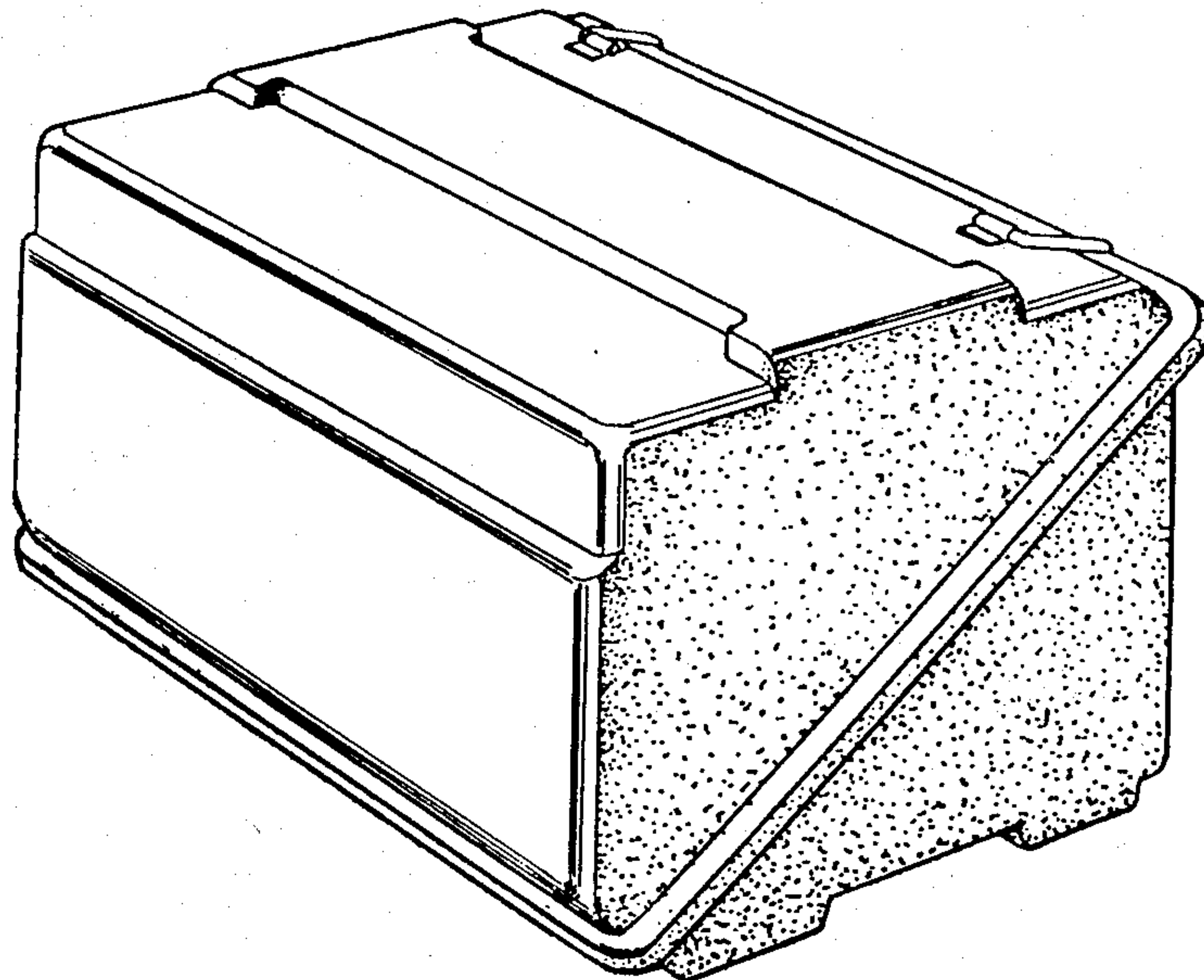
*Primary Examiner*—George P. Word  
*Attorney, Agent, or Firm*—Bailey & Hardaway

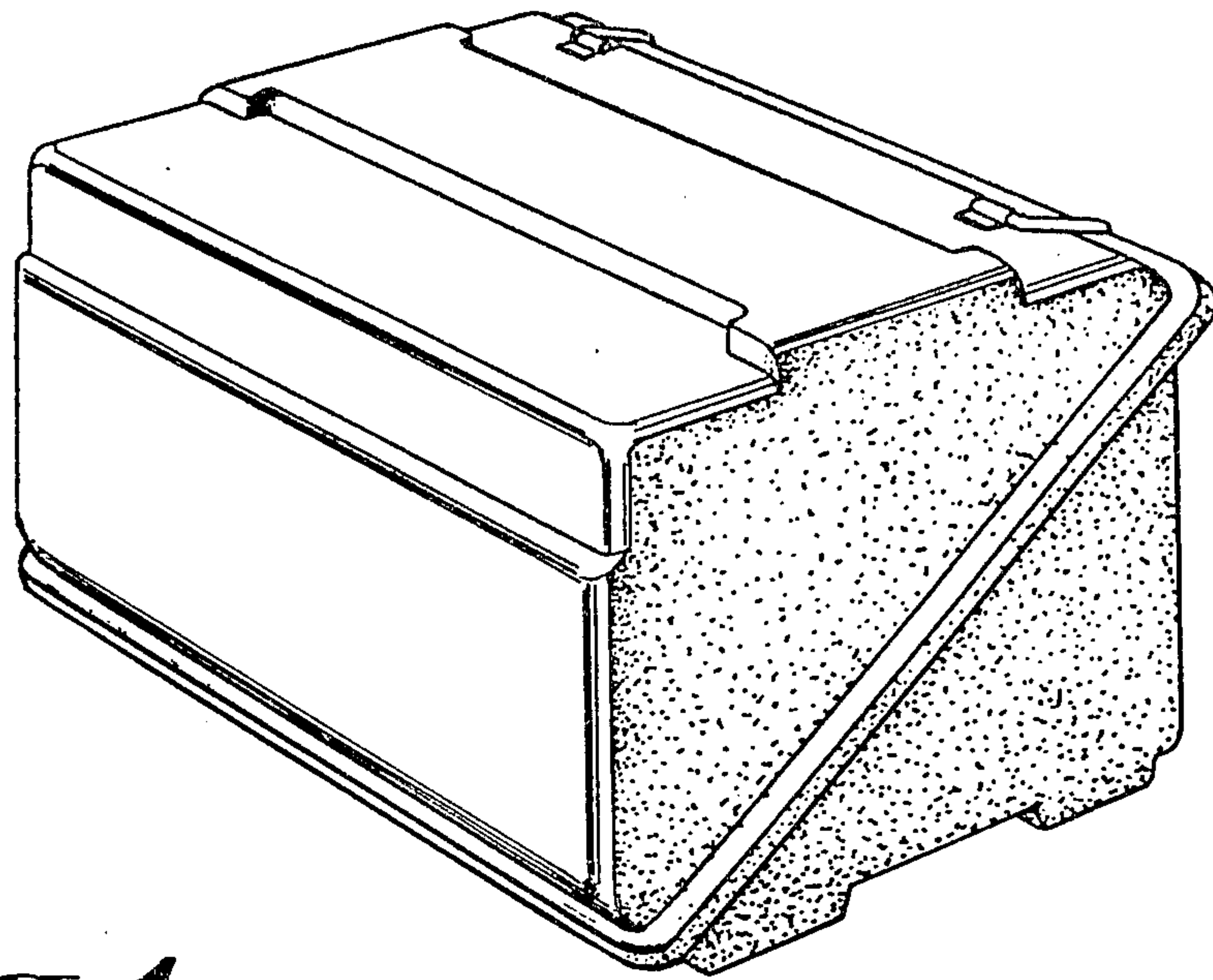
### [57] CLAIM

The ornamental design for a combined case and rack for a circuit board or the like, as shown and described.

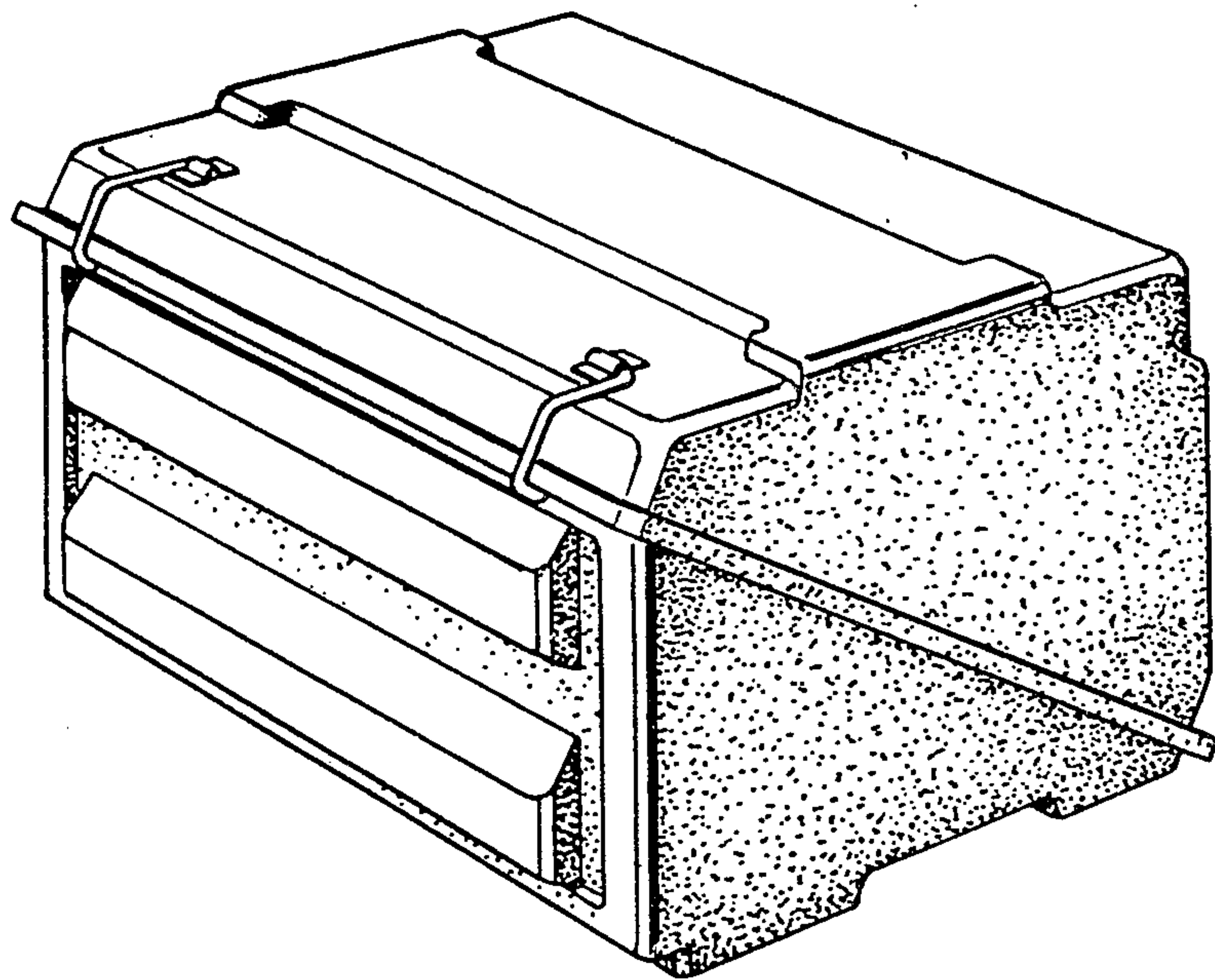
### DESCRIPTION

FIG. 1 is a right front perspective view of a combined case and rack showing our new design; FIG. 2 is a left rear perspective view thereof; FIG. 3 is an enlarged scale side elevational view thereof in the rack form with the two sections nested together; FIG. 4 is a bottom plan view of FIG. 1; and FIG. 5 is a top plan view of FIG. 3.

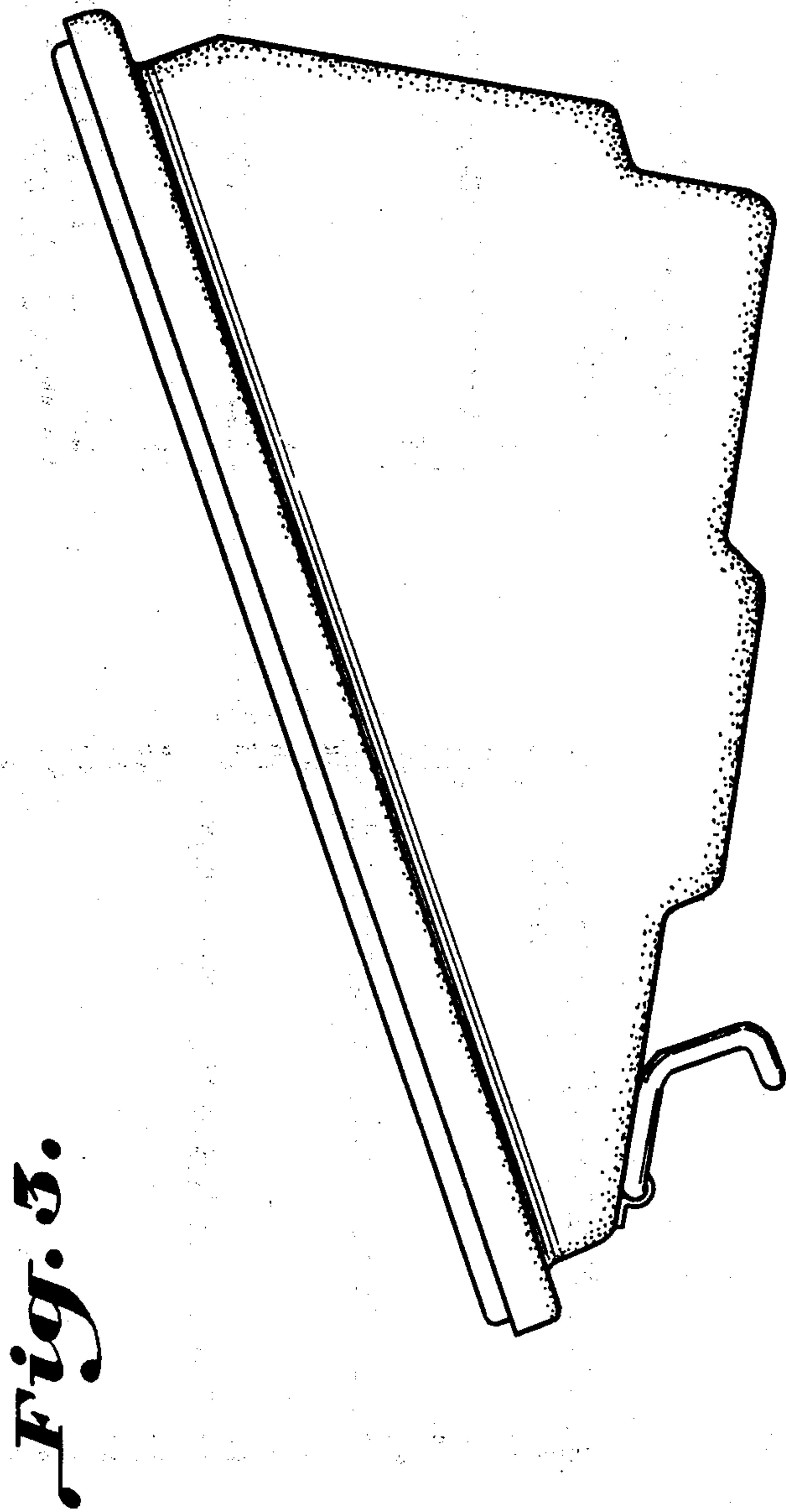




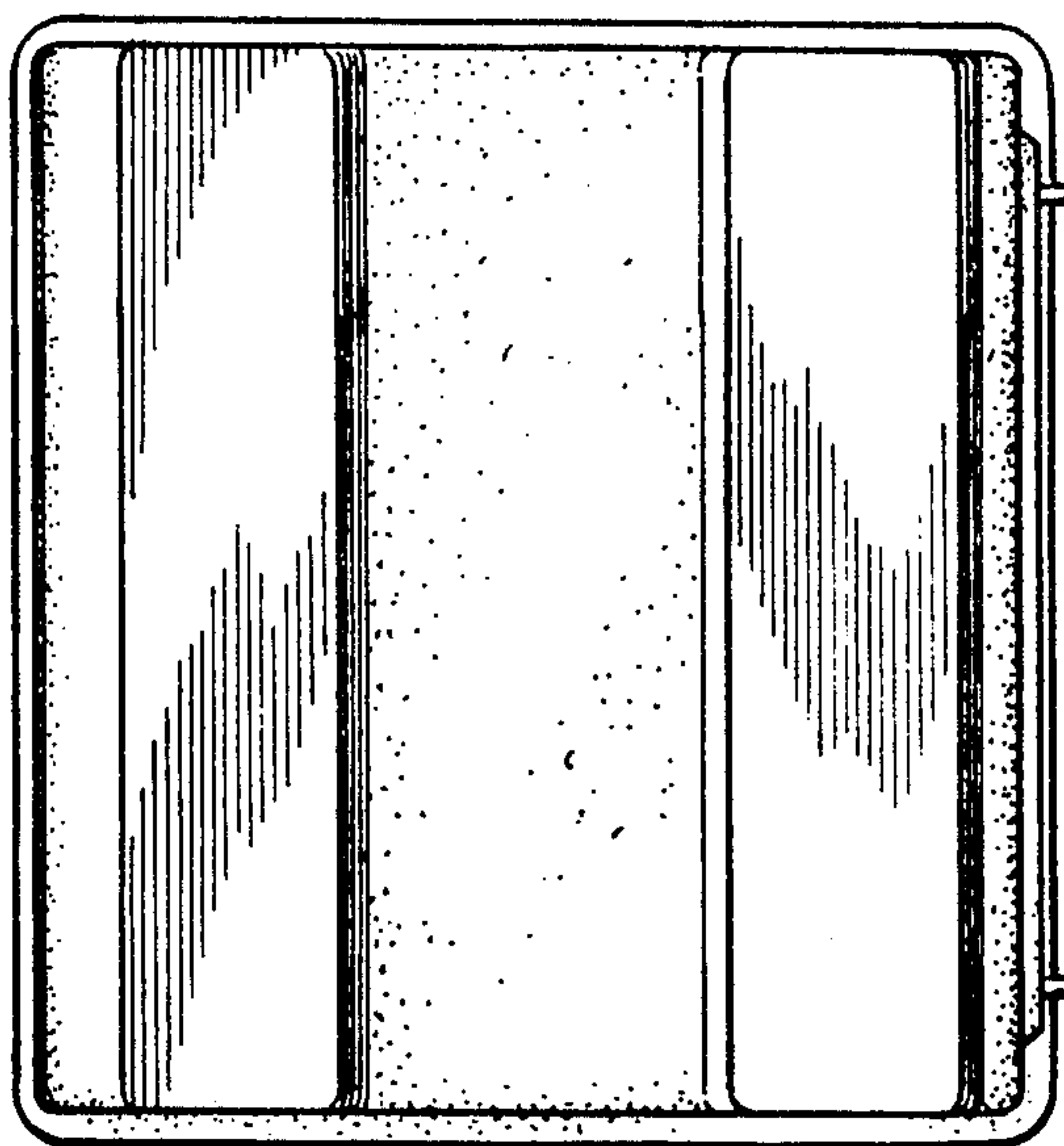
*Fig. 1.*



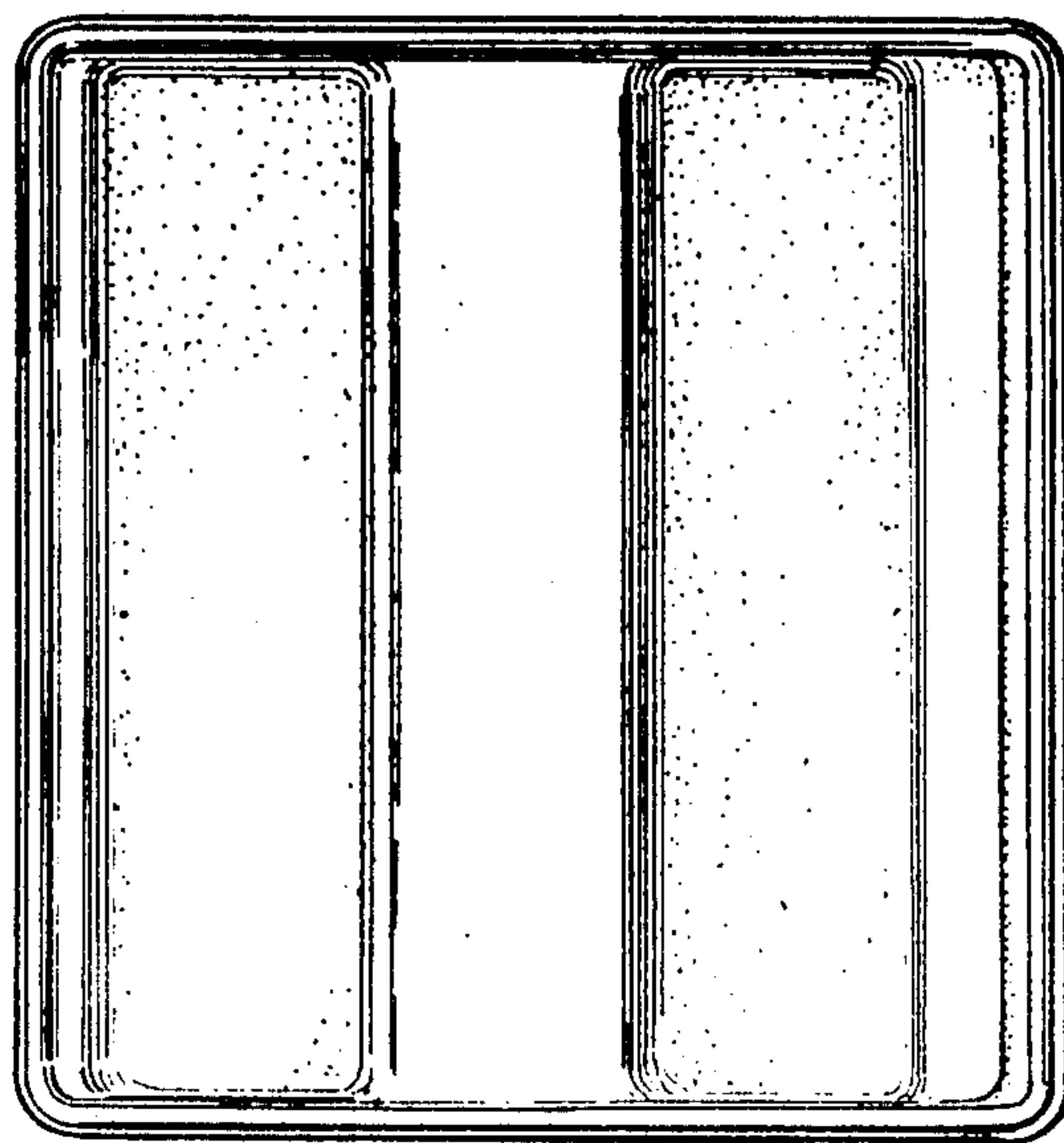
*Fig. 2.*



*Fig. 3.*



*Fig. 4.*



*Fig. 5.*