

[54] **VISOR FRAME FOR A PROTECTIVE HELMET**
[75] **Inventor: Göran Hellberg, Varberg, Sweden**
[73] **Assignee: Hellberg Protection Aktiebolag, Lerum, Sweden**
[**] **Term: 14 Years**
[21] **Appl. No.: 284,014**
[22] **Filed: Jul. 16, 1981**

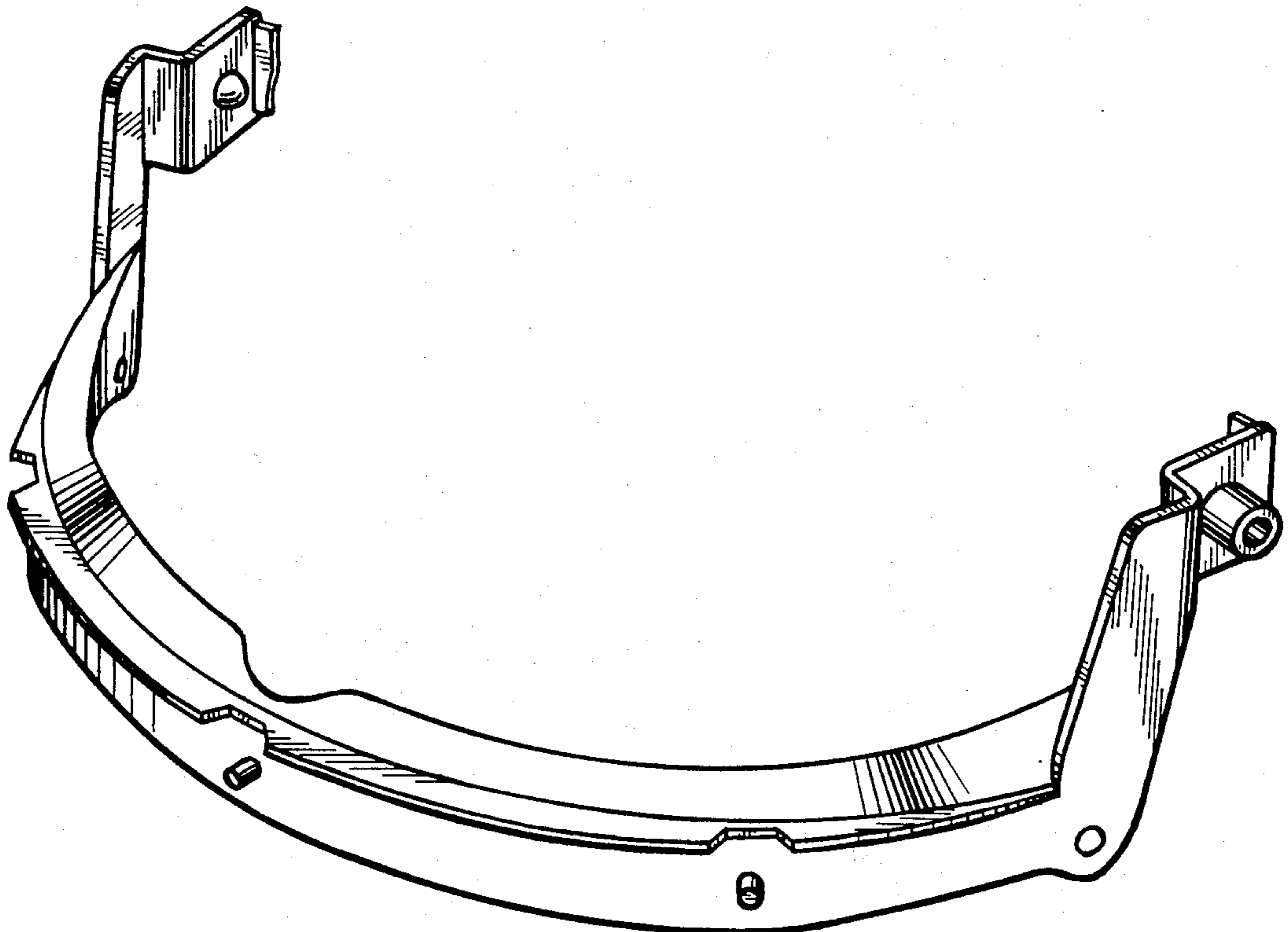
[30] **Foreign Application Priority Data**
Feb. 17, 1981 [SE] Sweden 81-0401
[52] **U.S. Cl. D2/233**
[58] **Field of Search D2/230, 231, 232, 233; 2/6, 10, 424**

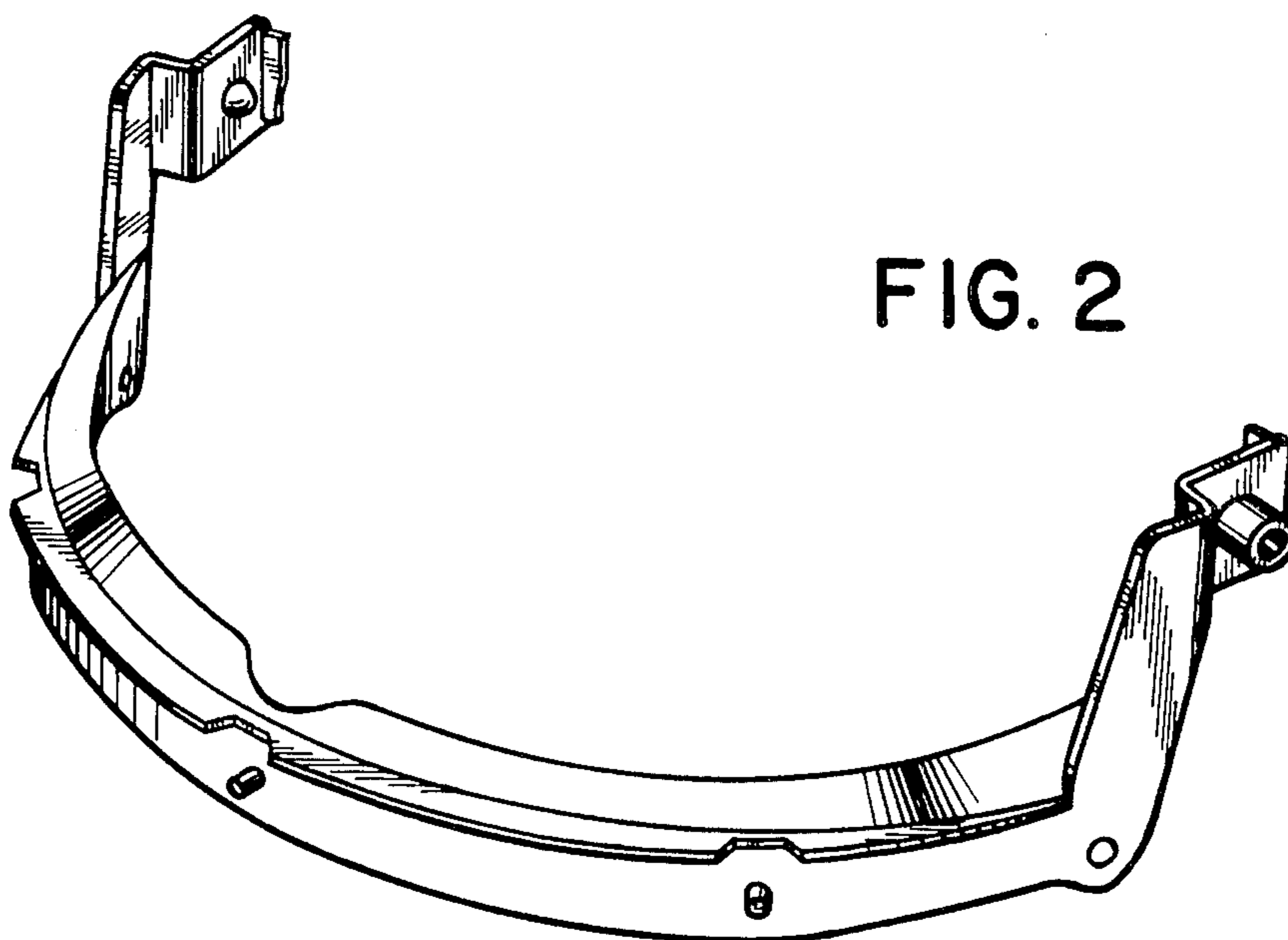
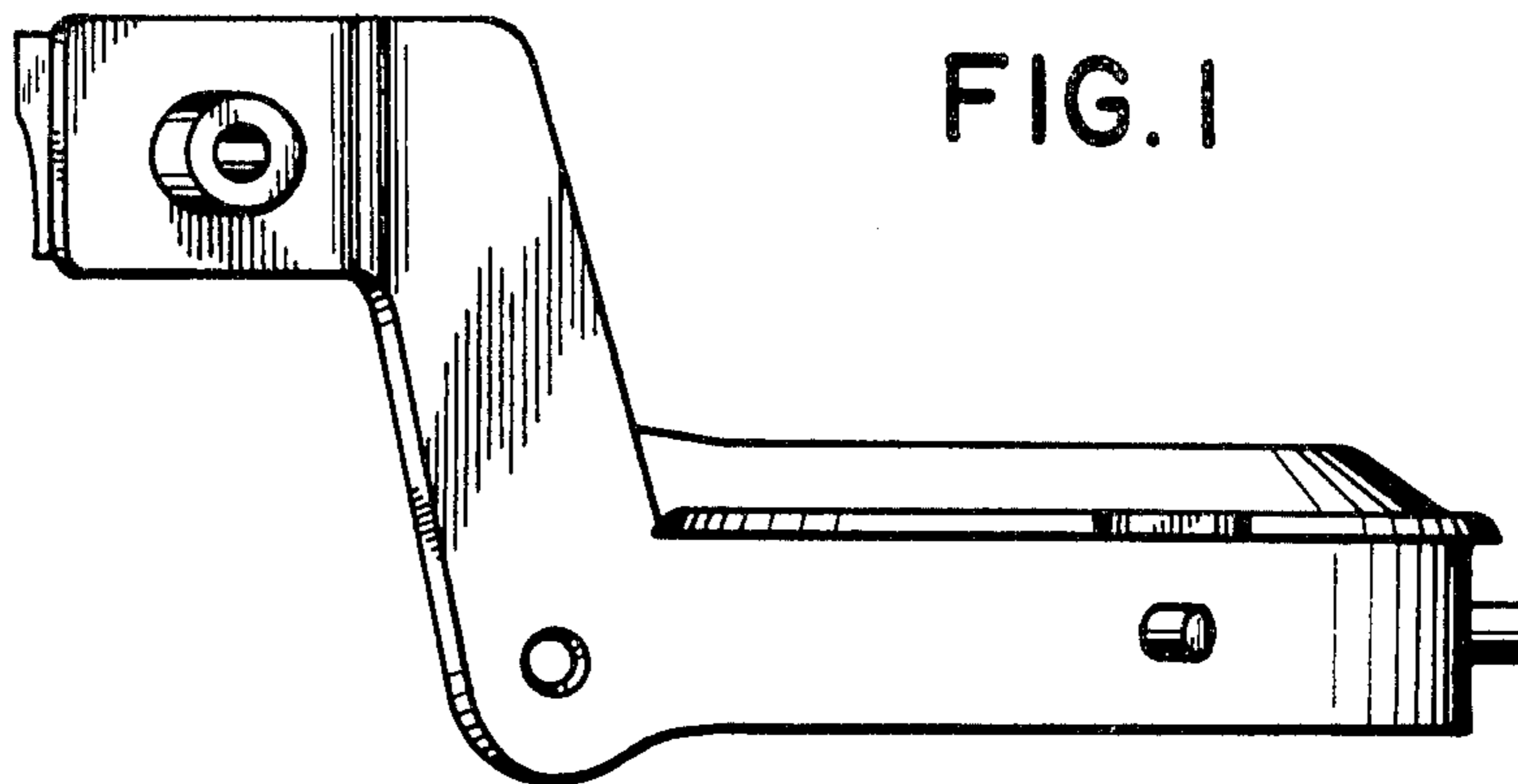
[56] **References Cited**
U.S. PATENT DOCUMENTS
D. 168,057 10/1952 Margwarth D2/233
D. 250,496 12/1978 Odell et al. D2/233
4,023,210 5/1977 Hanson 2/10

Primary Examiner—Bruce W. Dunkins
Assistant Examiner—Carmen H. Vales
Attorney, Agent, or Firm—Holman & Stern

[57] **CLAIM**
The ornamental design for a visor frame for a protective helmet, as shown and described.

DESCRIPTION
FIG. 1 is a side elevational view of a visor frame for a protective helmet showing my new design; FIG. 2 is a perspective view thereof; and FIG. 3 is an enlarged top plan view thereof.





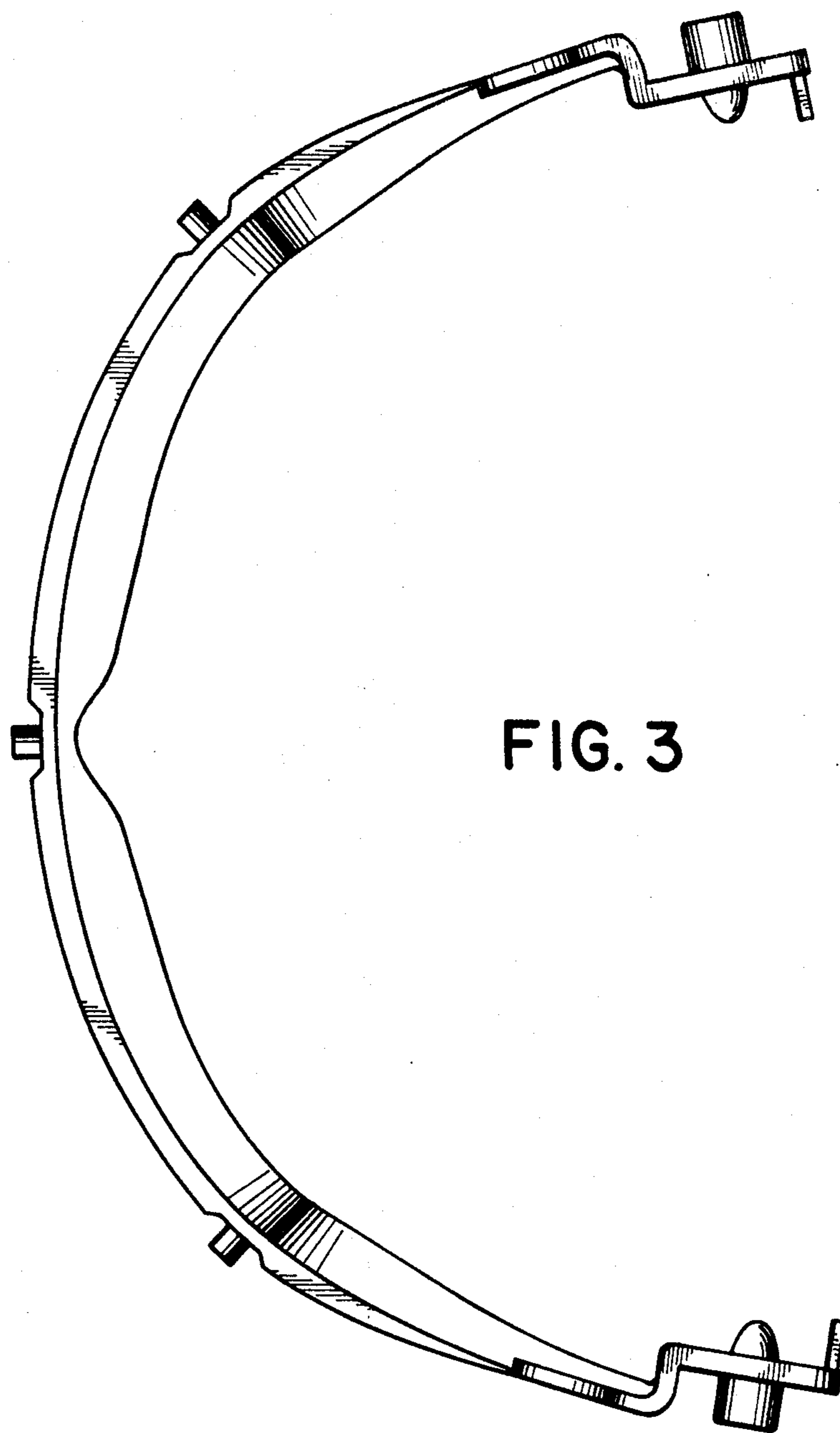


FIG. 3