

[54] OIL HEATER

[75] Inventors: Shigetoshi Hazama; Shuzo Sawa; Matafumi Ikeda; Akira Esaki, all of Osaka, Japan

[73] Assignee: Sharp Corporation, Osaka, Japan

[\*\*] Term: 14 Years

[21] Appl. No.: 441,490

[22] Filed: Nov. 12, 1982

[30] Foreign Application Priority Data

|                      |       |                                   |
|----------------------|-------|-----------------------------------|
| May 11, 1982 [JP]    | Japan | 57-20454                          |
| [52] U.S. Cl.        |       | D23/123                           |
| [58] Field of Search |       | D23/92, 93, 119-124;<br>126/92-97 |

[56] References Cited  
PUBLICATIONS

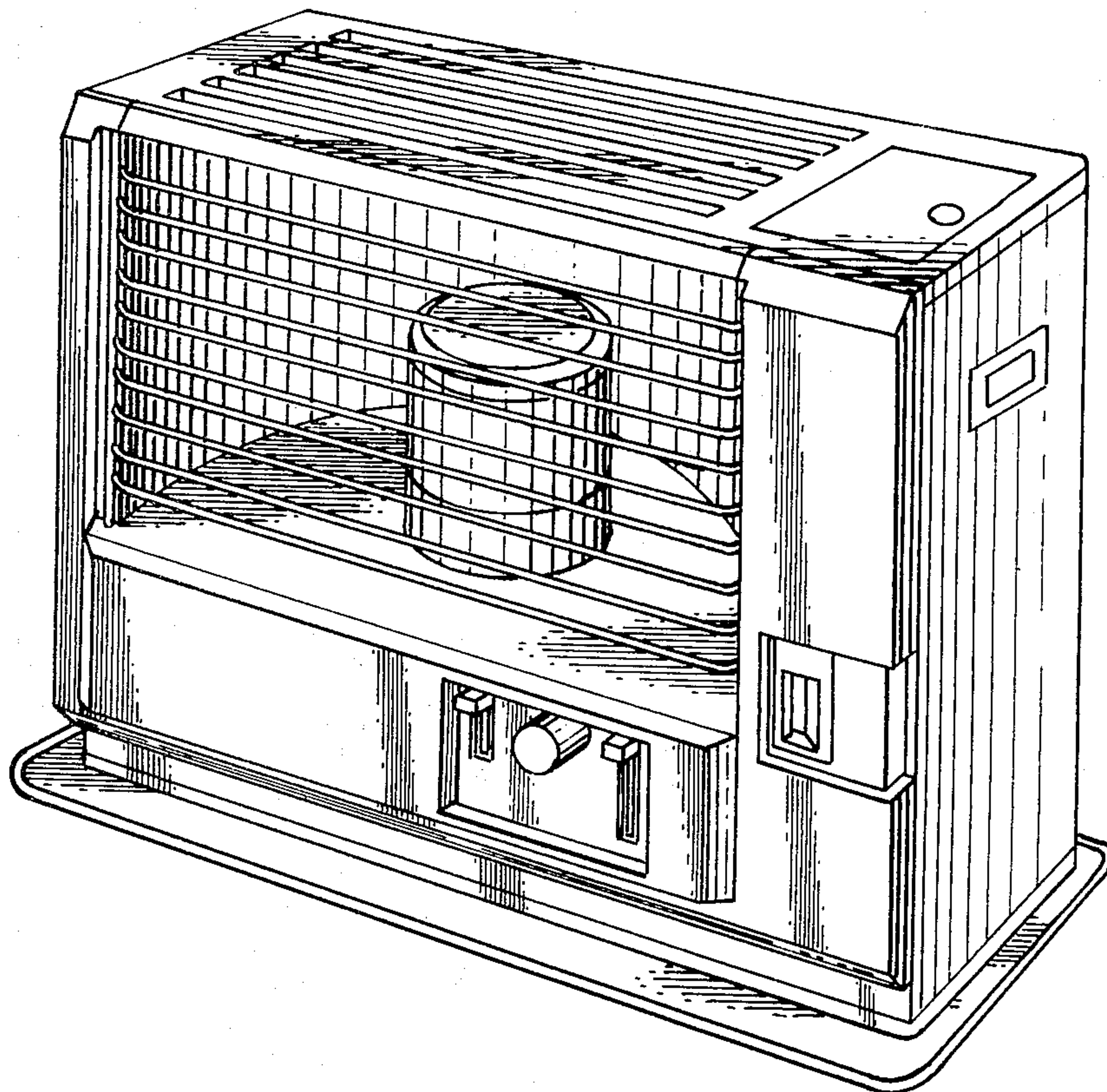
Hardware Age-Jul. 1980-p. 19-Toyokuni heater 80--EGQ.  
 Hardware Age-Sep. 1980-p. 75-Kerotech "Resident" heater.  
 Hardware Age-Jun. 1981-p. 57-Corona heaters.  
 Hardware Age-Jun. 1981-p. 65-Yuasa heater J-20.  
 Primary Examiner—Catherine E. Kemper  
 Attorney, Agent, or Firm—Flehr, Hohbach, Test, Albritton & Herbert

[57] CLAIM

The ornamental design for an oil heater, as shown and described.

DESCRIPTION

FIG. 1 is a perspective view of the oil heater showing our new design;  
 FIG. 2 is a front elevational view thereof;  
 FIG. 3 is a top plan view thereof;  
 FIG. 4 is a rear elevational view thereof;  
 FIG. 5 is a bottom plan view thereof;  
 FIG. 6 is a right side elevational view thereof; and  
 FIG. 7 is a left side elevational view thereof.



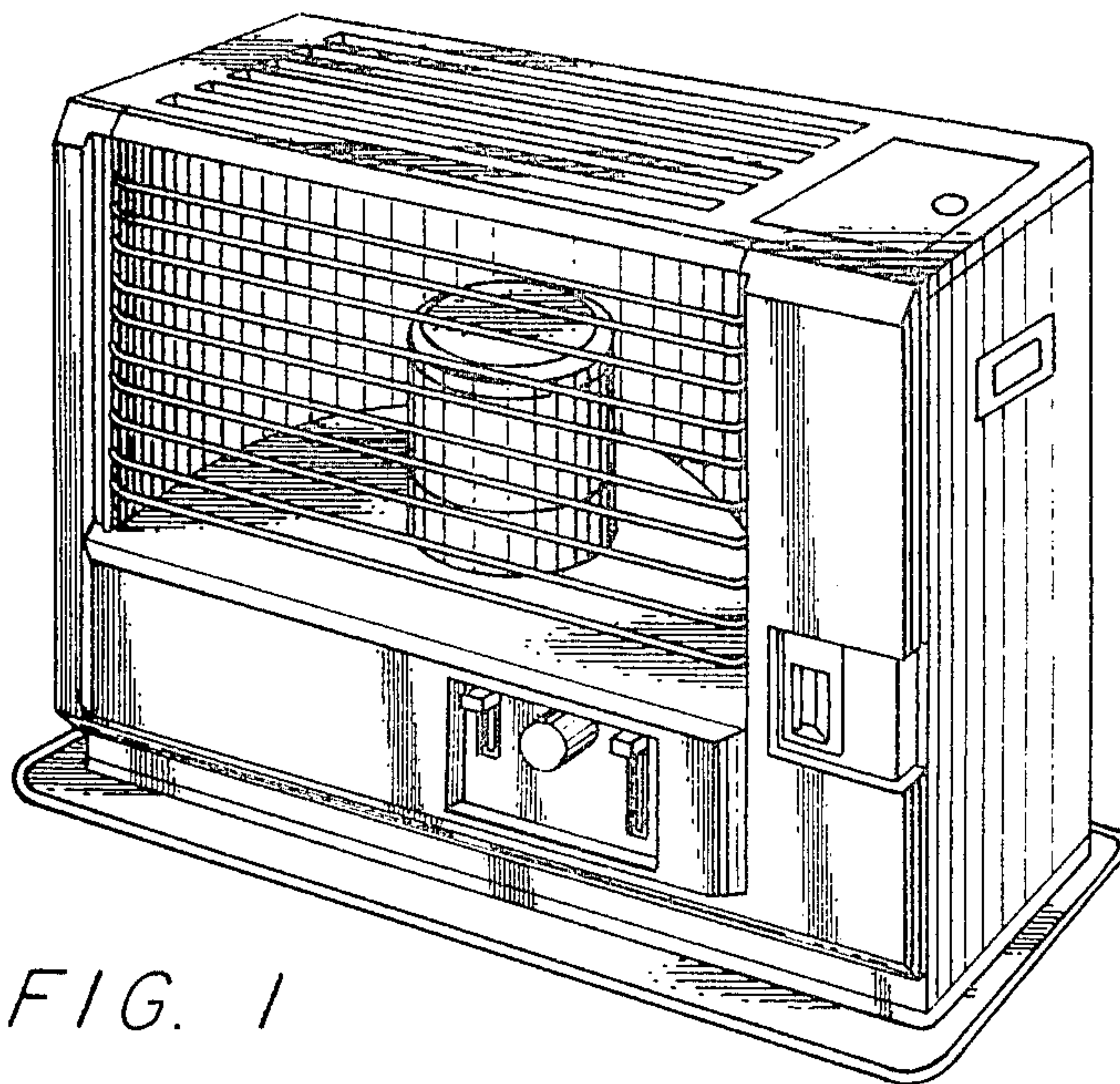


FIG. 1

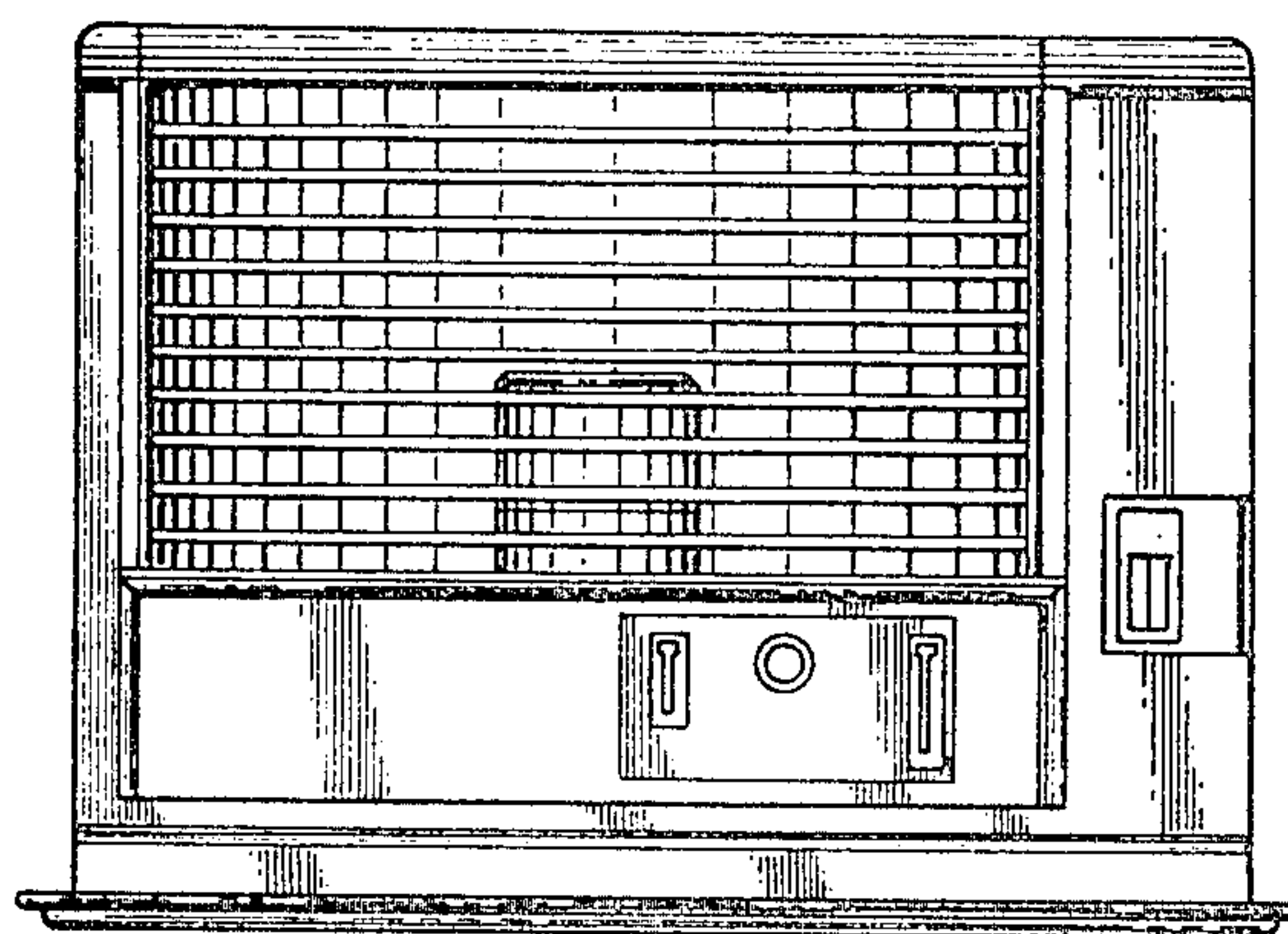


FIG. 2

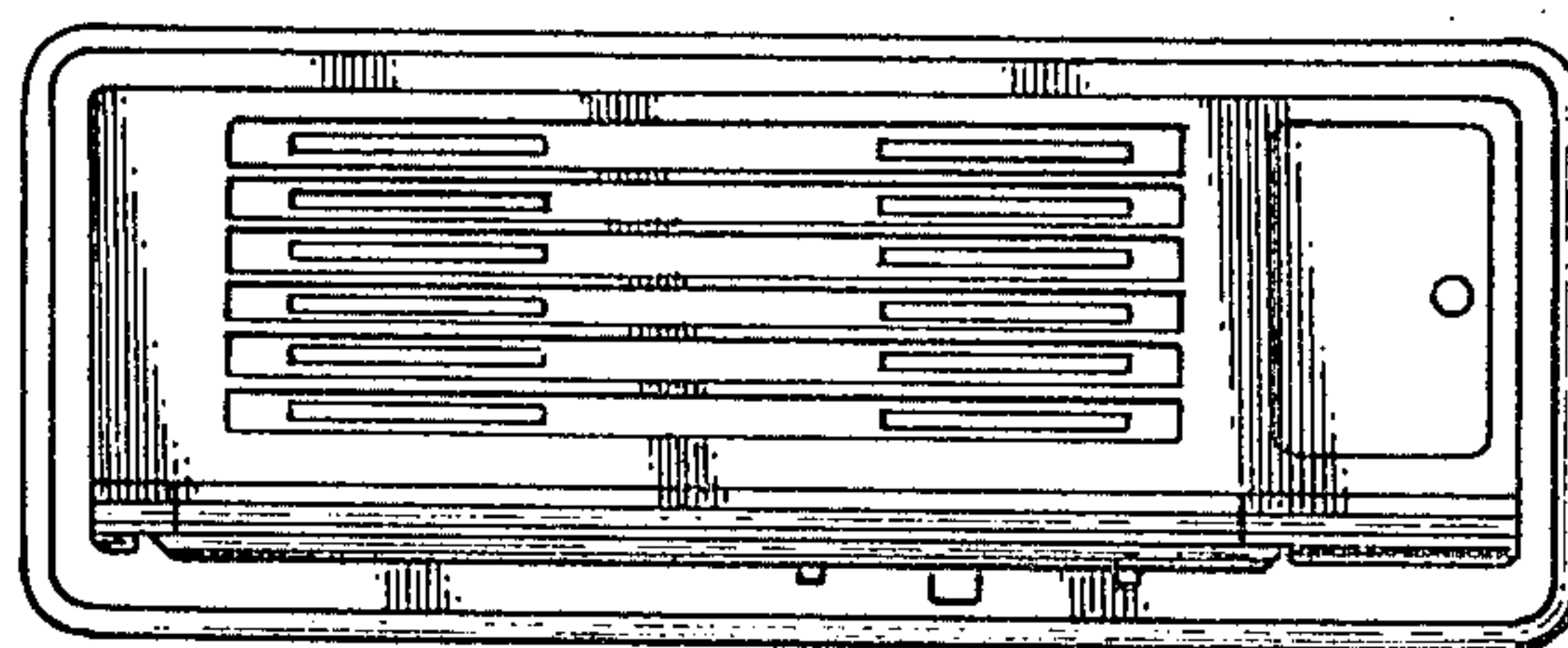


FIG. 3

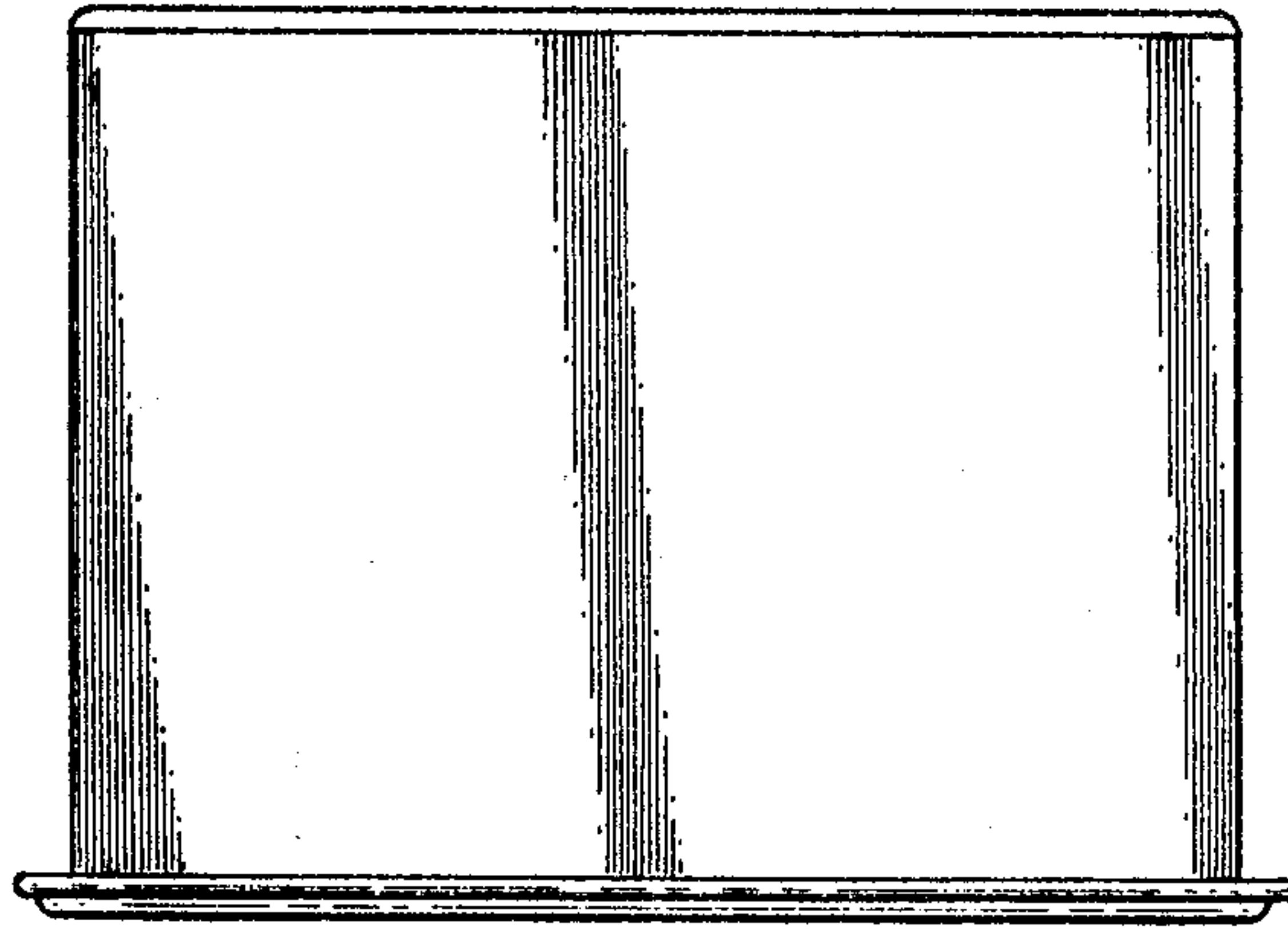


FIG. 4

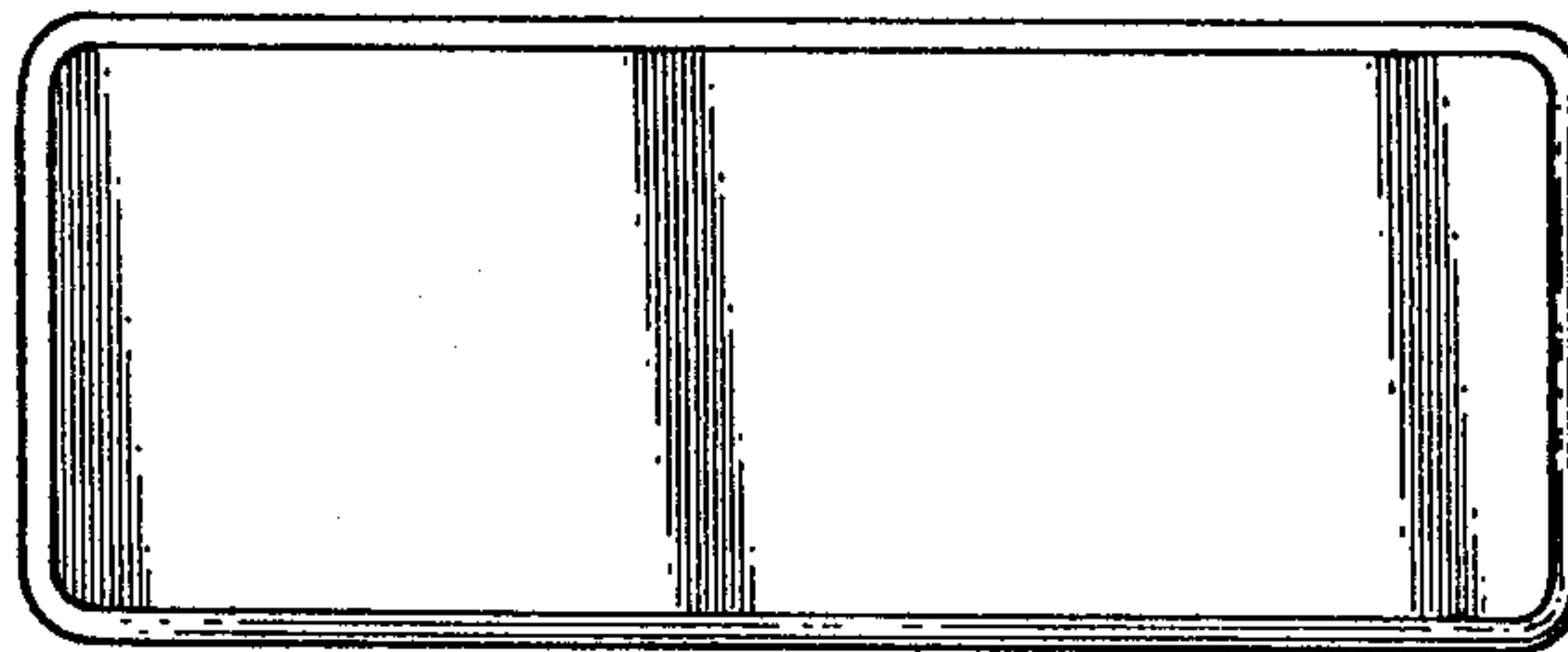


FIG. 5

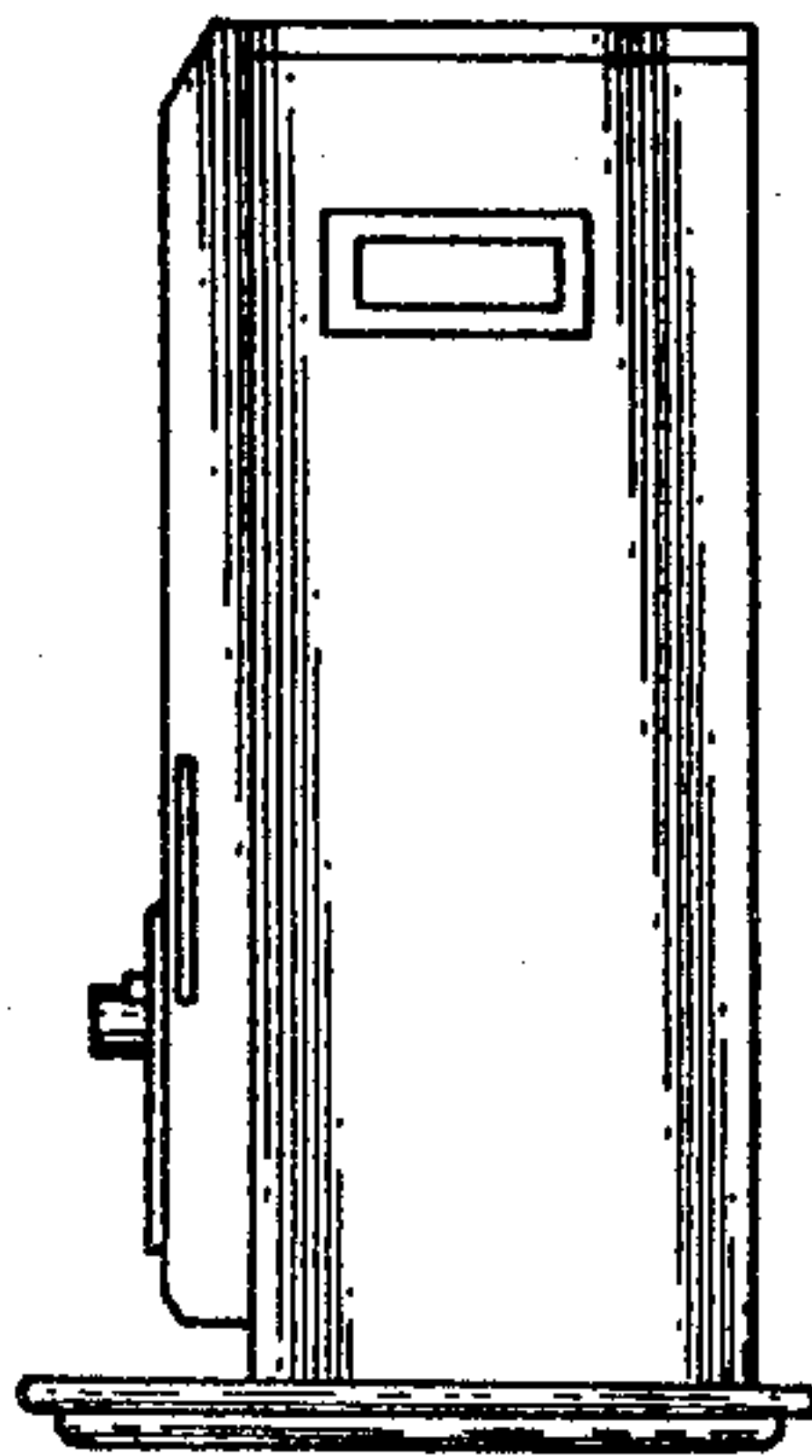


FIG. 6

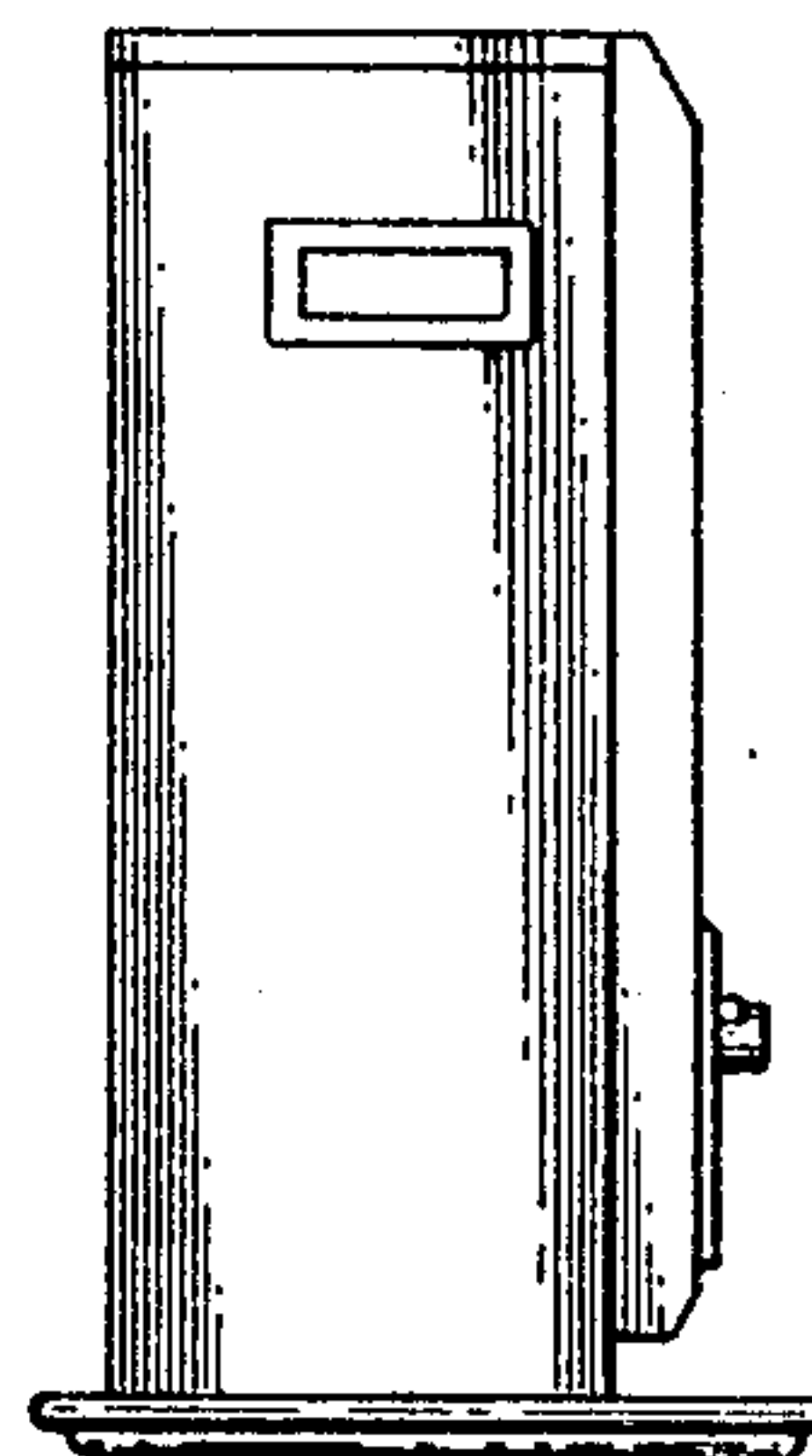


FIG. 7