

[54] OIL HEATER

[75] Inventors: Shigetoshi Hazama; Shuzo Sawa; Matafumi Ikeda; Akira Esaki, all of Osaka, Japan

[73] Assignee: Sharp Corporation, Osaka, Japan

[**] Term: 14 Years

[21] Appl. No.: 441,242

[22] Filed: Nov. 12, 1982

[30] Foreign Application Priority Data

May 11, 1982 [JP] Japan 57-20455
[52] U.S. Cl. D23/123
[58] Field of Search D23/92, 93, 119-124; 126/92-97

[56] References Cited
PUBLICATIONS

Hardware Age-Apr. 1981-p. 82-Yuasa heater J-20.
Hardware Age-May 1981-p. 59-Corona heater.

Hardware Age-Jul. 1980-p. 19-Toyokuni heater 80-EGQ.

Hardware Age-Aug. 1980-p. 141-Aladdin heaters.
Hardware Age-Sep. 1980-p. 75-Kerotech "Resident" heater.

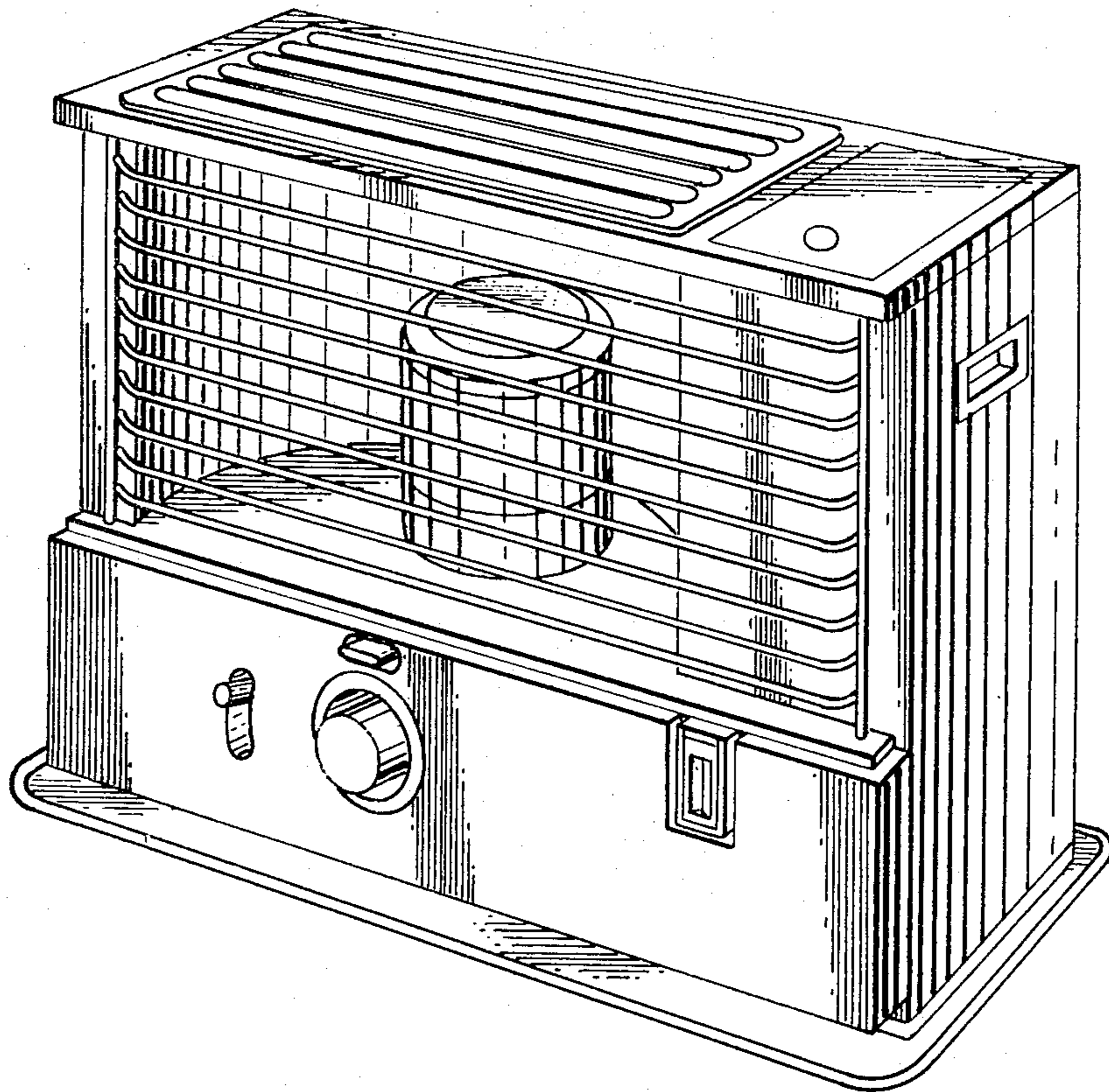
Primary Examiner—Catherine E. Kemper
Attorney, Agent, or Firm—Flehr, Hohbach, Test, Albritton & Herbert

[57] CLAIM

The ornamental design for an oil heater, as shown and described.

DESCRIPTION

FIG. 1 is a perspective view of the oil heater showing our new design;
FIG. 2 is a front elevational view thereof;
FIG. 3 is a top plan view thereof;
FIG. 4 is a rear elevational view thereof;
FIG. 5 is a bottom plan view thereof;
FIG. 6 is a right side elevational view thereof; and
FIG. 7 is a left side elevational view thereof.



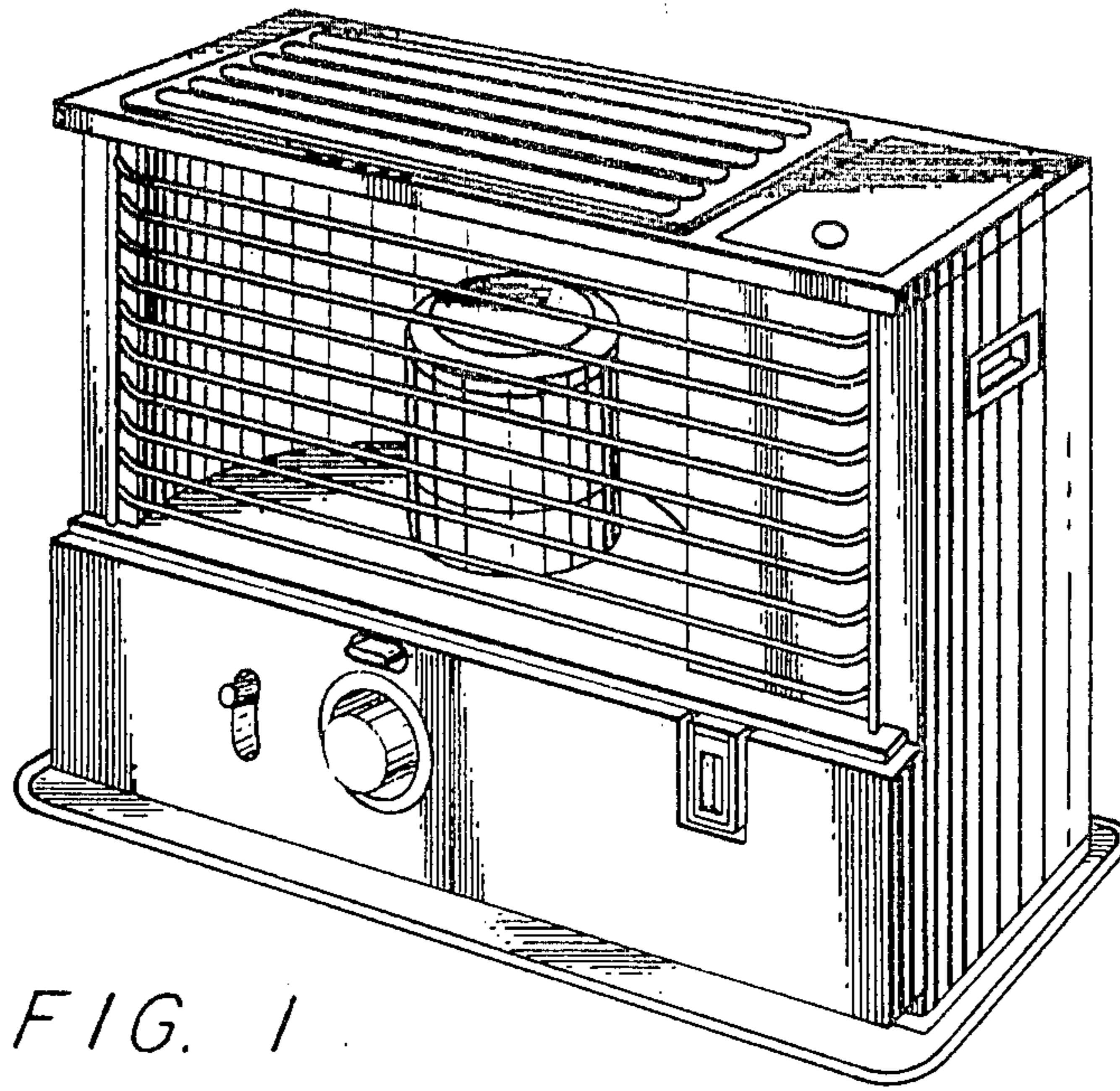


FIG. 1

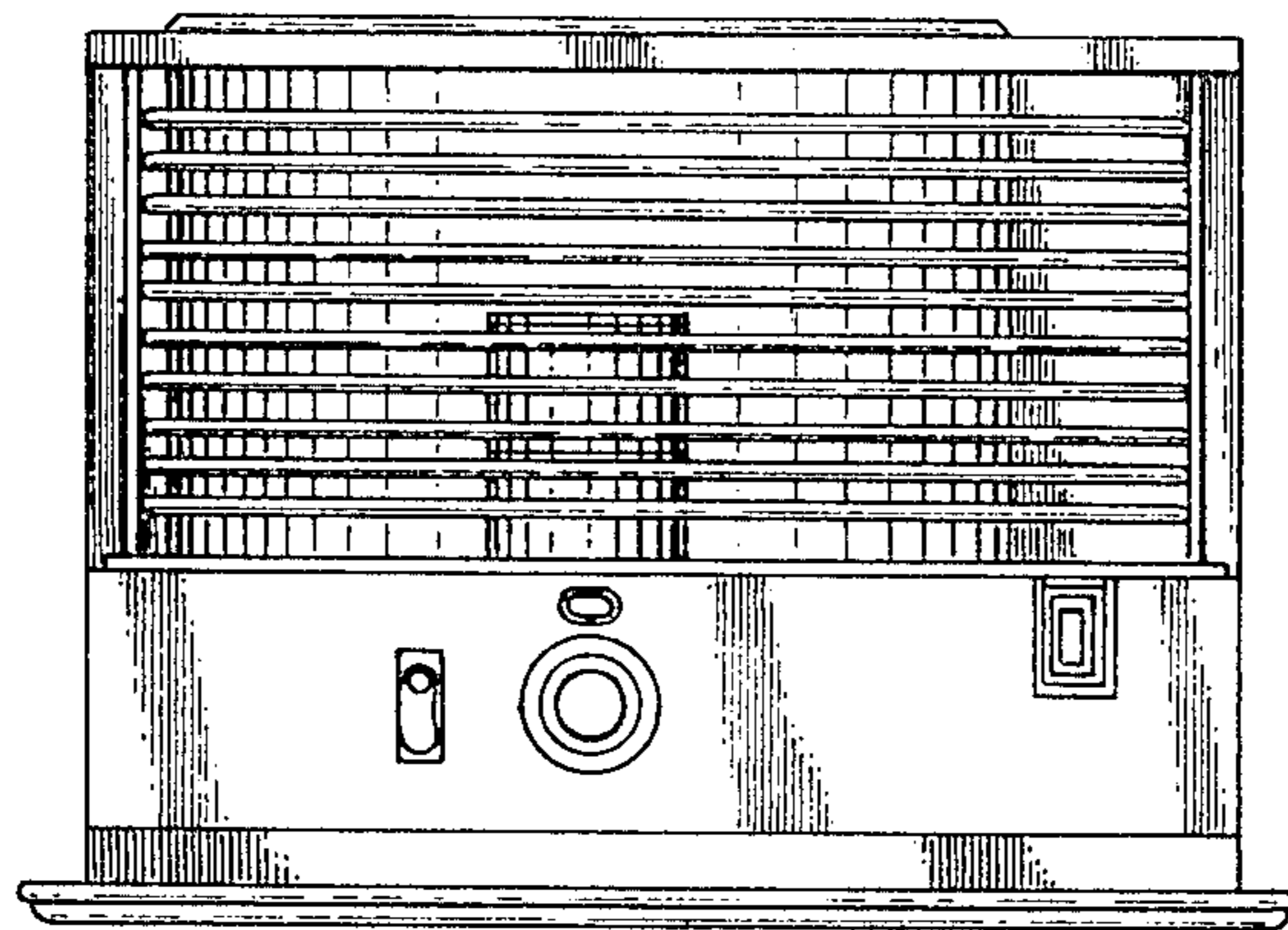


FIG. 2

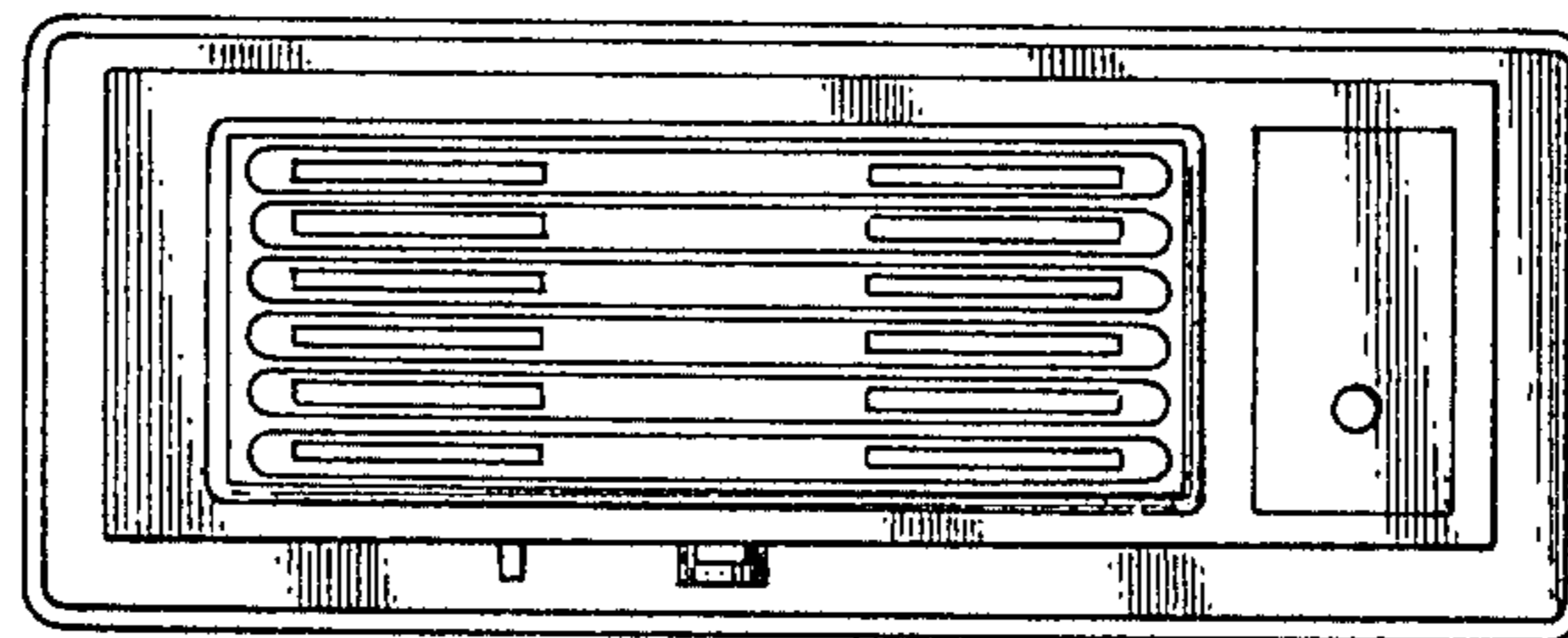


FIG. 3

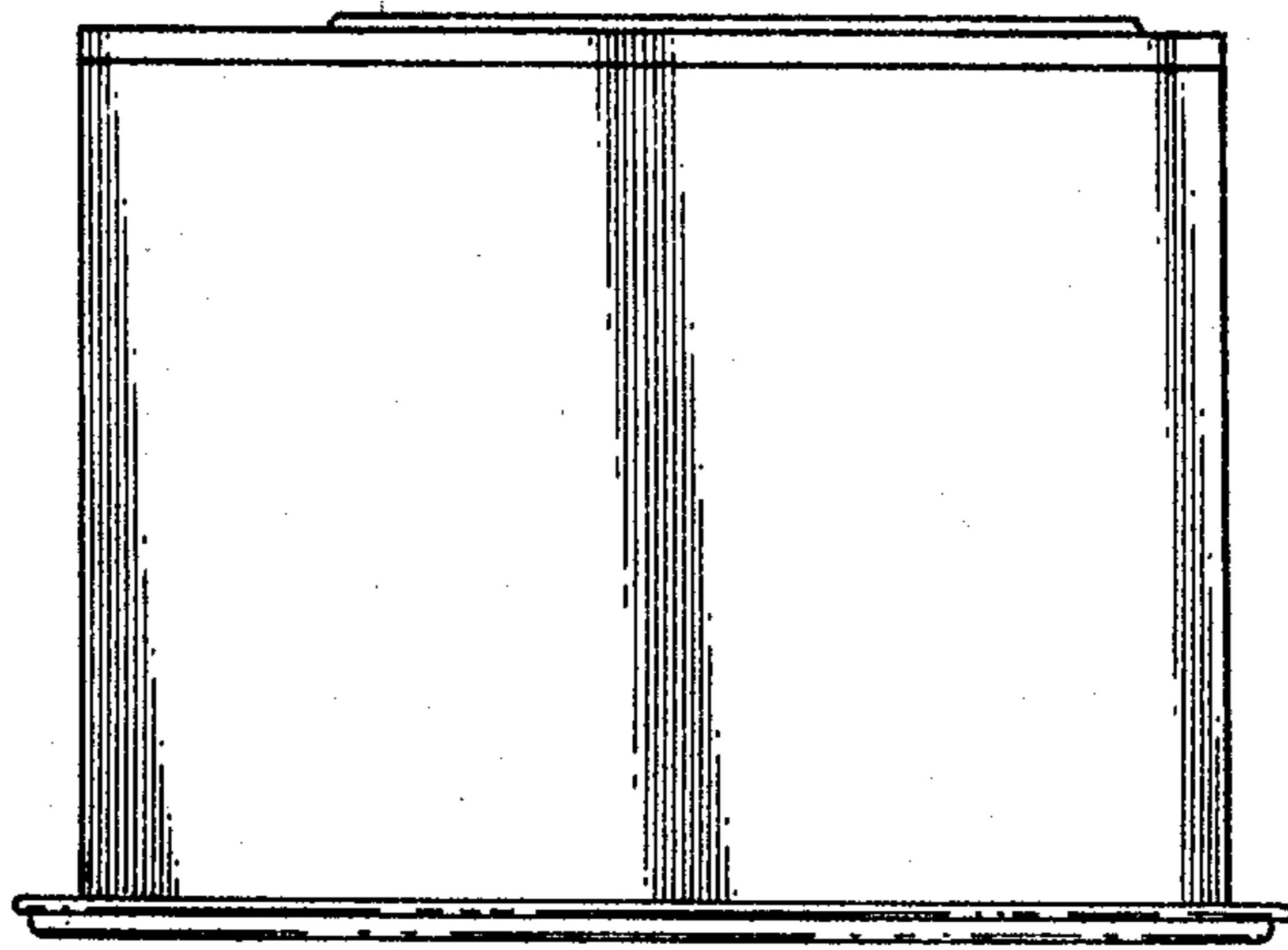


FIG. 4

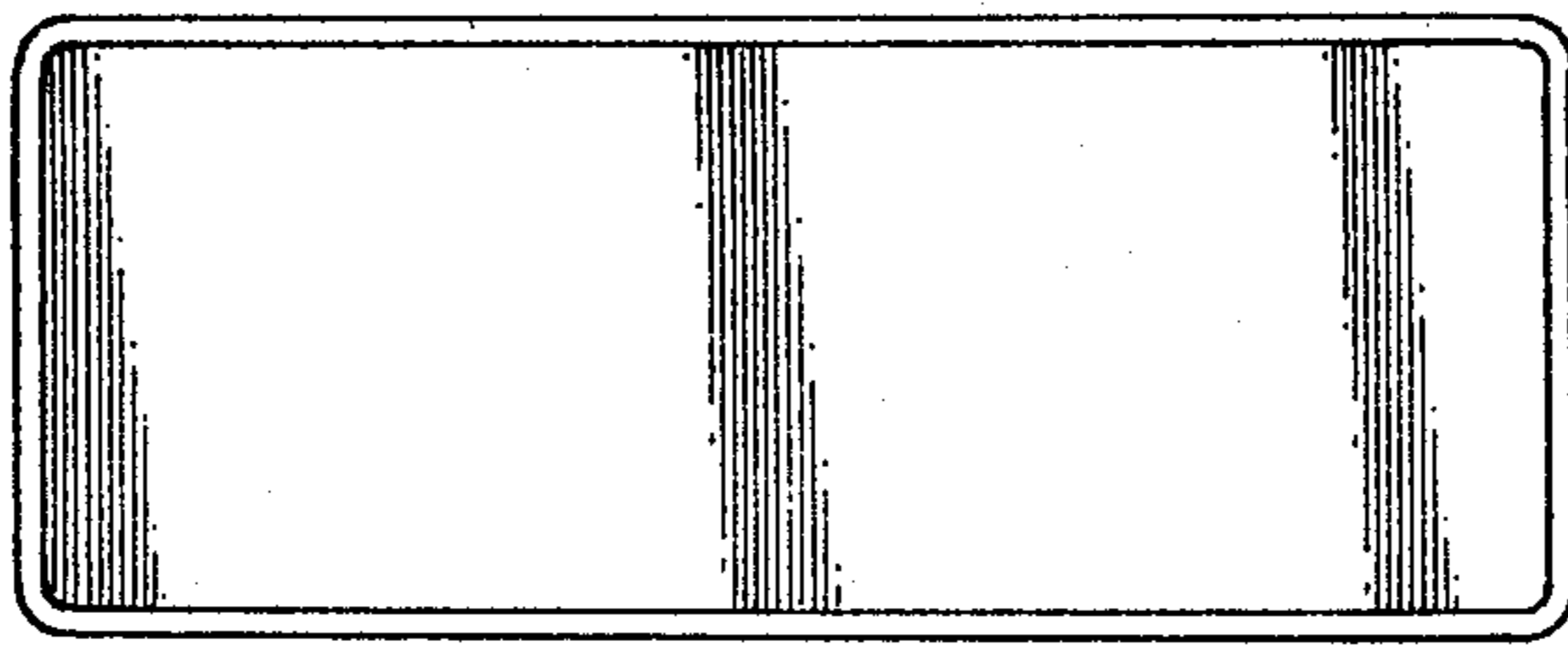


FIG. 5

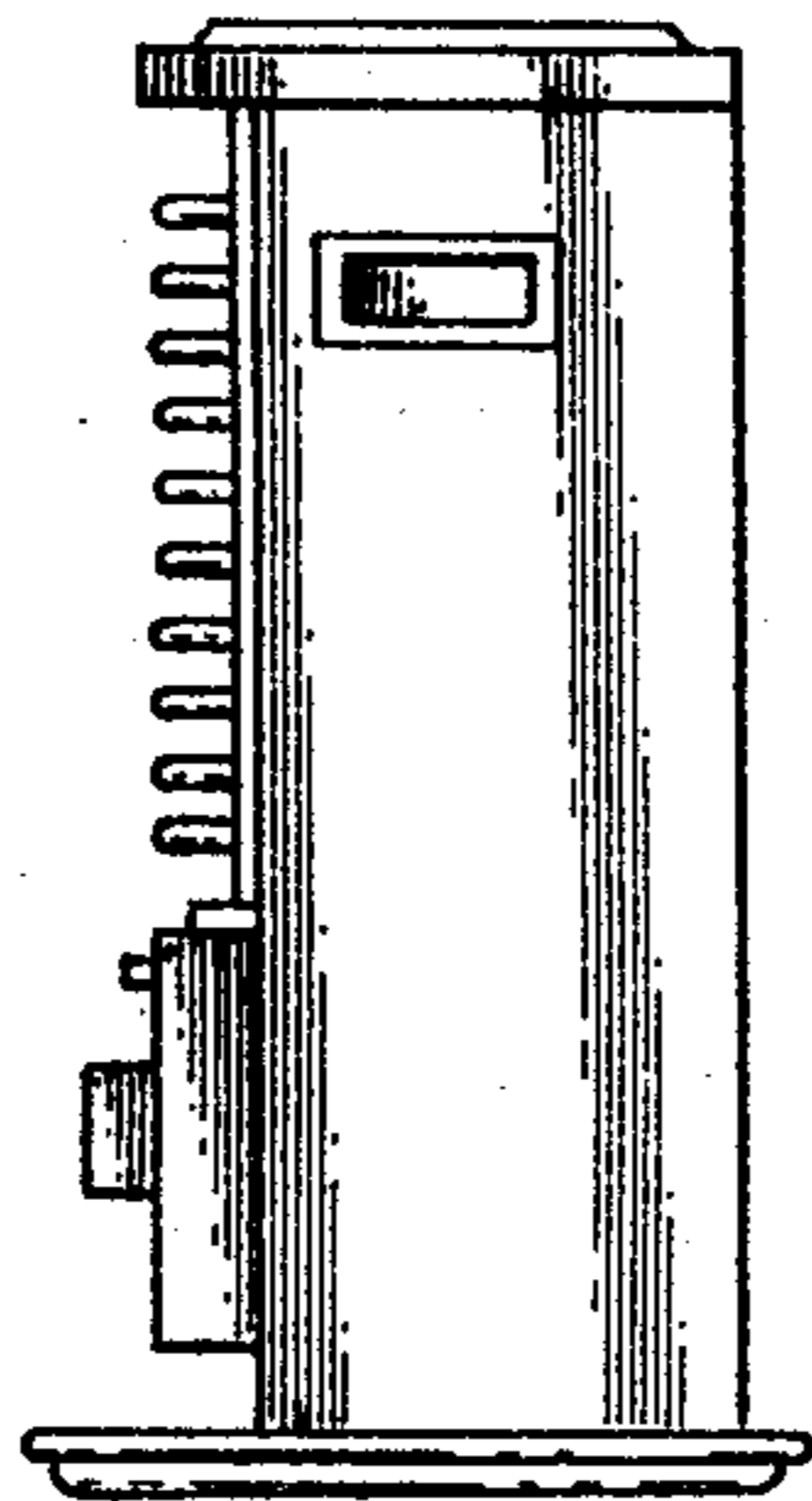


FIG. 6

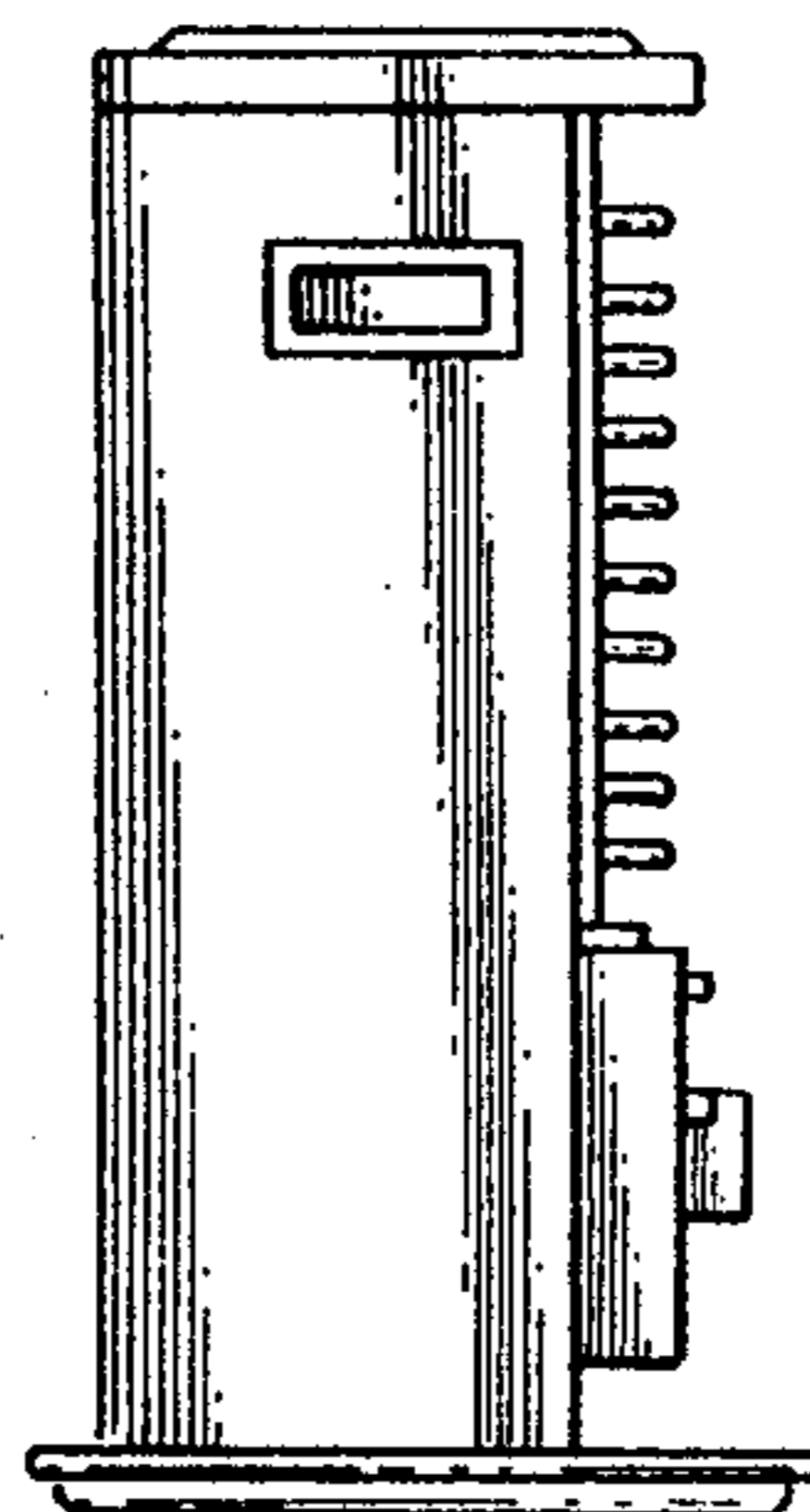


FIG. 7