

[54] INVERTED IMAGE MICROSCOPE

[75] Inventors: Heinrich Janke, Braunfels; Hans-Kurt Uellenberg, Edingen, both of Fed. Rep. of Germany

[73] Assignee: Ernst Leitz Wetzlar GmbH, Wetzlar, Fed. Rep. of Germany

[**] Term: 14 Years

[21] Appl. No.: 495,163

[22] Filed: May 17, 1983

[30] Foreign Application Priority Data

Jan. 27, 1983 [DE] Fed. Rep. of Germany MR 241

[52] U.S. Cl. D16/131

[58] Field of Search D16/131; 350/514, 515, 350/516

[56] References Cited

U.S. PATENT DOCUMENTS

- D. 195,998 8/1963 Auböck D16/131
- D. 198,104 4/1964 Armbruster D16/131
- D. 252,276 7/1979 Griffith D16/131

- D. 260,402 8/1981 Hodgson D16/131
- D. 263,057 2/1982 Janke et al. D16/131
- D. 265,206 6/1982 Weber et al. D16/131
- 1,958,280 5/1934 Patterson et al. D16/131
- 3,260,157 7/1966 Boughton D16/131
- 3,914,012 10/1975 Boughton 350/514
- 4,026,631 5/1977 Erb 350/514

OTHER PUBLICATIONS

Bausch & Lomb Balplan Microscopes Brochure, published 1-1982, p. 3 showing.

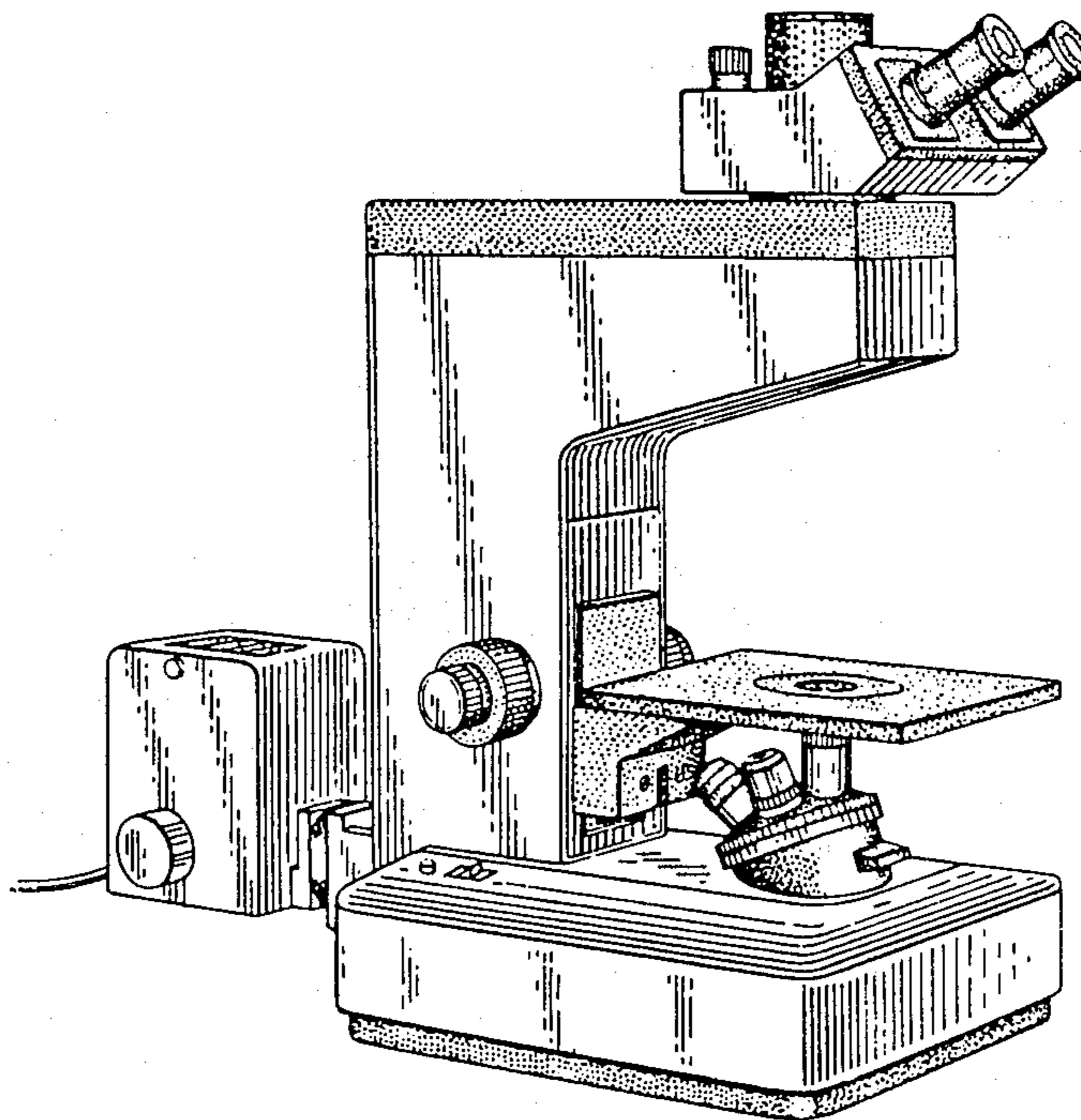
Primary Examiner—Wallace R. Burke
Assistant Examiner—Horace B. Fay
Attorney, Agent, or Firm—Wells & Wells

[57] CLAIM

The ornamental design for an inverted image microscope, as shown.

DESCRIPTION

FIG. 1 is a perspective front view and left side view of an inverted image microscope showing our new design; FIG. 2 is a rear view thereof; FIG. 3 is a top view thereof; and FIG. 4 is a bottom view thereof.



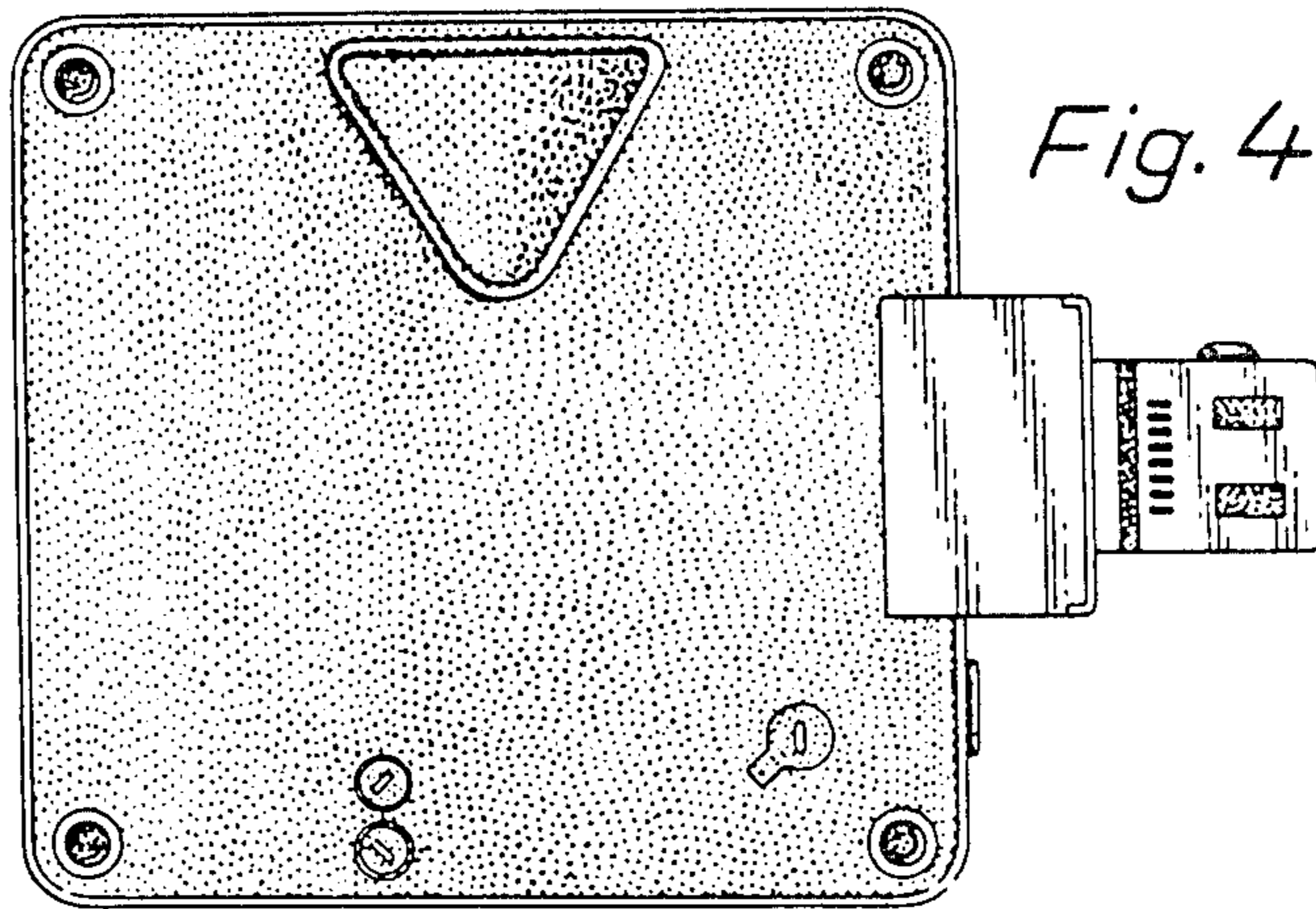


Fig. 4

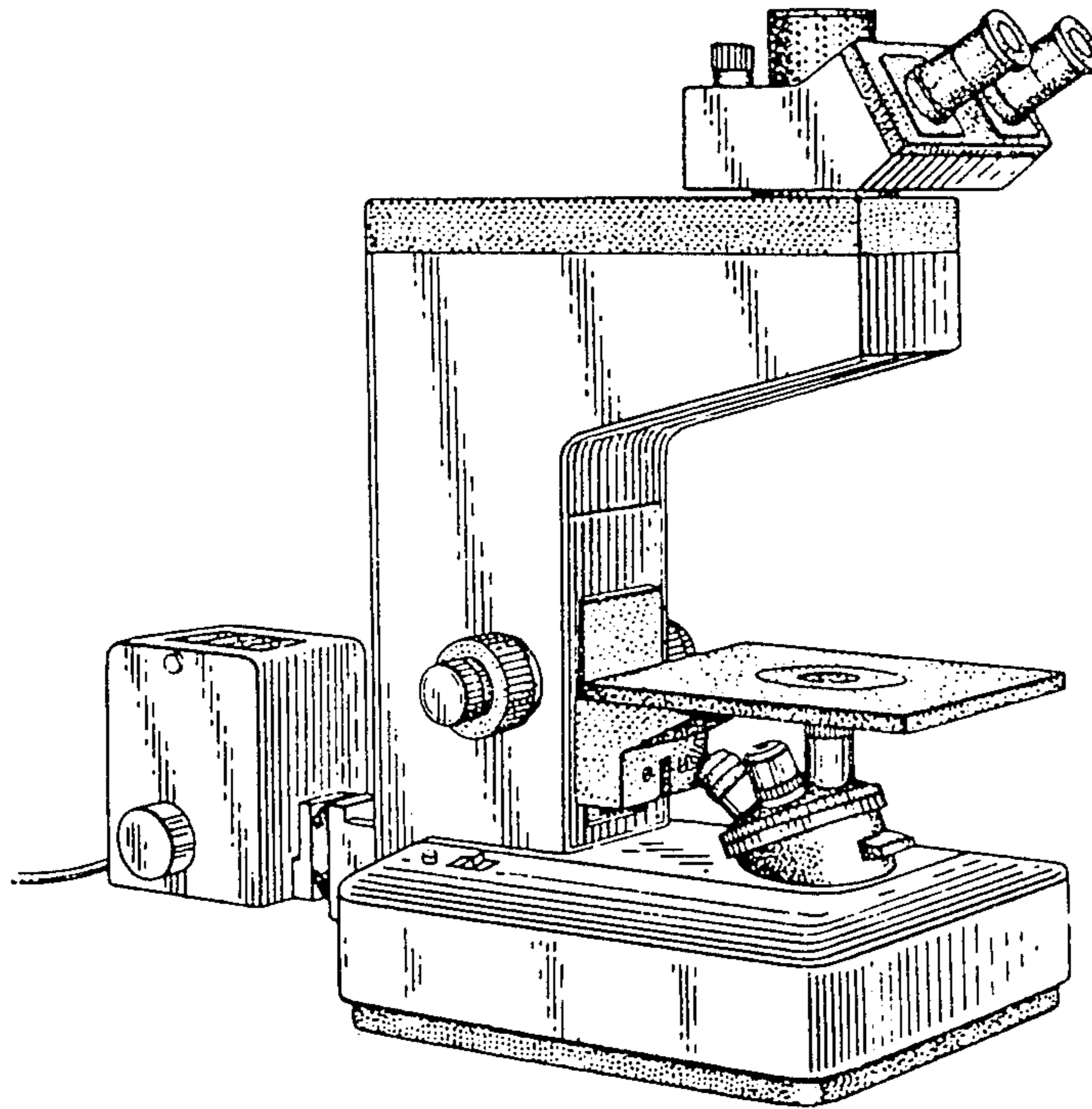


Fig. 1

Fig. 2

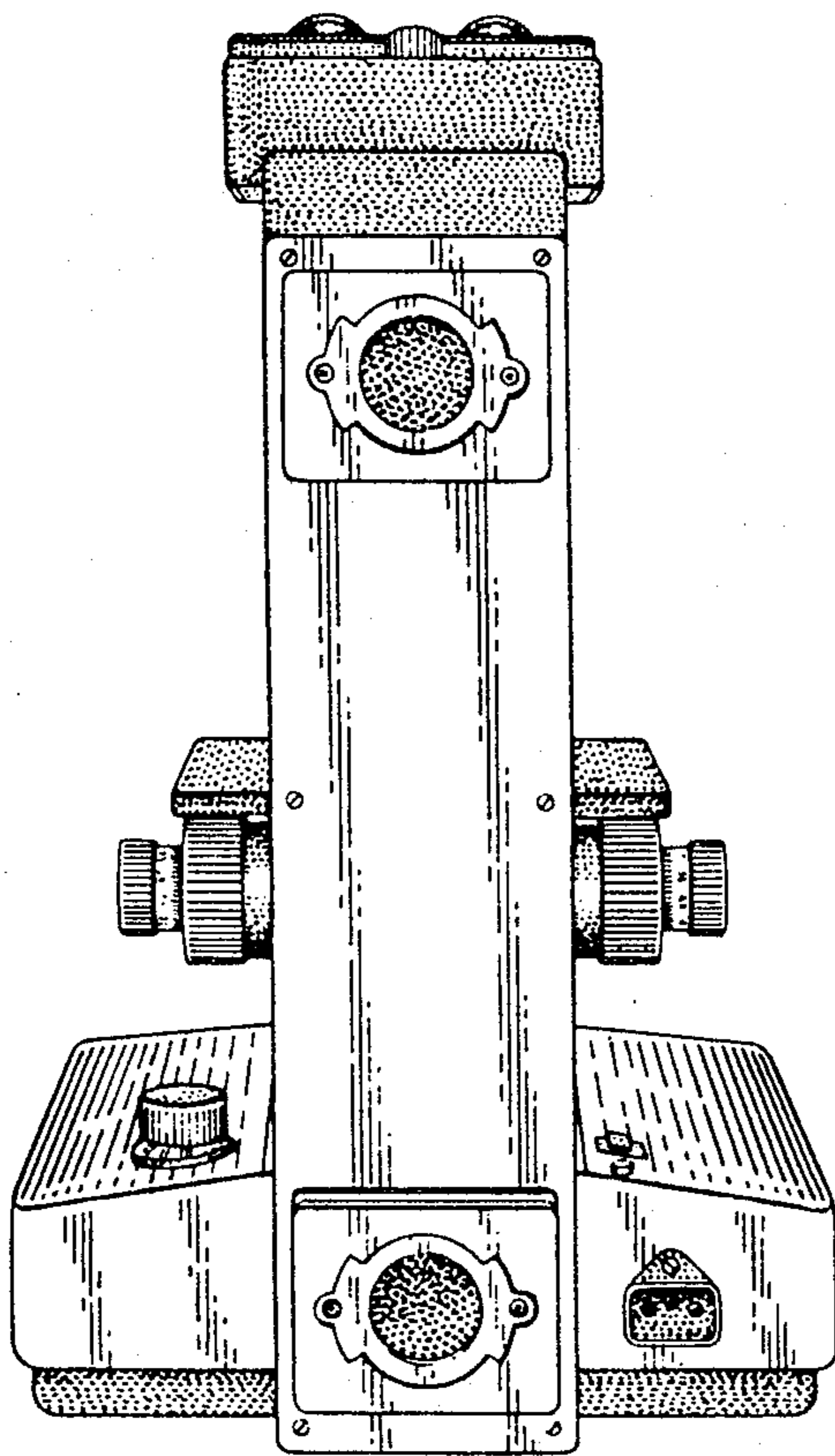


Fig. 3

