

[54] CARTRIDGE FOR SENSITIVE PHOTOGRAPHIC FILMS

[75] Inventor: Claude Thebault, Meylan, France

[73] Assignee: Kis France, Grenoble, France

[**] Term: 14 Years

[21] Appl. No.: 407,600

[22] Filed: Aug. 12, 1982

[30] Foreign Application Priority Data

Mar. 10, 1982 [FR] France 820831
[52] U.S. Cl. D16/37; D14/11
[58] Field of Search D16/10, 32, 33, 34,
D16/37; D14/11; 206/408; 242/71.1, 71.7,
55.53; 355/27-29, 32, 103, 123, 72

[56] References Cited

U.S. PATENT DOCUMENTS

D. 220,006 2/1971 Bakken D14/11 X\$
4,302,102 11/1981 Stark 206/408 X

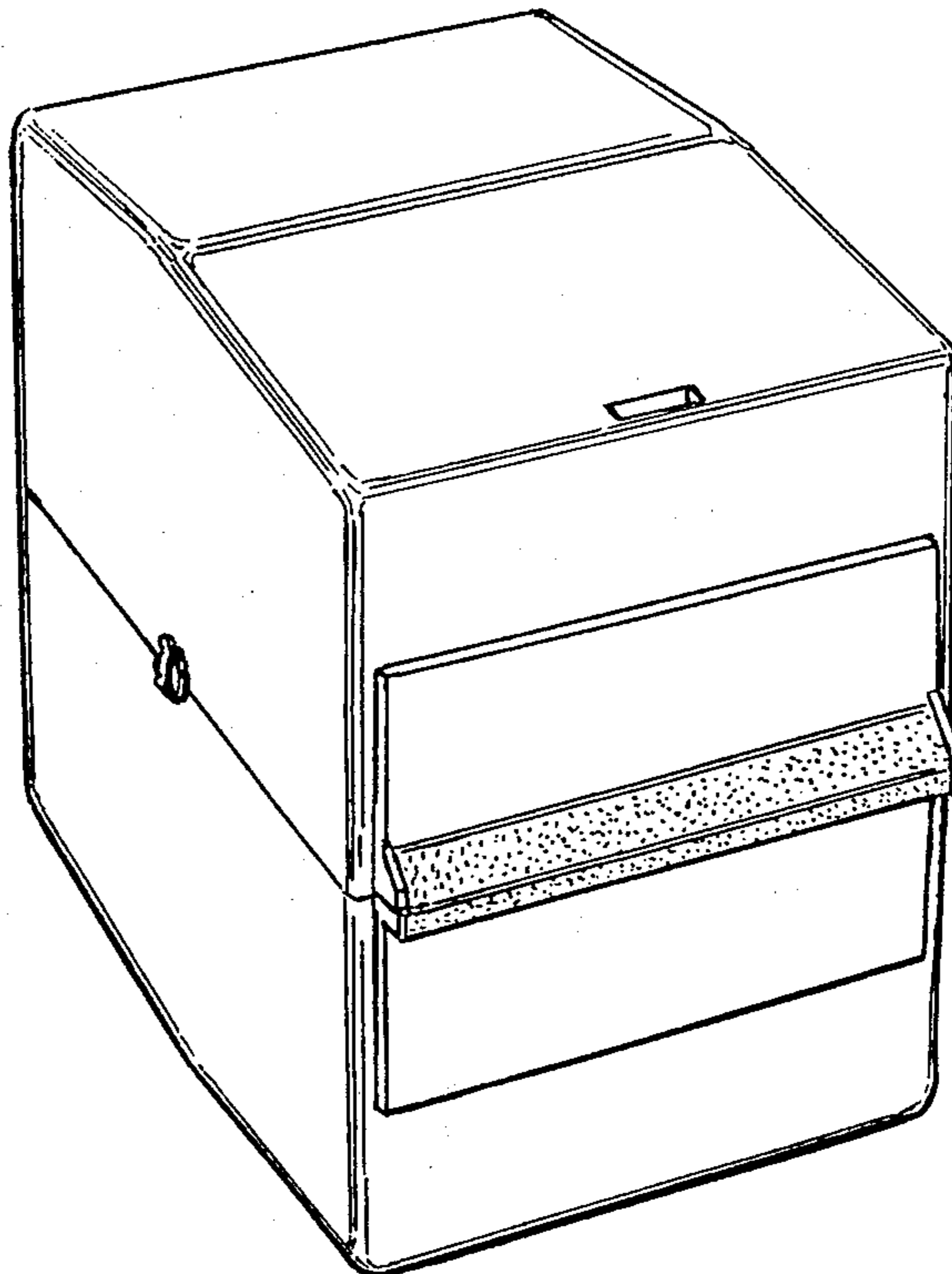
Primary Examiner—Nelson C. Holtje
Attorney, Agent, or Firm—Parkhurst & Oliff

[57] CLAIM

The ornamental design for a cartridge for sensitive photographic films, as shown and described.

DESCRIPTION

FIG. 1 is a top and left-front perspective view of a cartridge for sensitive photographic films showing my new design;
FIG. 2 is a right side elevational view thereof;
FIG. 3 is a rear elevational view thereof;
FIG. 4 is a top plan view thereof, the bottom plan view being substantially a mirror image thereto.



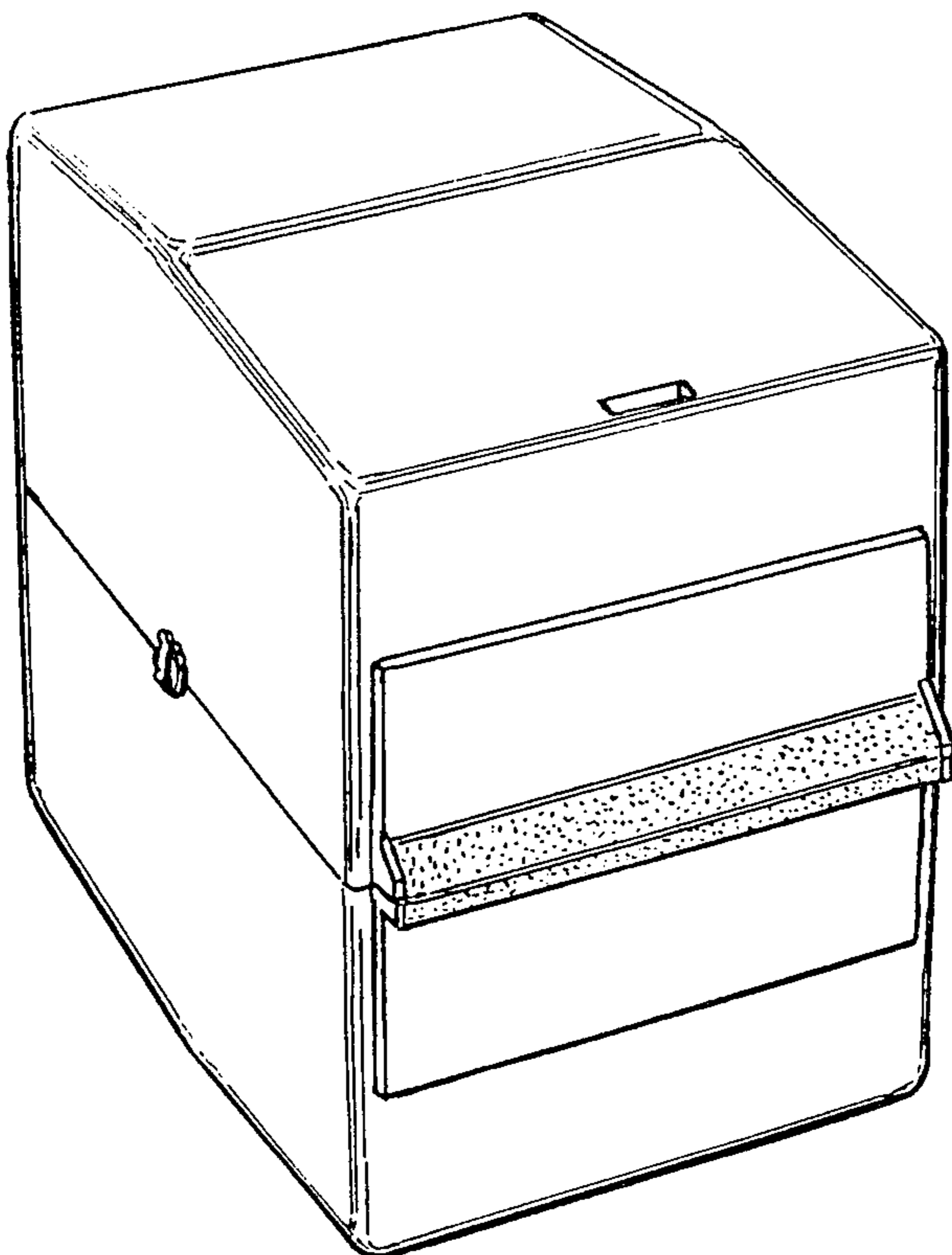


Fig. 1

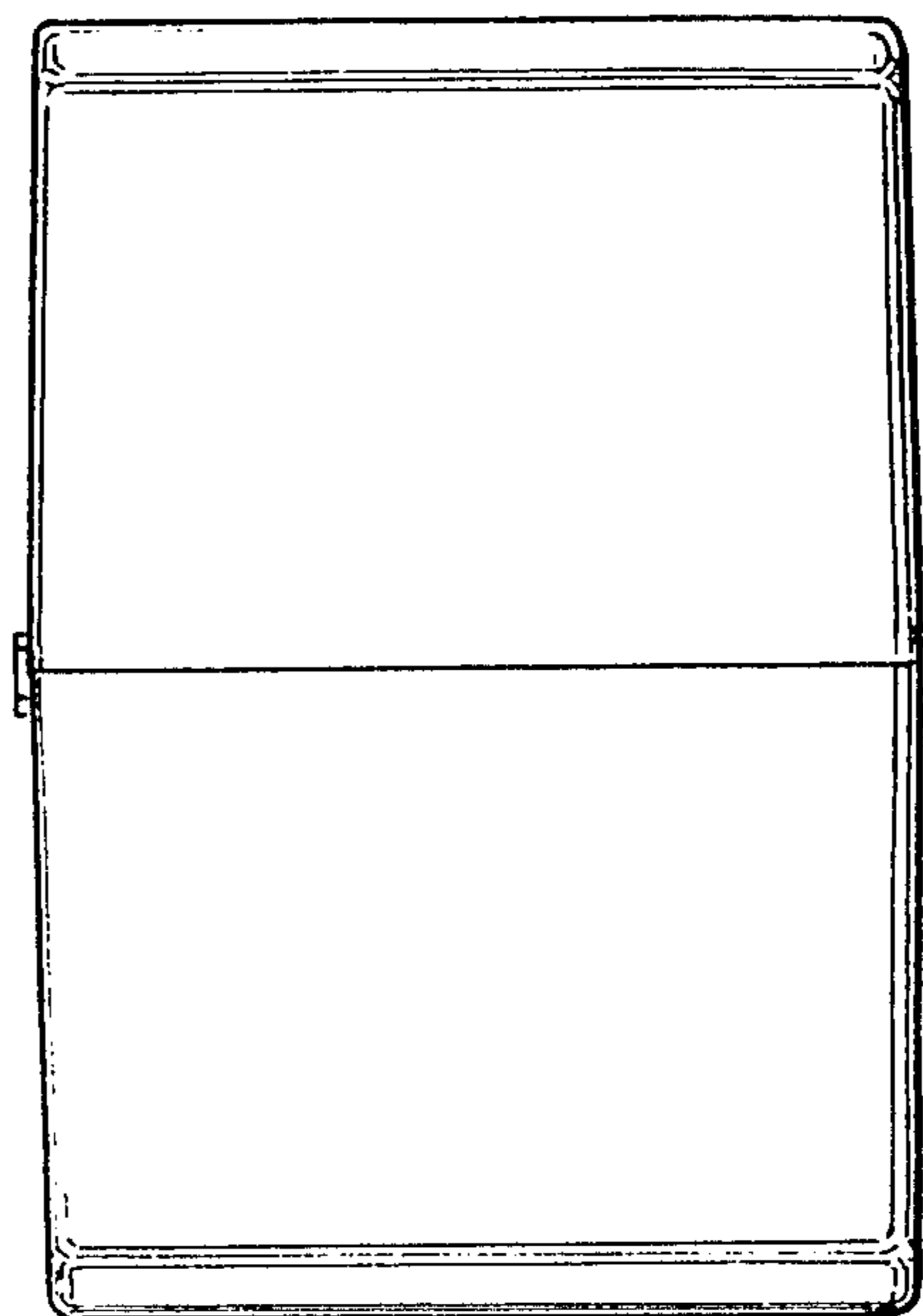


Fig. 3

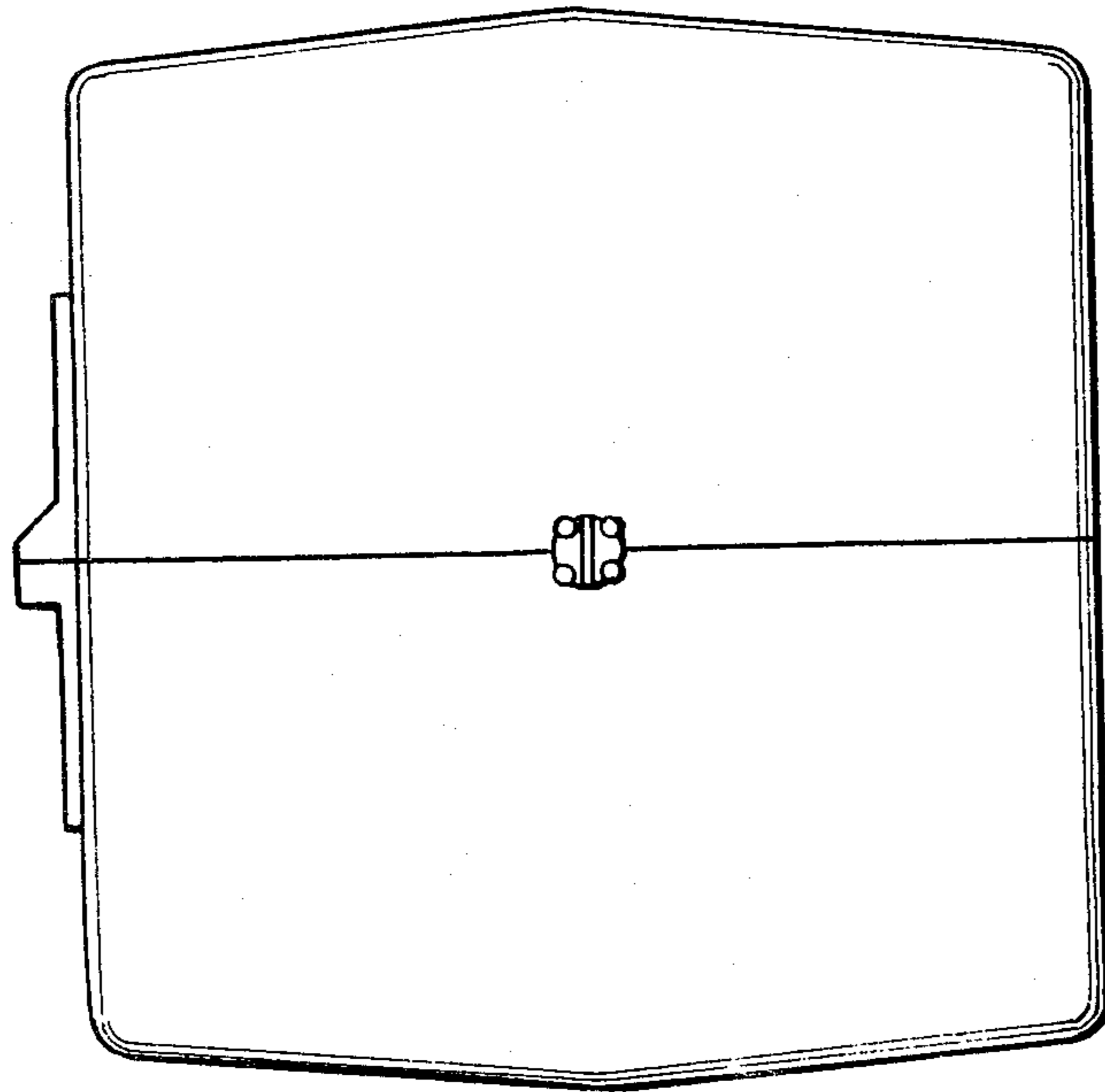


Fig. 2

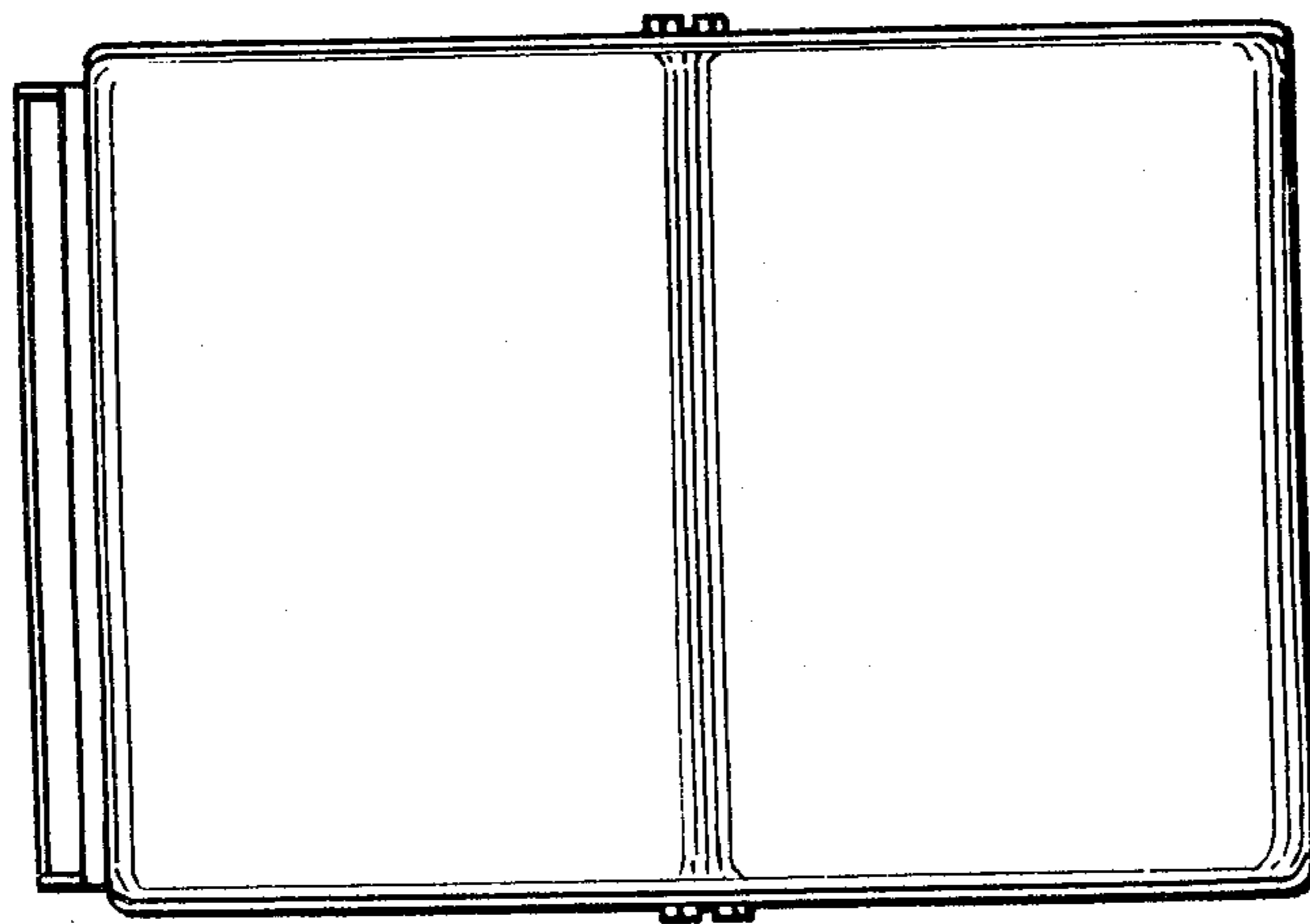


Fig. 4