

United States Patent [19]

Yoneda

[11] Patent Number: Des. 276,345

[45] Date of Patent: ** Nov. 13, 1984

[54] SEWING MACHINE

[76] Inventor: Yoshihide Yoneda, 7-401, 53,
Taguchiyama 1-chome, Hirakata-shi,
Osaka, Japan

[**] Term: 14 Years

[21] Appl. No.: 333,188

[22] Filed: Dec. 21, 1981

[30] Foreign Application Priority Data

Dec. 9, 1981 [JP] Japan 56-54388

[52] U.S. Cl. D15/70

[58] Field of Search D15/66, 68, 69, 70,
D15/72; 112/258, 259, 63

[56] References Cited

U.S. PATENT DOCUMENTS

D. 217,307 4/1970 Grange D15/69
D. 250,649 12/1978 Hirano D15/70
D. 253,347 11/1979 Felix D15/70
4,099,474 7/1978 Hamlett et al. 112/258

4,343,252 8/1982 Hanyu 112/258

OTHER PUBLICATIONS

Sears Fall & Winter 1981 p. 851; "Kenmore" Sewing
Machine top right of page.

Primary Examiner—Bernard Ansher
Assistant Examiner—Carmen H. Vales
Attorney, Agent, or Firm—Wenderoth, Lind & Ponack

[57] CLAIM

The ornamental design for a sewing machine, substan-
tially as shown and described.

DESCRIPTION

FIG. 1 is a front elevational view of a sewing machine
showing my new design;
FIG. 2 is a rear elevational view thereof;
FIG. 3 is a left side elevational view thereof;
FIG. 4 is a right side elevational view thereof;
FIG. 5 is a top plan view thereof;
FIG. 6 is a bottom plan view thereof; and
FIG. 7 is a perspective view thereof.

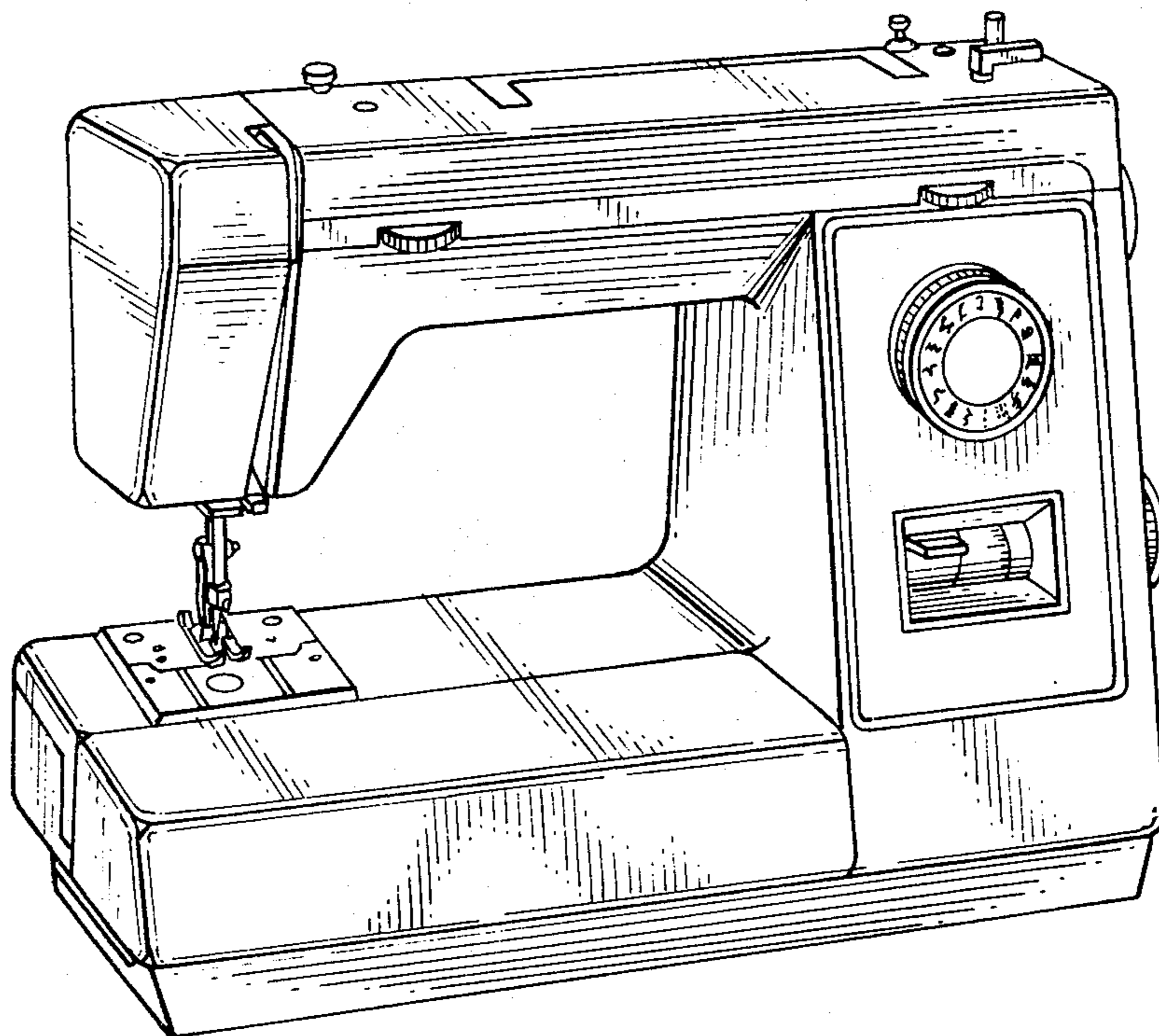


FIG. 1.

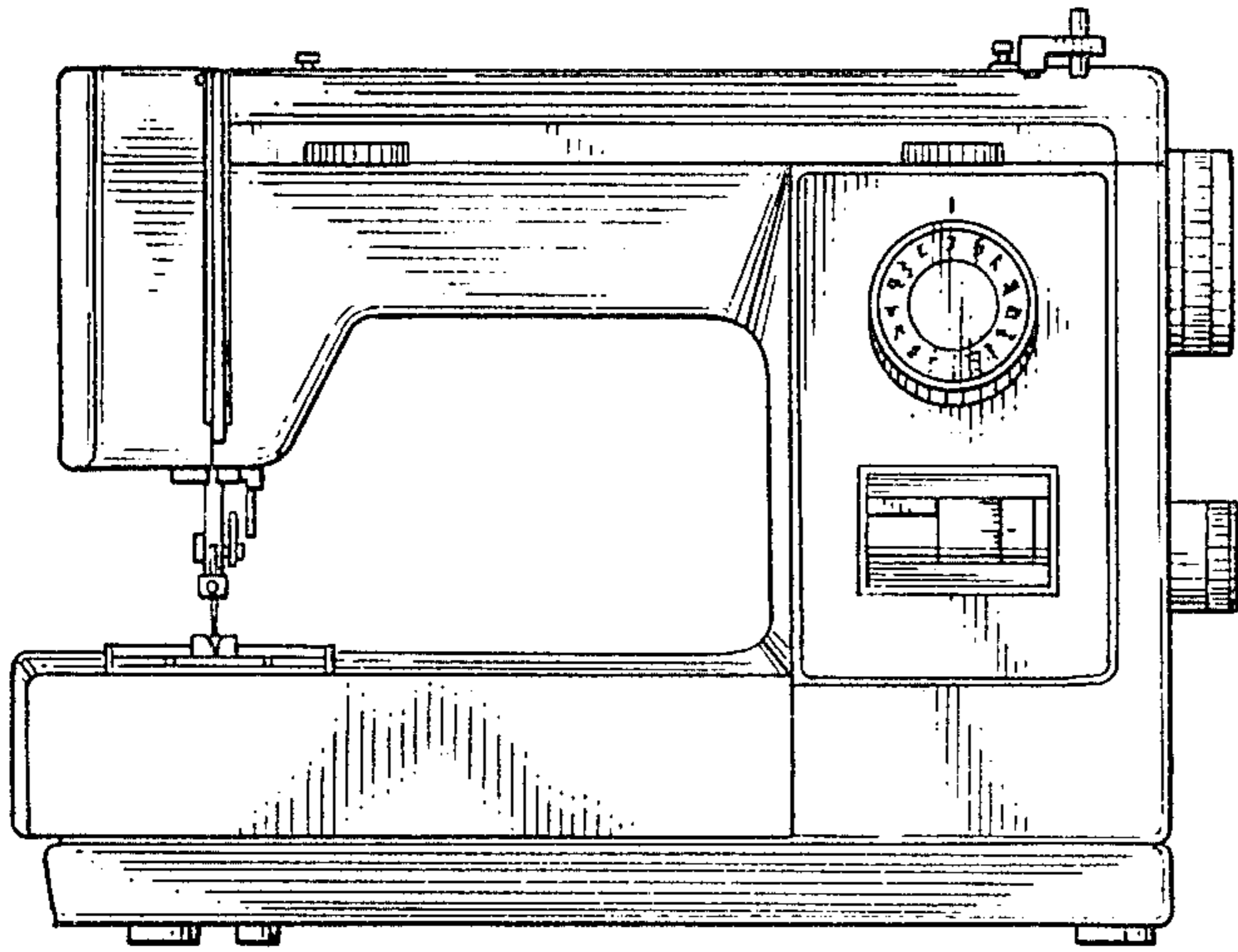


FIG. 3.

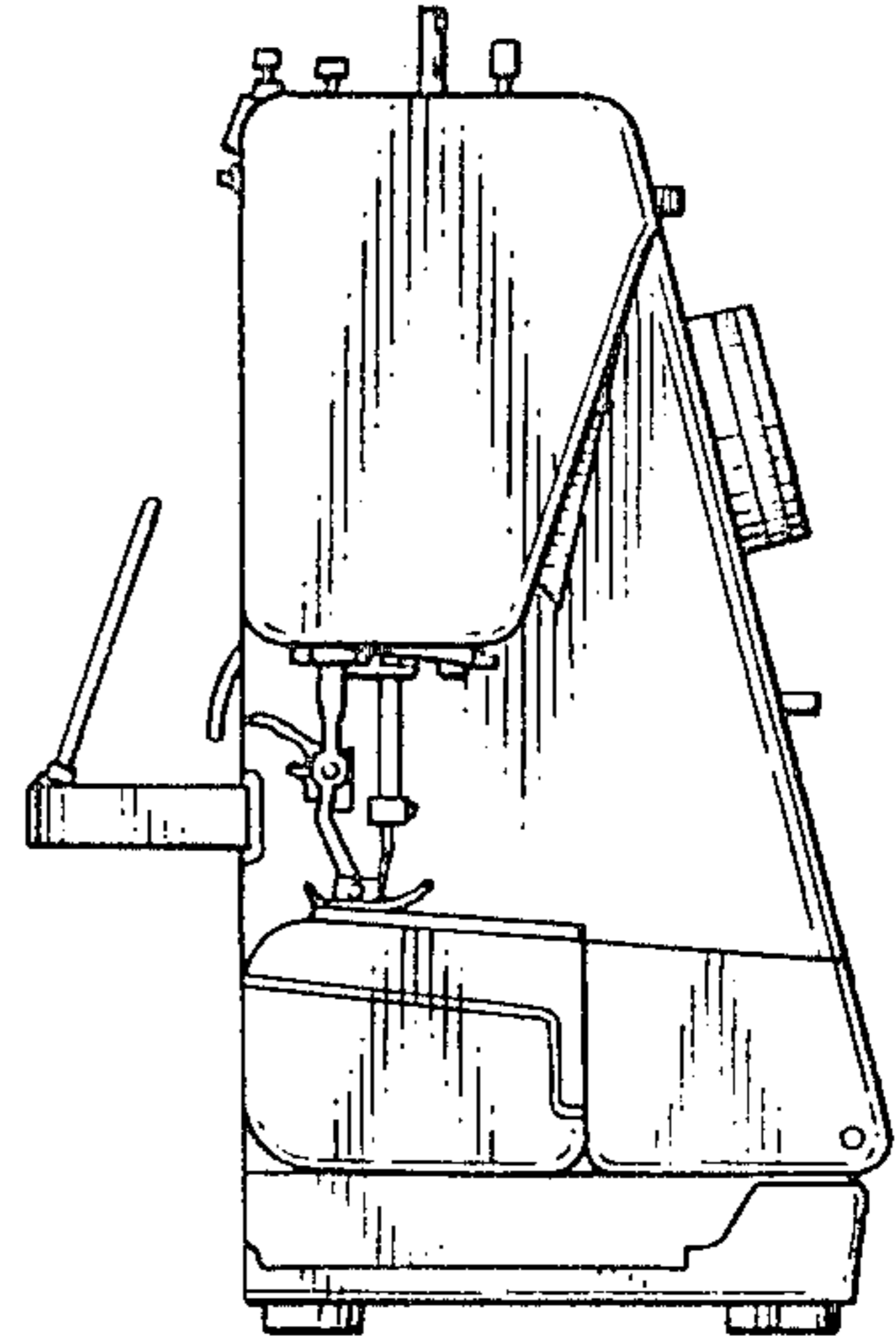


FIG. 2.

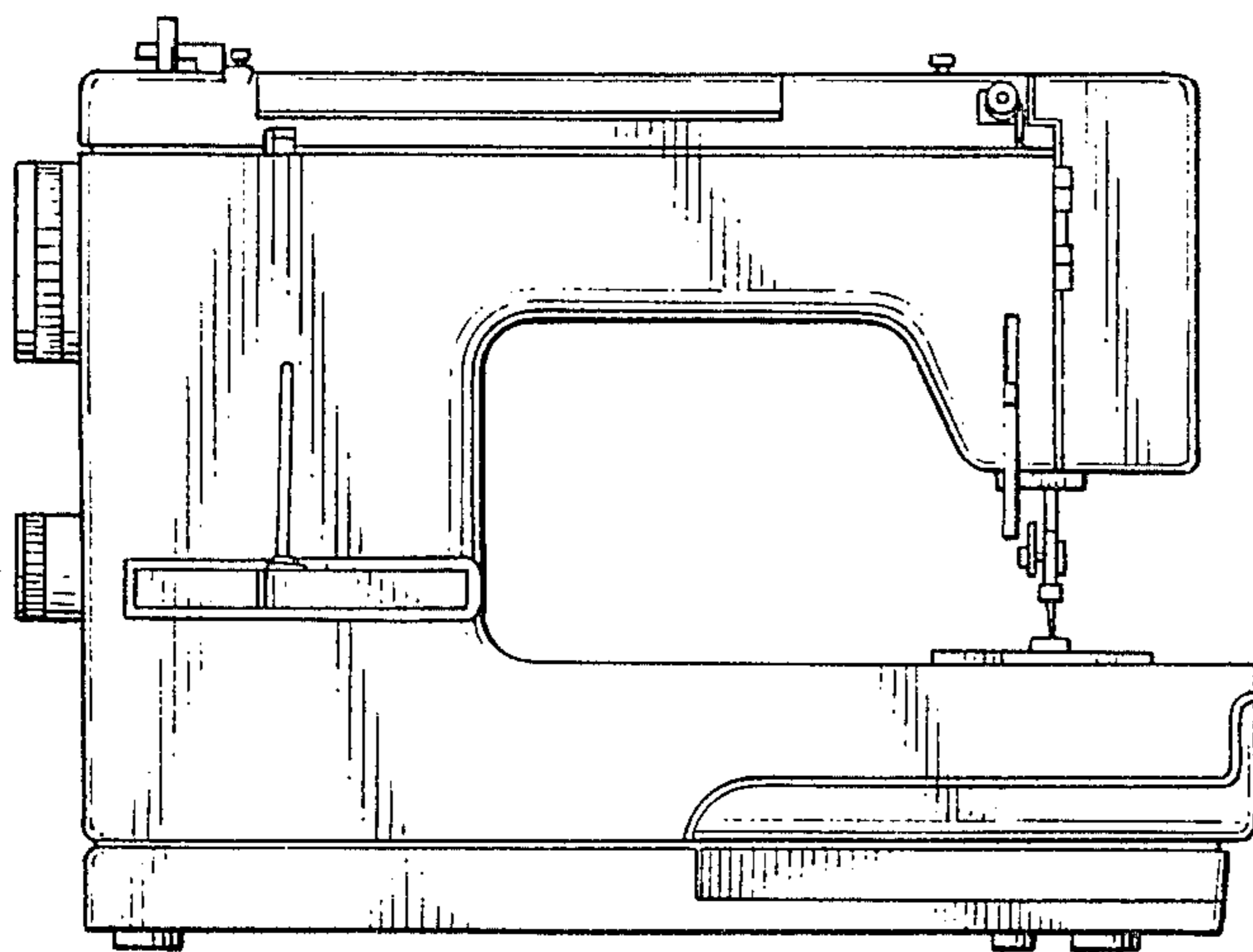


FIG. 4.

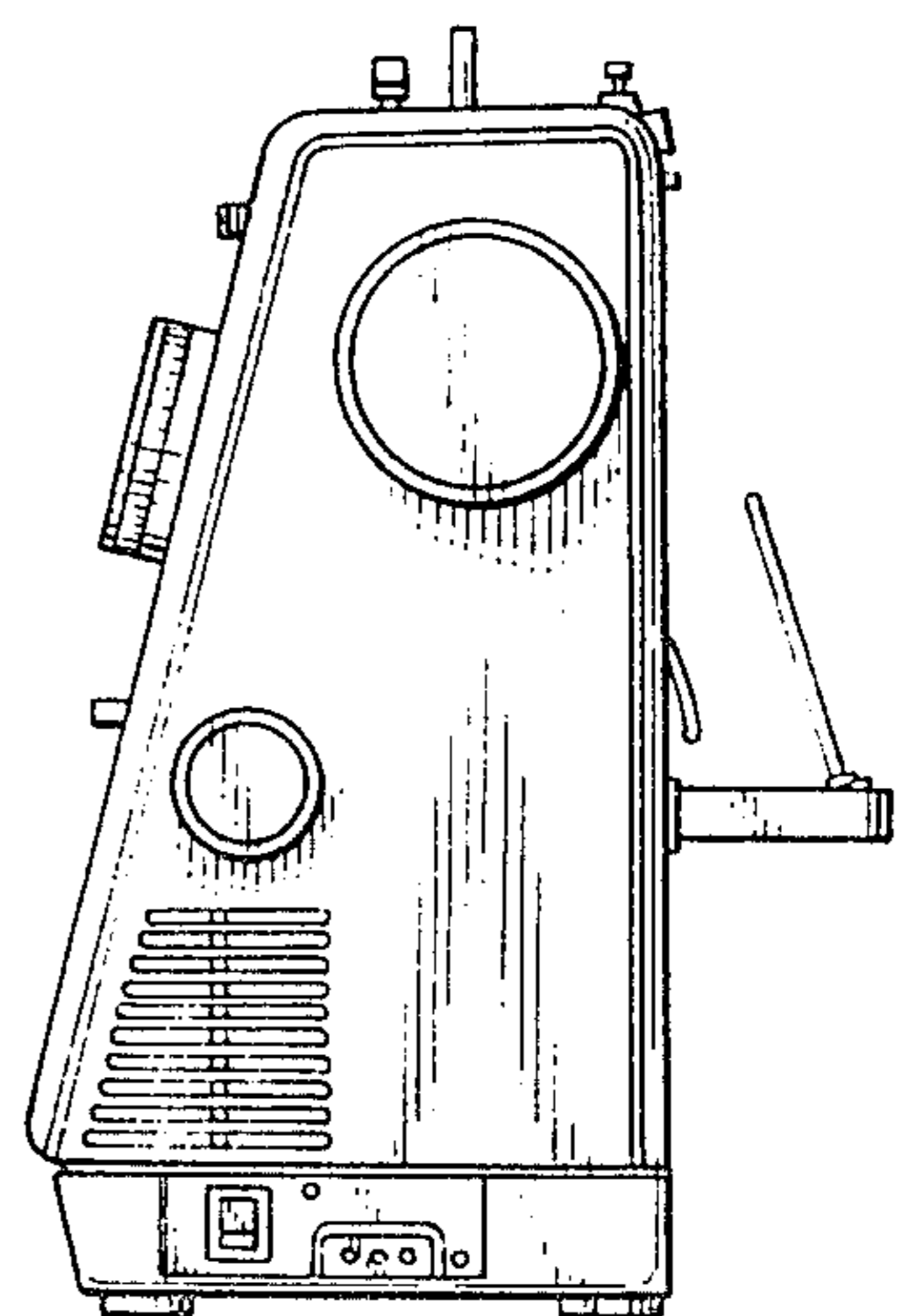


FIG. 5.

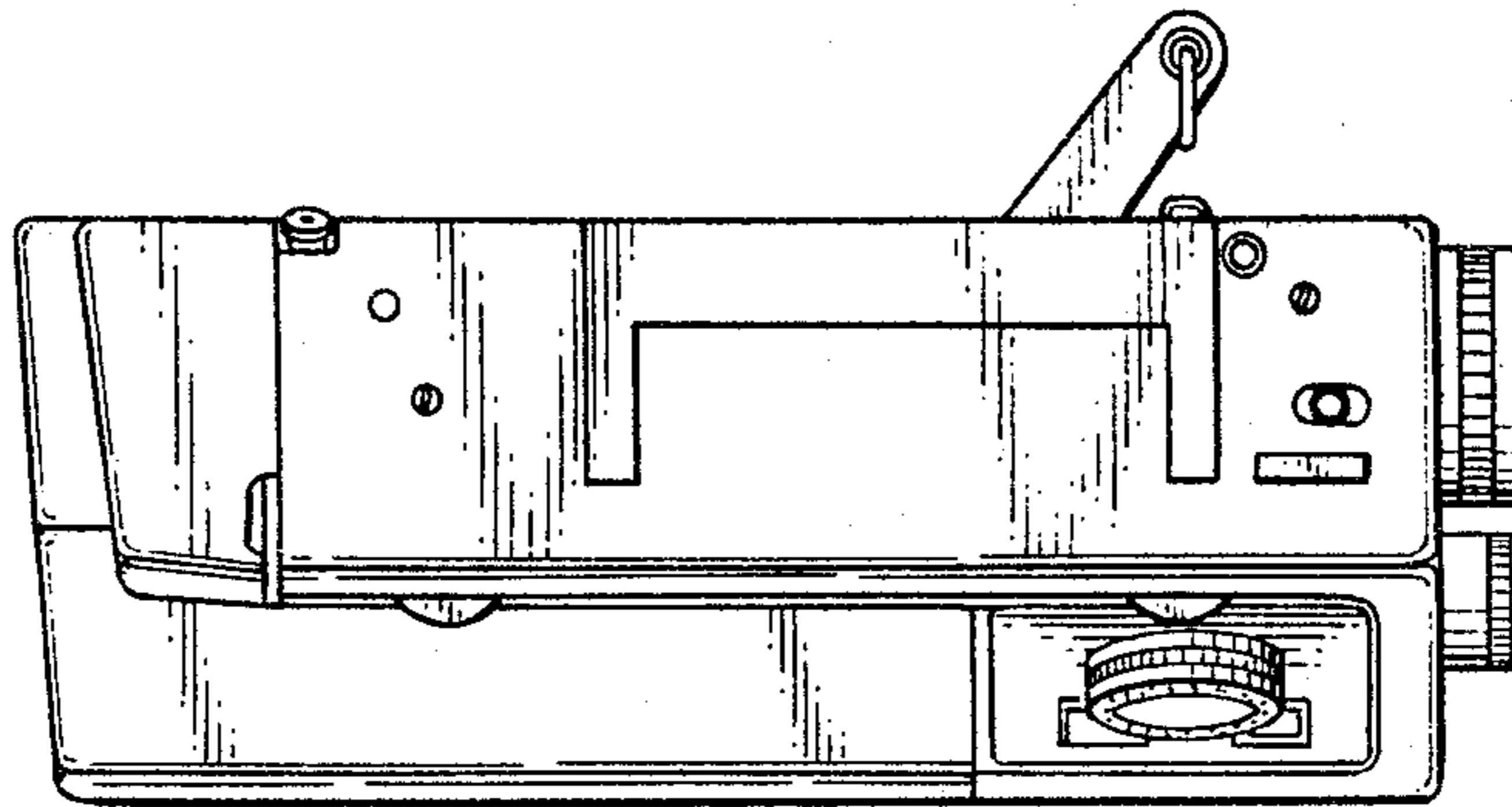


FIG. 6.

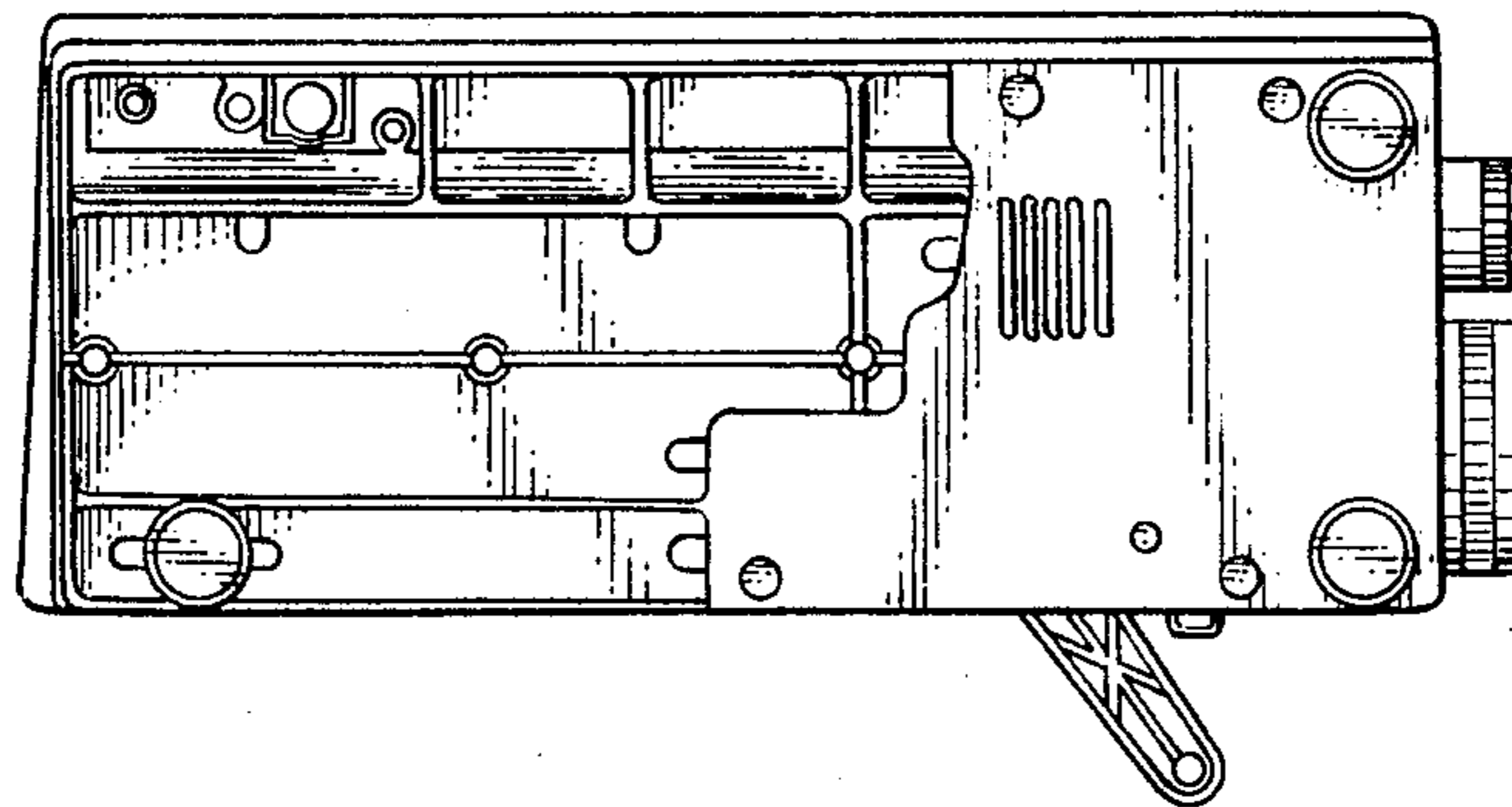


FIG. 7.

