

[54] FACSIMILE TRANSCIEVER

[75] Inventors: Akitaka Takeuchi, Kodaira; Takeshi Abe, Tokyo; Hiroshi Endou, Yokohama, all of Japan

[73] Assignee: Hitachi, Ltd., Tokyo, Japan

[**] Term: 14 Years

[21] Appl. No.: 379,262

[22] Filed: May 17, 1982

[30] Foreign Application Priority Data

Nov. 24, 1981 [JP] Japan 56-51678

[52] U.S. Cl. D14/94

[58] Field of Search D14/94; D16/30, 31; 358/256, 286

[56]

References Cited

U.S. PATENT DOCUMENTS

D. 258,964	4/1981	Bright et al.	D16/30
D. 263,708	4/1982	Matsumoto et al.	D14/94
D. 267,799	2/1983	Esaki et al.	D14/94
D. 267,877	2/1983	Reese	D14/94
D. 272,625	2/1984	Suzuki et al.	D14/94

Primary Examiner—Jane E. Corrigan
Attorney, Agent, or Firm—Antonelli, Terry & Wands

[57]

CLAIM

The ornamental design for a facsimile transceiver, as shown.

DESCRIPTION

FIG. 1 is a front, top and right side perspective view of a facsimile transceiver showing our new design; FIG. 2 is a front elevational view thereof; FIG. 3 is a rear elevational view thereof; FIG. 4 is a top plan view thereof; FIG. 5 is a right side elevational view thereof; FIG. 6 is a left side elevational view thereof; and FIG. 7 is a bottom plan view thereof.

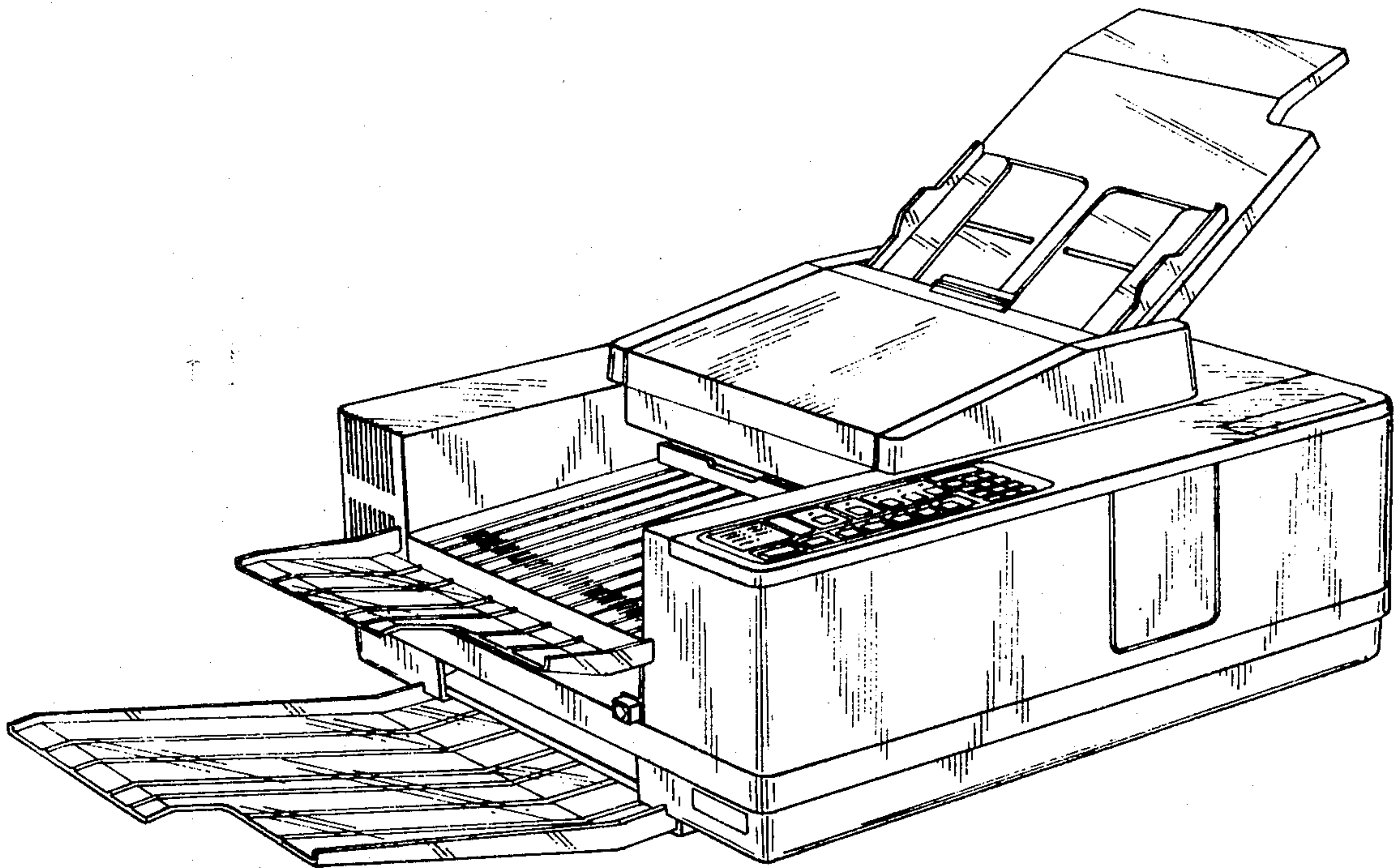


FIG. 1

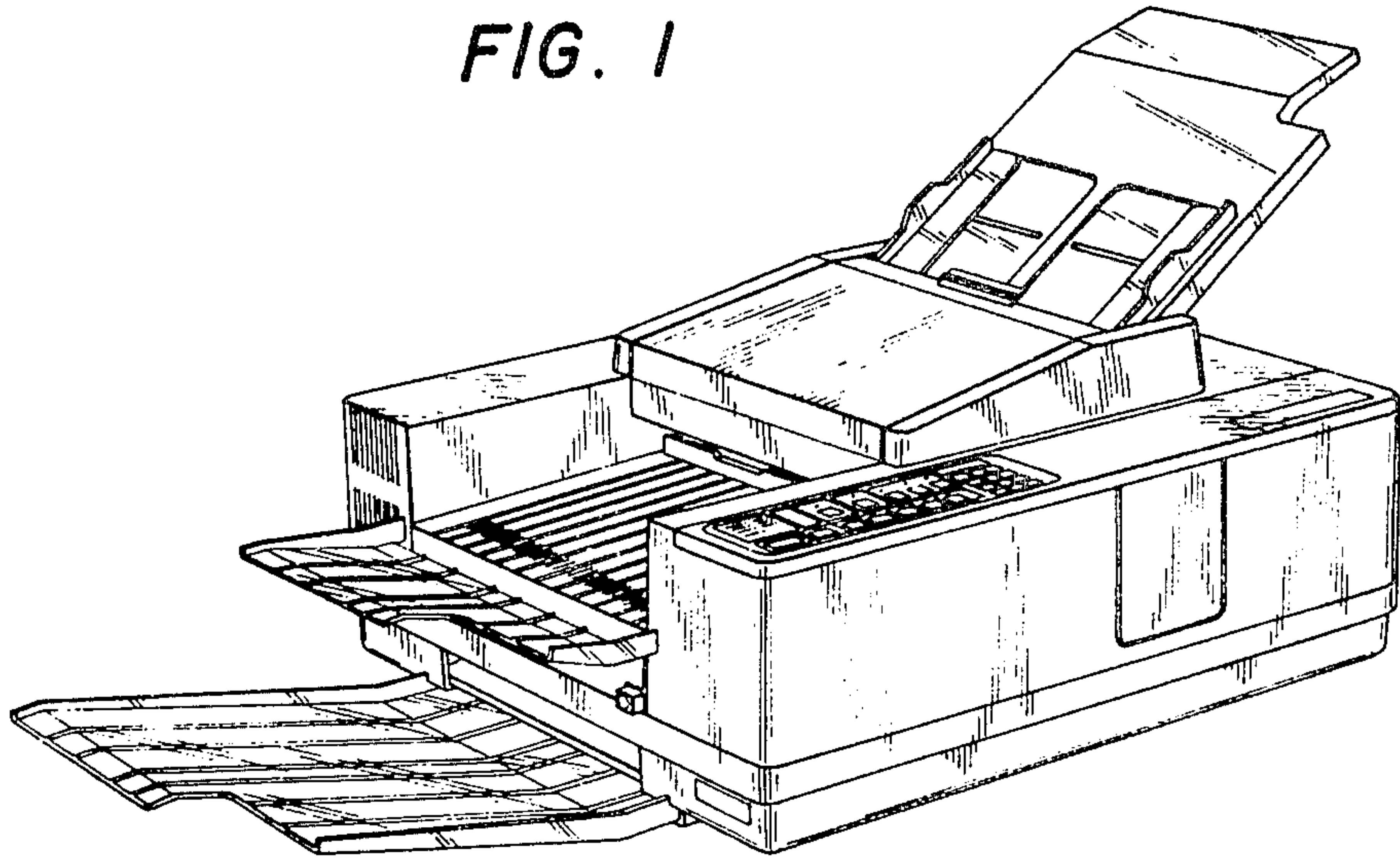


FIG. 2

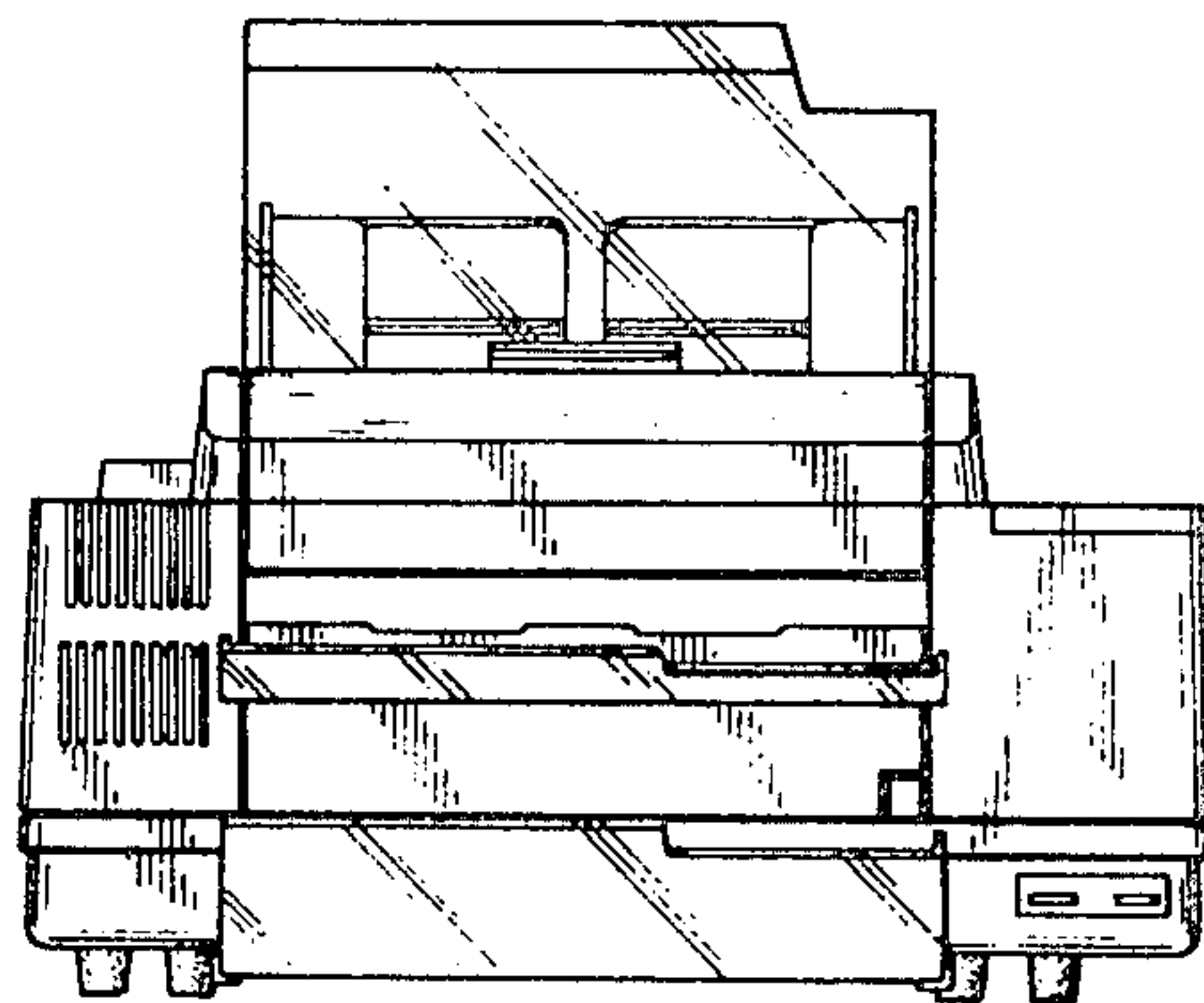


FIG. 3

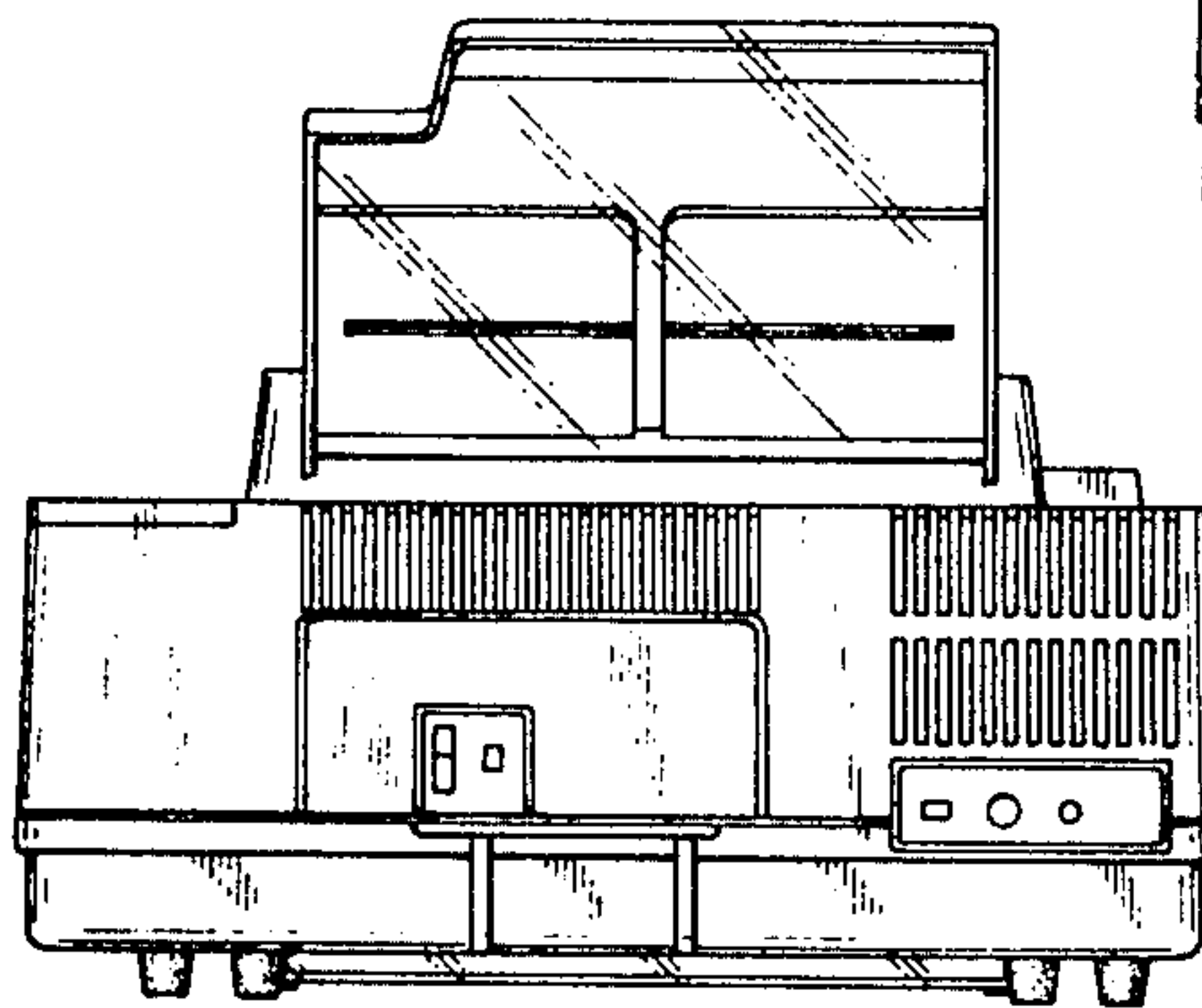


FIG. 4

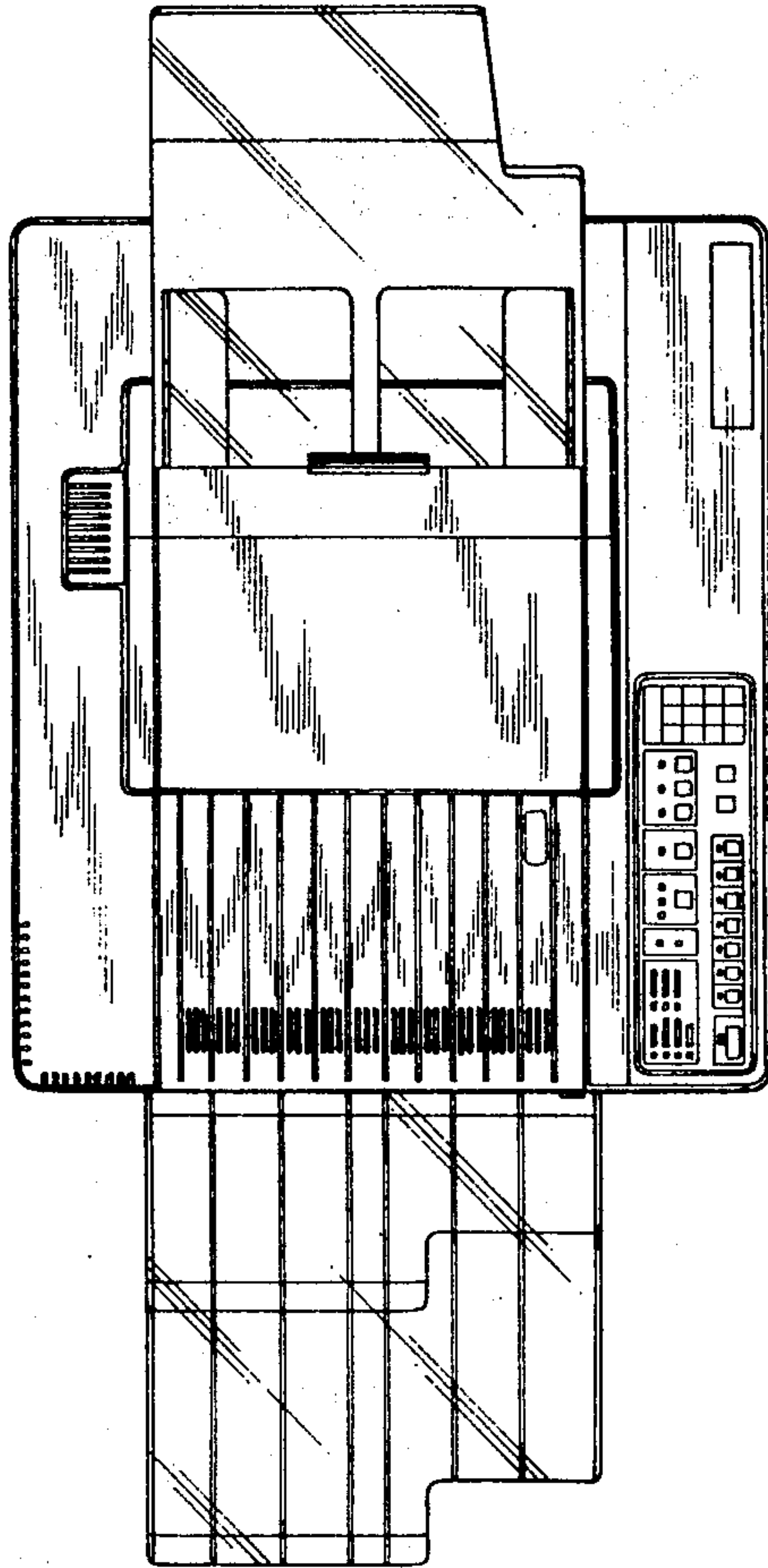


FIG. 5

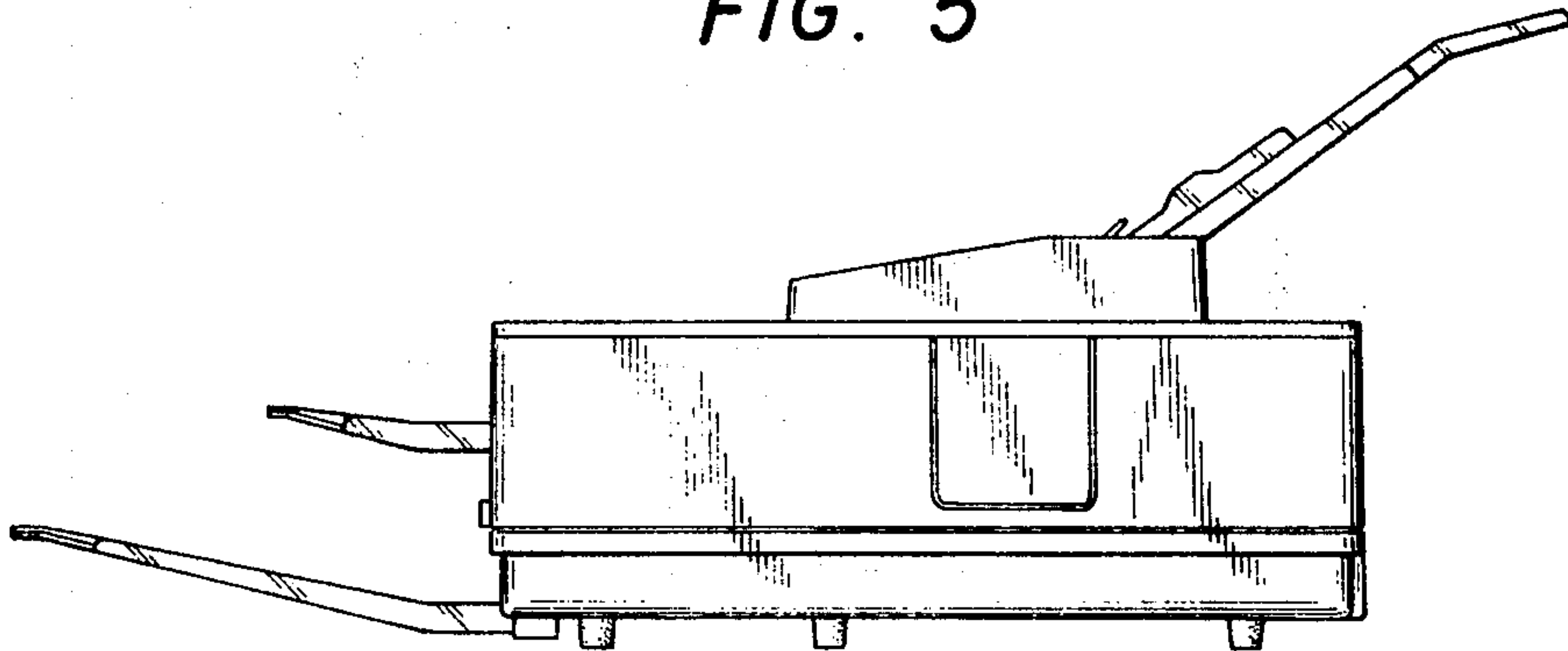


FIG. 6

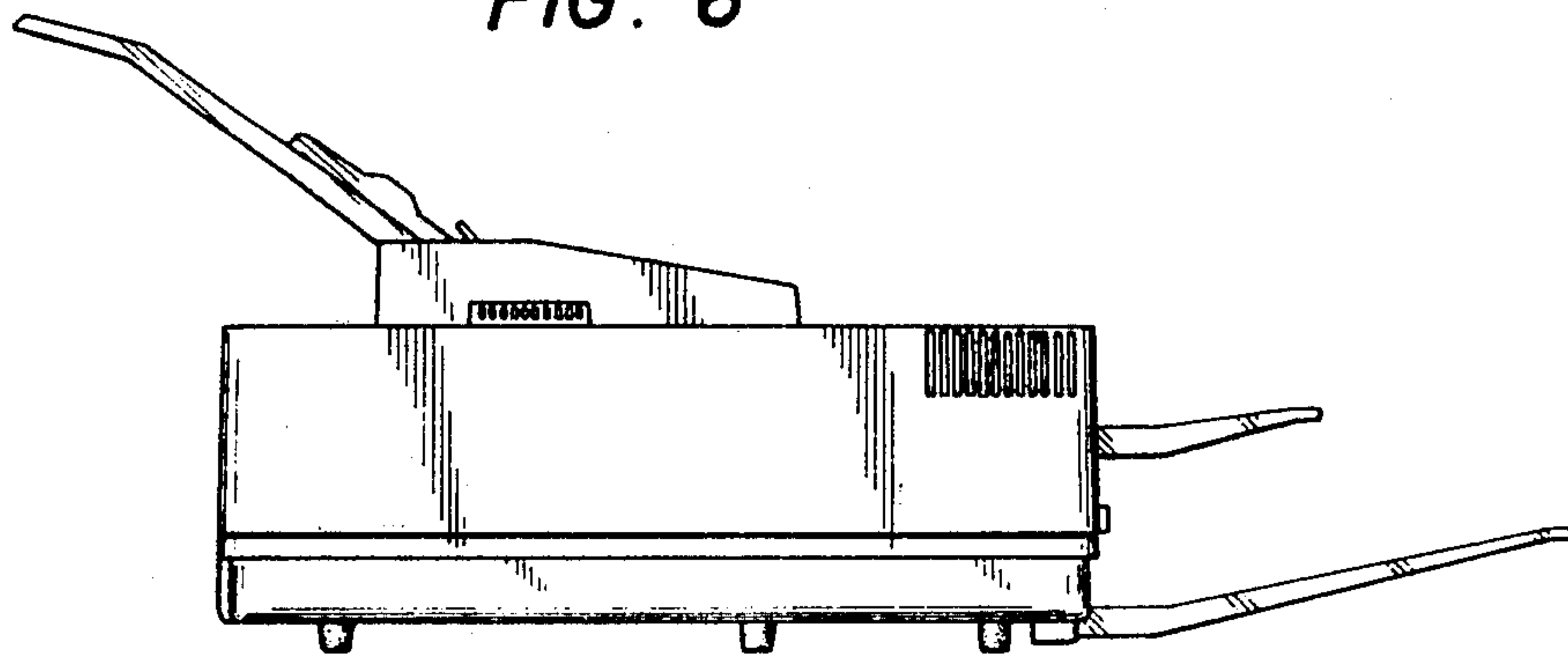


FIG. 7

