

[54] MULTI-PURPOSE SQUARE

[76] Inventor: Gregory L. Weeks, 2708 Edwards St., Granite City, Ill. 62040

[**] Term: 14 Years

[21] Appl. No.: 393,756

[22] Filed: Jun. 30, 1982

[52] U.S. Cl. D10/62

[58] Field of Search D10/61, 62, 65, 69; 33/418, 419, 424, 425, 427, 429, 451, 480

[56] References Cited

U.S. PATENT DOCUMENTS

- D. 213,643 3/1969 Gutowski D10/62
- D. 224,044 6/1972 Carter D10/62

- D. 233,695 11/1974 Payne D10/62 X
- 2,570,356 10/1951 Luis 33/424
- 2,728,990 1/1956 Murch 33/424
- 3,513,558 5/1970 Kuchta 33/429 X
- 4,380,872 4/1983 Moran 33/427 X

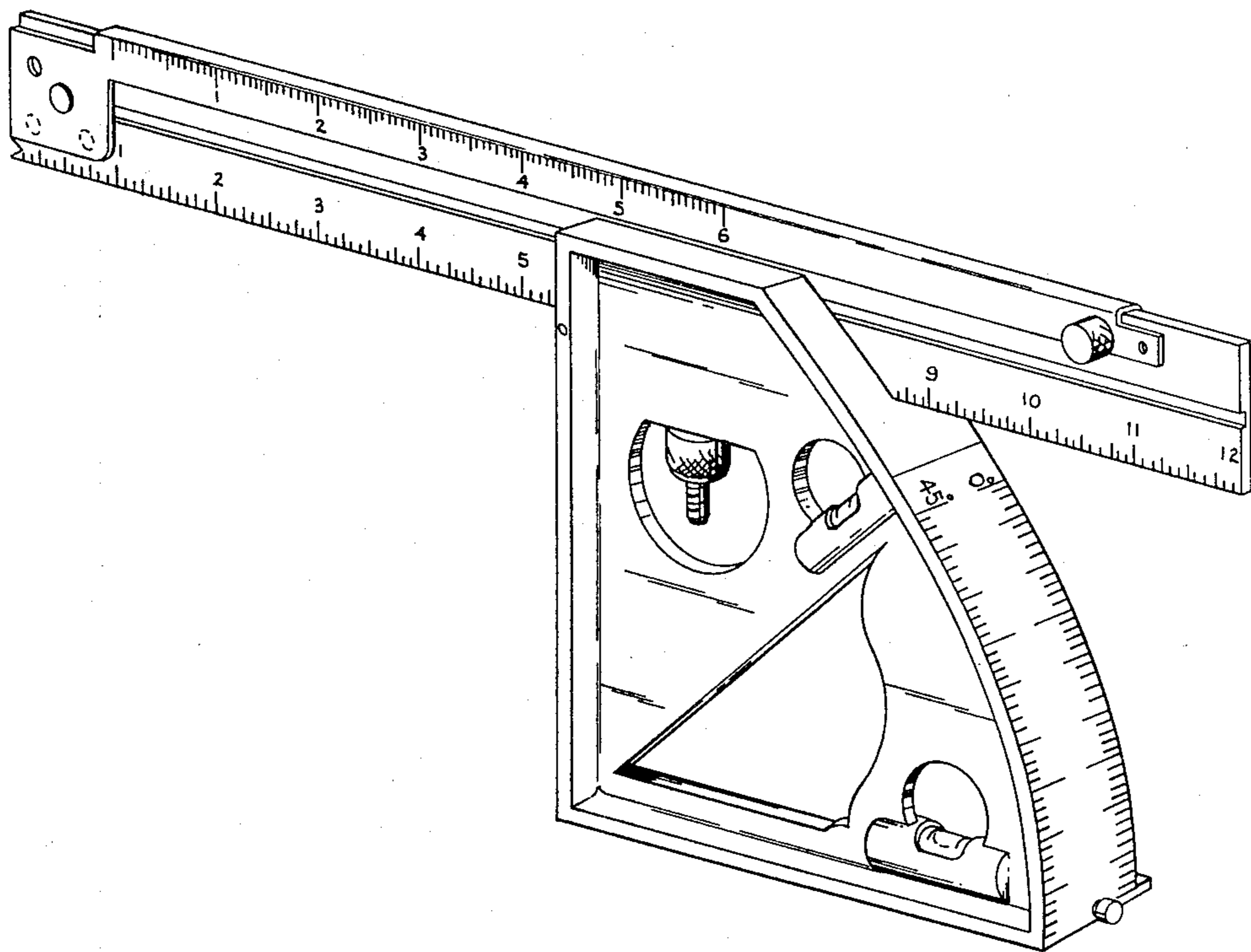
Primary Examiner—Nelson C. Holtje
Attorney, Agent, or Firm—Cohn, Powell & Hind

[57] CLAIM

The ornamental design for a multi-purpose square, as shown.

DESCRIPTION

FIG. 1 is a right front perspective view of a multi-purpose square showing my new design with the rule folded;
FIG. 2 is a top and left rear perspective view thereof with the rule fully extended.



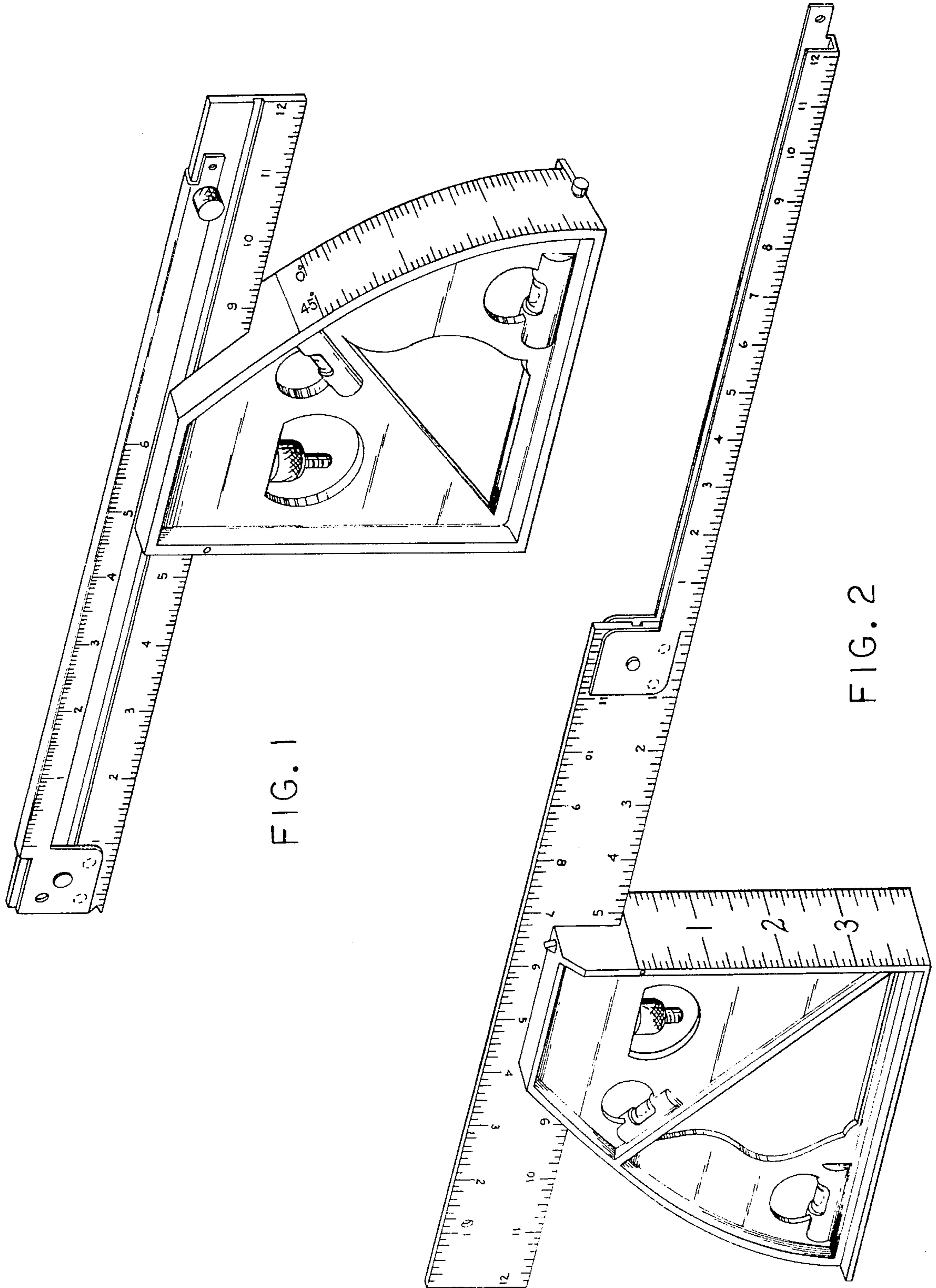


FIG. 1

FIG. 2