

[54] CLOCK OR THE LIKE

[76] Inventor: Mark A. Walch, 500 N. Roosevelt Blvd., Falls Church, Va. 22044

[**] Term: 14 Years

[21] Appl. No.: 381,902

[22] Filed: May 25, 1982

[52] U.S. Cl. D10/25

[58] Field of Search D10/1, 24, 25, 26; 368/285, 276

[56] References Cited

U.S. PATENT DOCUMENTS

- D. 96,475 8/1935 Irelan D10/25 X
- D. 105,471 8/1937 Bruce D10/25
- D. 112,596 12/1938 Bruce D10/25
- D. 197,433 2/1964 Reinecke D10/25
- D. 209,844 1/1968 D'Ercoli D10/25
- D. 212,337 10/1968 Kretschmer D10/25
- D. 217,093 4/1970 Weinstein D10/25

- D. 224,747 9/1972 Daher D10/25 X
- D. 251,362 3/1979 Hamilton D10/25

OTHER PUBLICATIONS

Gift & Tableware, 10/78, p. 38, Clock "4" at right, center.

Primary Examiner—Nelson C. Holtje
Attorney, Agent, or Firm—Shapiro and Shapiro

[57] CLAIM

The ornamental design for a clock or the like, as shown and described.

DESCRIPTION

FIG. 1 is a top and left-front perspective view of a clock or the like showing my new design;
FIG. 2 is a front elevational view thereof, the rear being flat, plain and unornamented;
FIG. 3 is a right side elevational view thereof.
The stippling in FIGS. 1-3 indicates contrasting surface treatments.

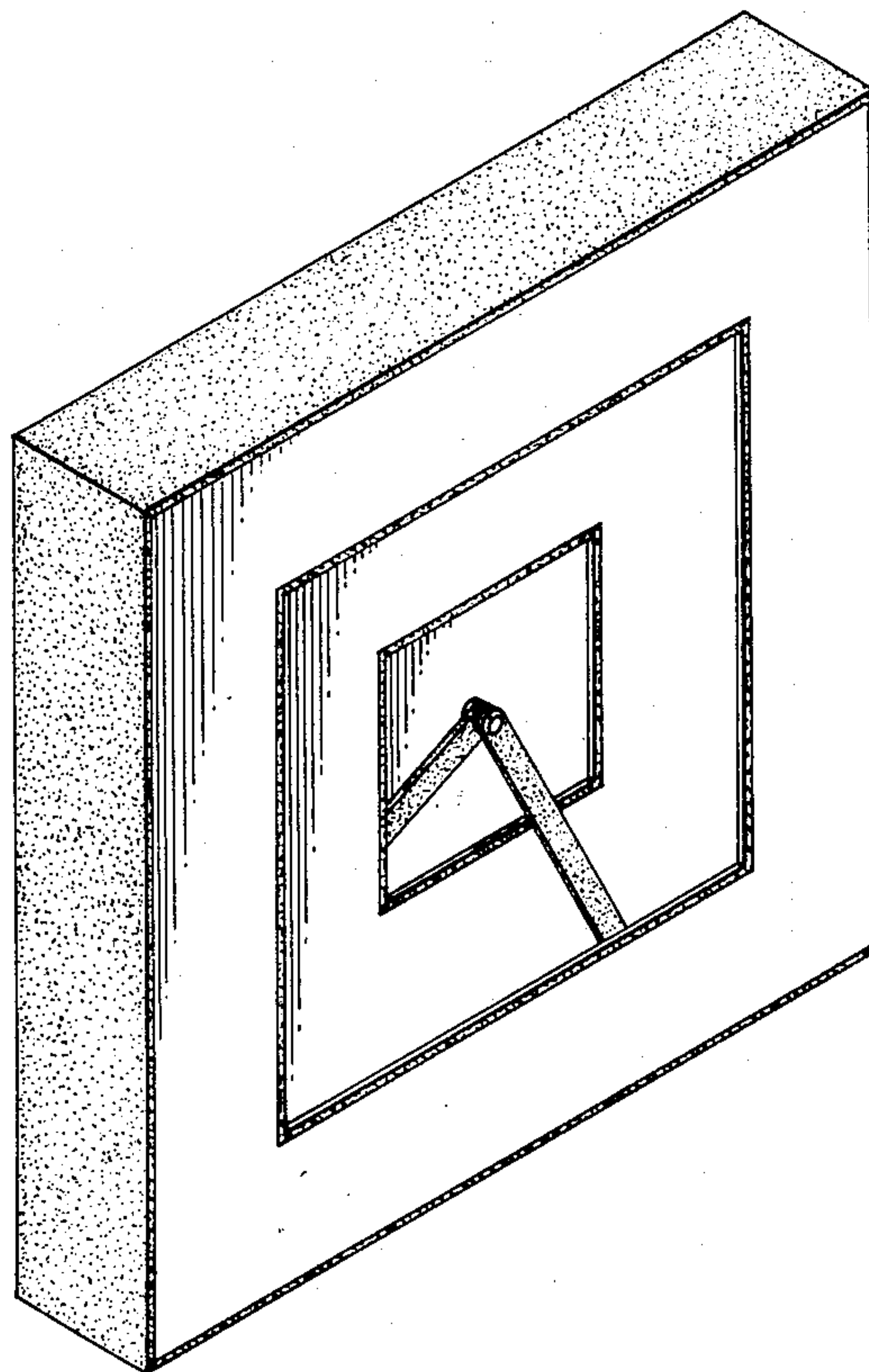


FIG. 1.

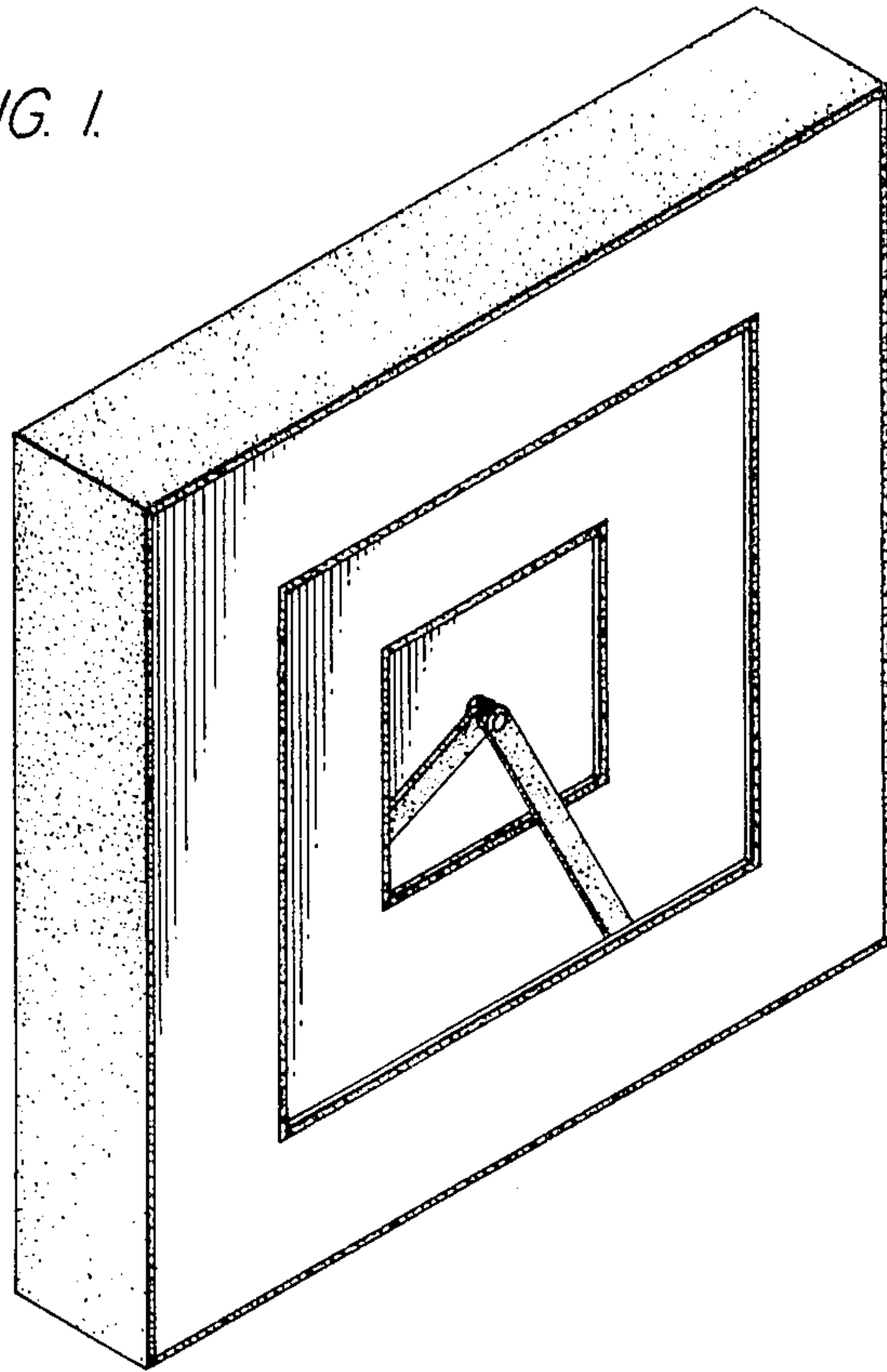


FIG. 2.

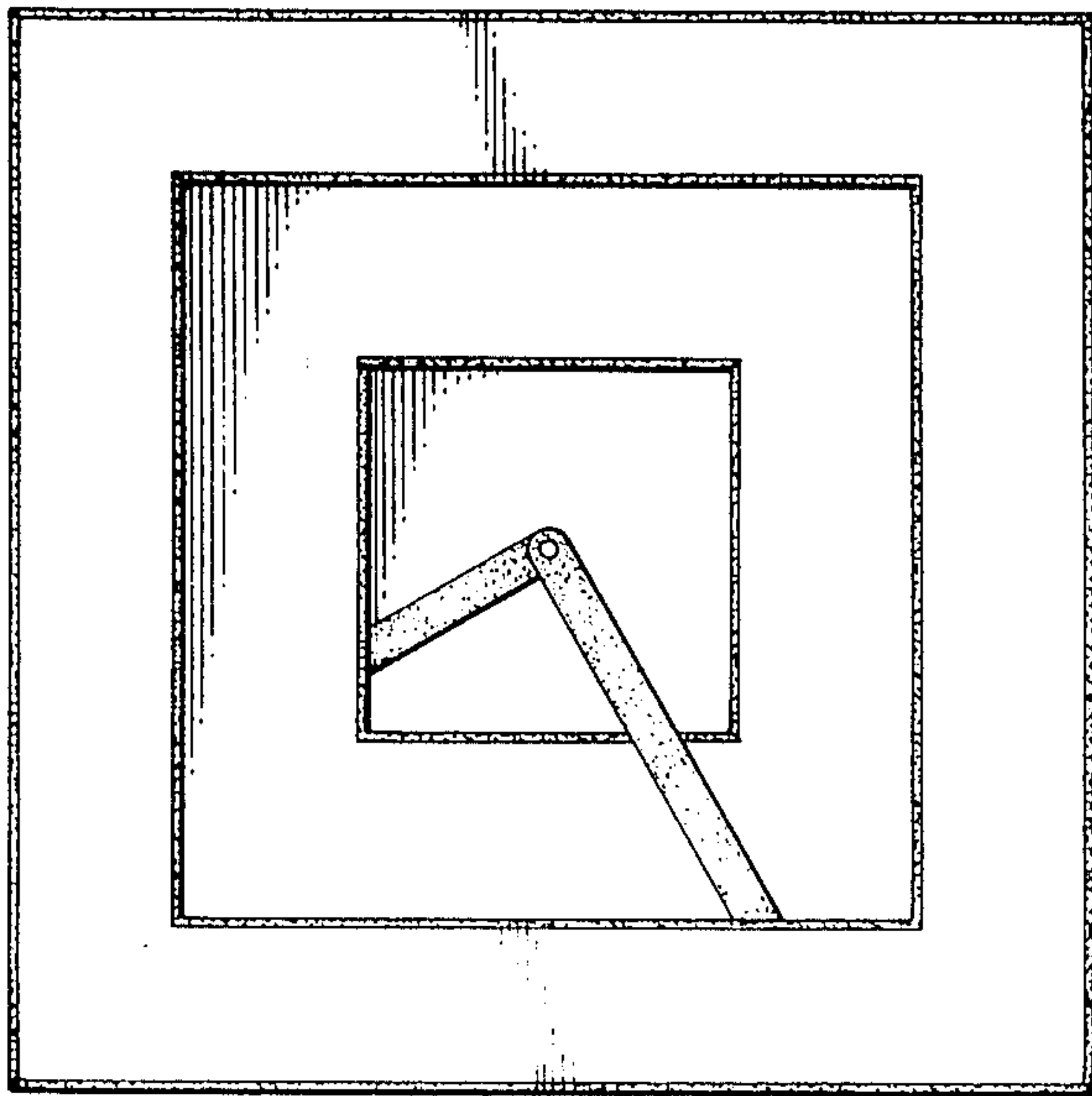


FIG. 3.

