

[54] MARKING SLEEVE PACKAGE

[75] Inventors: Göran Lööf, Gullspång; Lars Skarin, Otterbäcken, both of Sweden

[73] Assignee: Partex Fabriksaktiebolag, Gullspång, Sweden

[**] Term: 14 Years

[21] Appl. No.: 324,325

[22] Filed: Nov. 23, 1981

[30] Foreign Application Priority Data

May 25, 1981 [SE] Sweden 81-1239

[52] U.S. Cl. D9/337; D9/415

[58] Field of Search 206/389, 409, 408, 398, 206/460, 461, 462, 471; D9/337, 339, 415

[56] References Cited

U.S. PATENT DOCUMENTS

D. 205,549 8/1966 Wessen D9/415

D. 248,543	7/1978	Strelcheck	D9/415
3,313,194	4/1967	Hanscom	D9/415
3,403,869	10/1968	Marchisen et al.	206/409
4,249,658	2/1981	Oqura	206/409
4,339,035	7/1982	Marcus et al.	206/409 X

Primary Examiner—Robert C. Spangler
Attorney, Agent, or Firm—Sughrue, Mion, Zinn, Macpeak and Seas

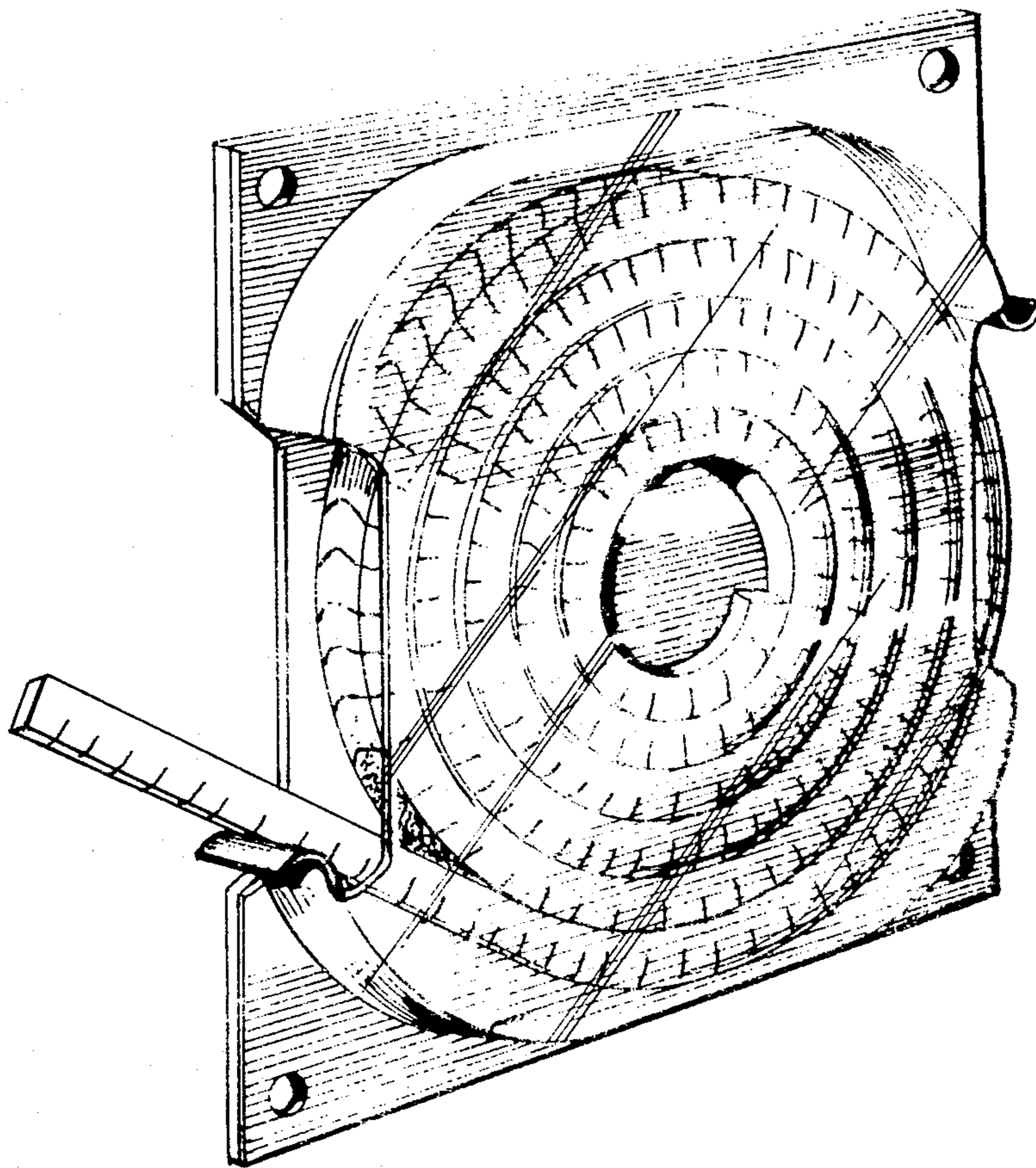
[57] CLAIM

The ornamental design for a marking sleeve package, as shown.

DESCRIPTION

FIG. 1 is a perspective view showing the front side of the package housing a spiral string of marking sleeves. The front portion of the package consists of a transparent material and has two openings for extraction of the string end;

FIG. 2 is a perspective view showing the rear side of the package.



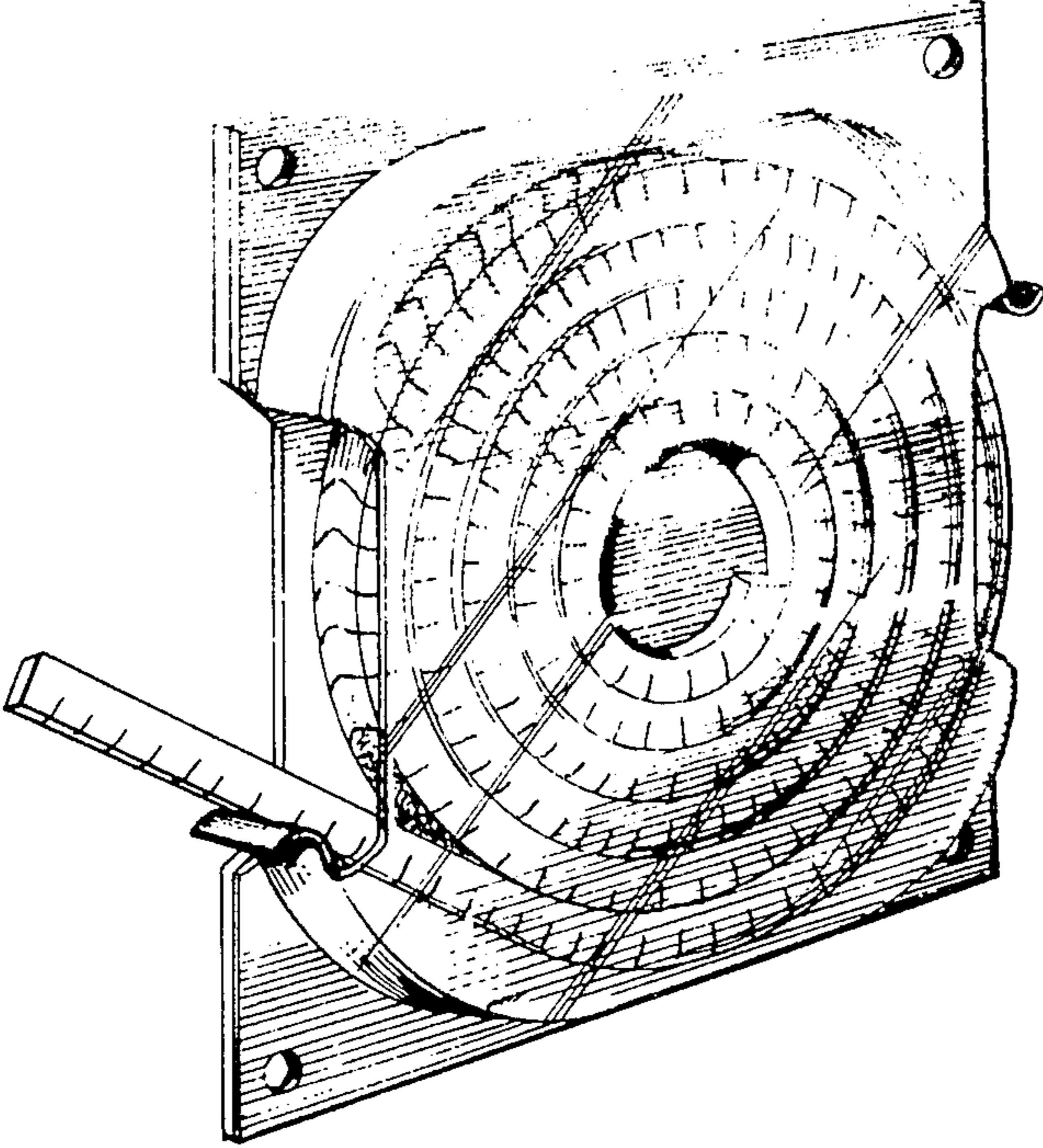


FIG. 1

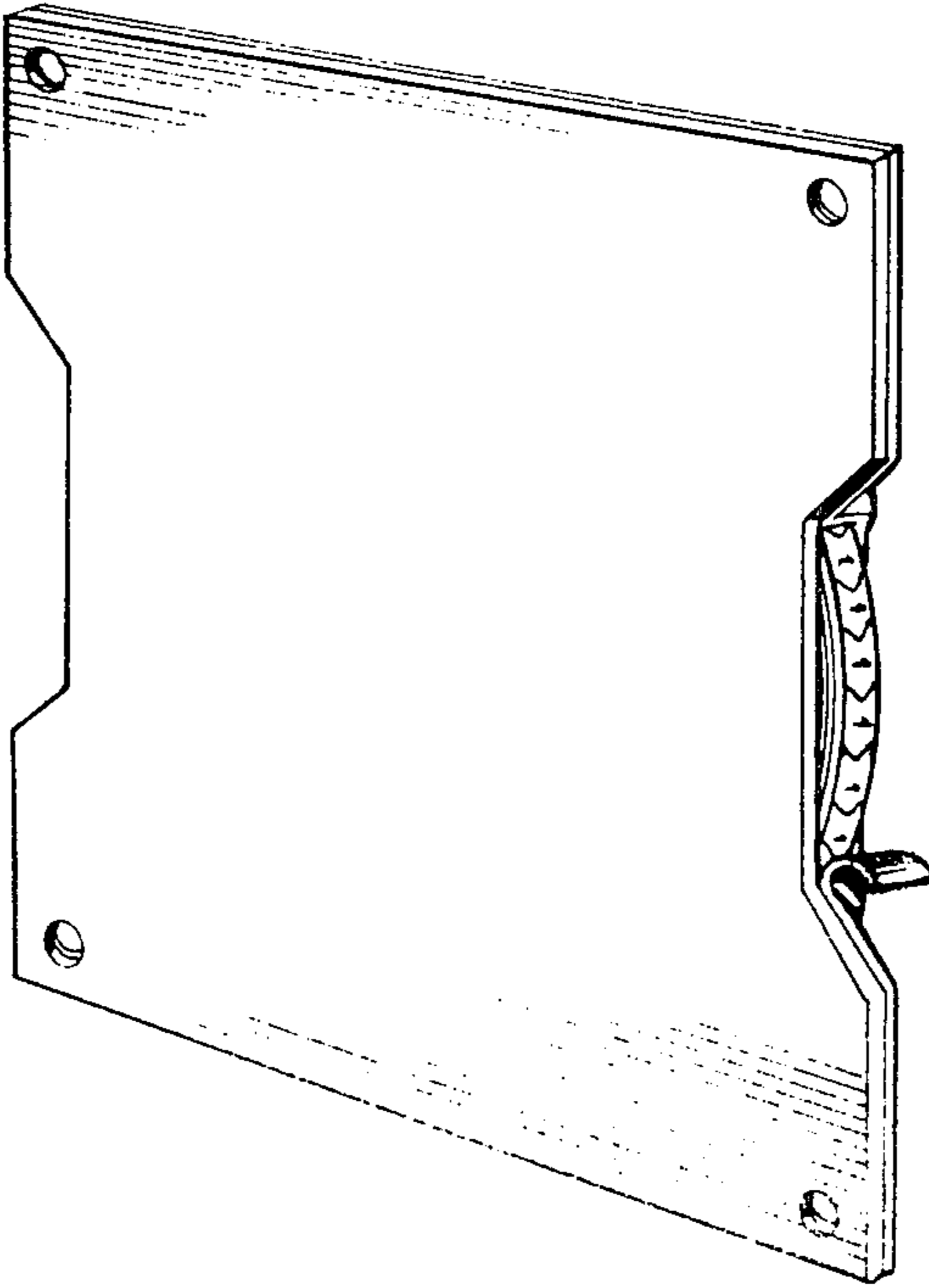


FIG. 2