

[54] VEHICULAR SECURITY LOCK HOUSING

[75] Inventors: Earl W. Turner, Brockton; George Lyall, Plymouth, both of Mass.

[73] Assignee: Audiovox Corp., Hauppauge, N.Y.

[**] Term: 14 Years

[21] Appl. No.: 392,023

[22] Filed: Jun. 25, 1982

[52] U.S. Cl. D8/330

[58] Field of Search D8/330, 331; D13/40, D13/41, 4; D16/1

[56] References Cited

U.S. PATENT DOCUMENTS

D. 113,740	3/1939	Hardags	D13/40
D. 196,303	9/1963	Bluhin	D13/40
D. 215,660	10/1969	Kalvitis	D13/40
D. 228,507	10/1973	DeLuca et al.	D14/52
D. 233,407	10/1974	Barmherzig	D8/331
D. 243,245	2/1977	Beshore	D13/15
D. 253,105	10/1979	Legerius et al.	D13/40
D. 253,281	10/1979	Kim	D13/41
D. 255,882	7/1980	Kim	D13/41
D. 256,468	8/1980	Schlagheck et al.	D16/1
D. 258,881	4/1981	Ota	D14/53

D. 259,708	6/1981	Swinstead	D13/40
D. 263,822	4/1982	Smith	D13/41

OTHER PUBLICATIONS

Catalog B-79, by Mt. West Alarm Supply Co.; Items S1-002-004, p. 18; All-056 and 058, p. 64.
TC Series System, Telephony Magazine, Mar. 14, 1975; Item TC-1000, midpage, extreme right article.

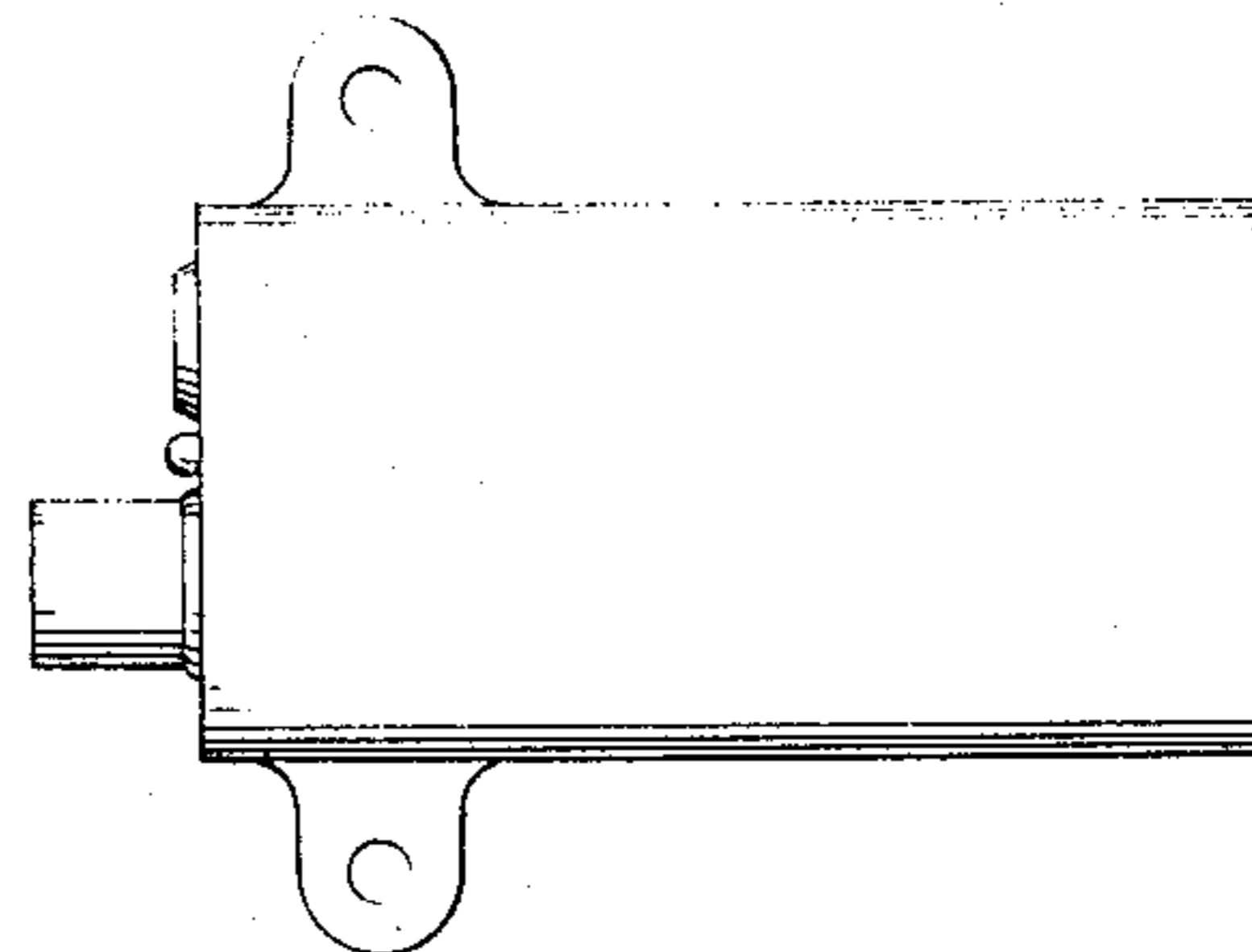
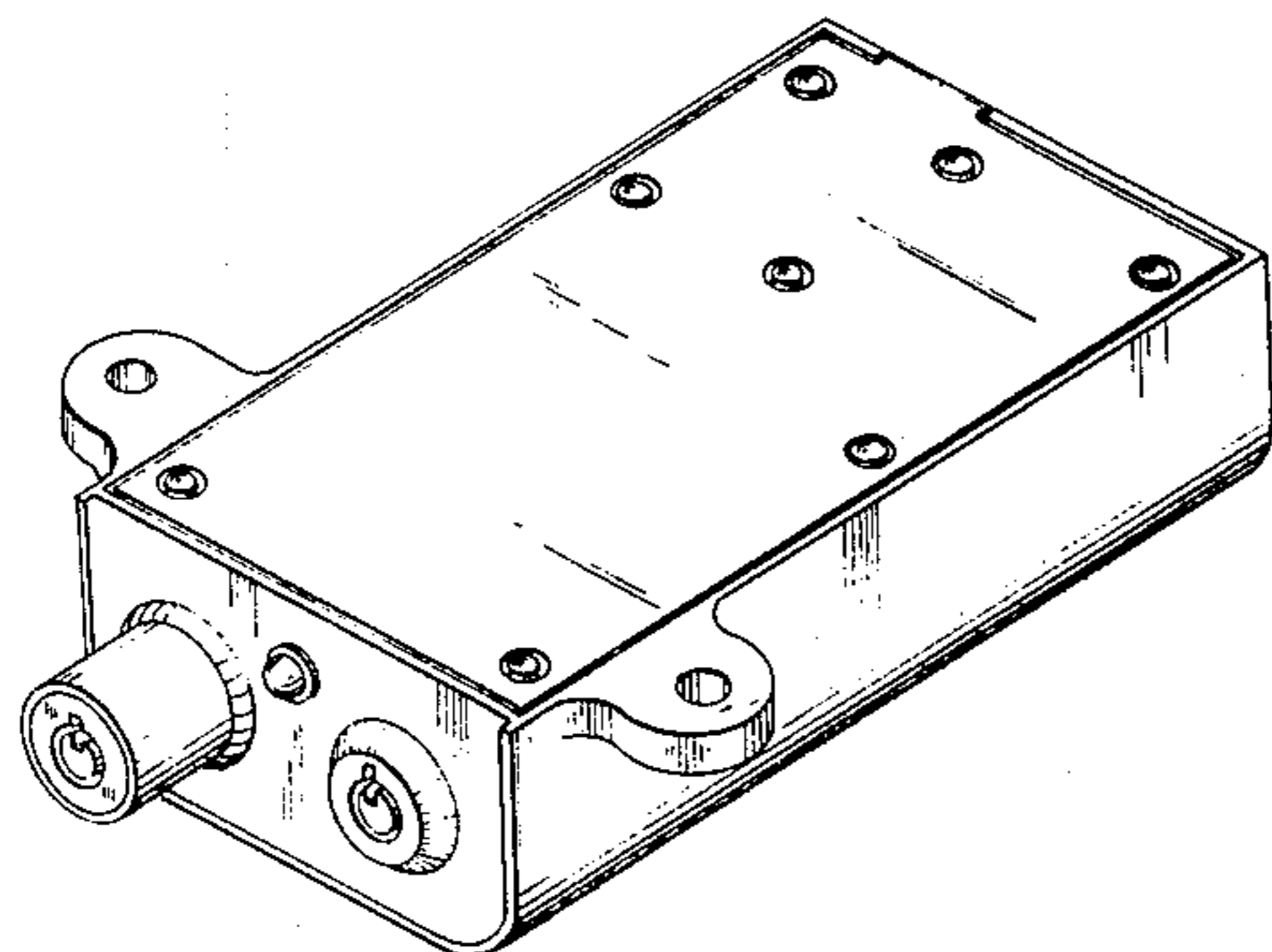
Primary Examiner—Wallace R. Burke
Assistant Examiner—Horace B. Fay
Attorney, Agent, or Firm—Jacobs & Jacobs

[57] CLAIM

The ornamental design for a vehicular security lock housing, as shown and described.

DESCRIPTION

FIG. 1 is a front and side perspective view from above of a vehicular security lock housing showing our new design;
FIG. 2 is a top plan view;
FIG. 3 is a bottom plan view;
FIG. 4 is a front elevational view;
FIG. 5 is a rear elevational view;
FIG. 6 is a left side elevational view; and
FIG. 7 is a right side elevational view.



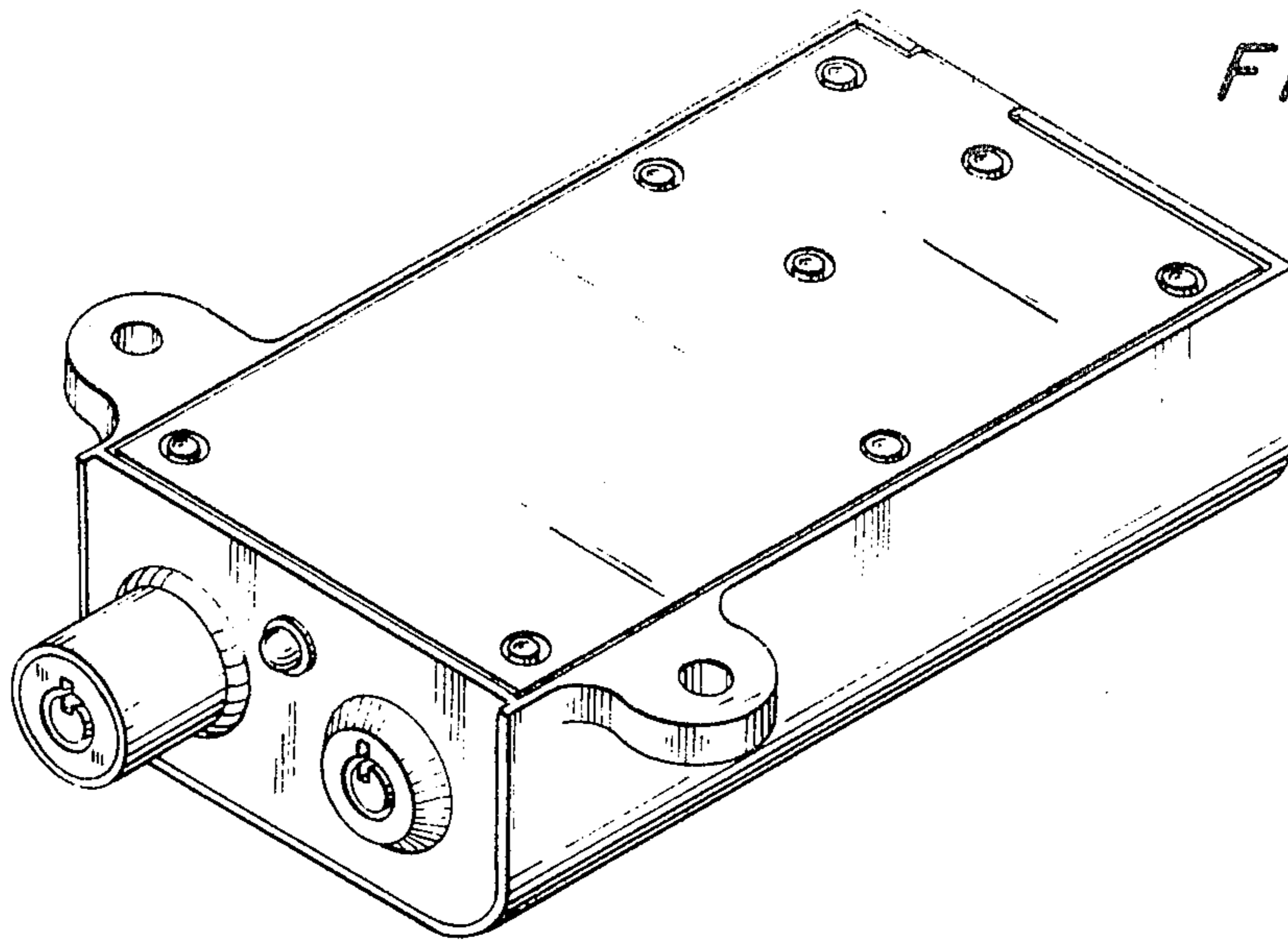


FIG. 1

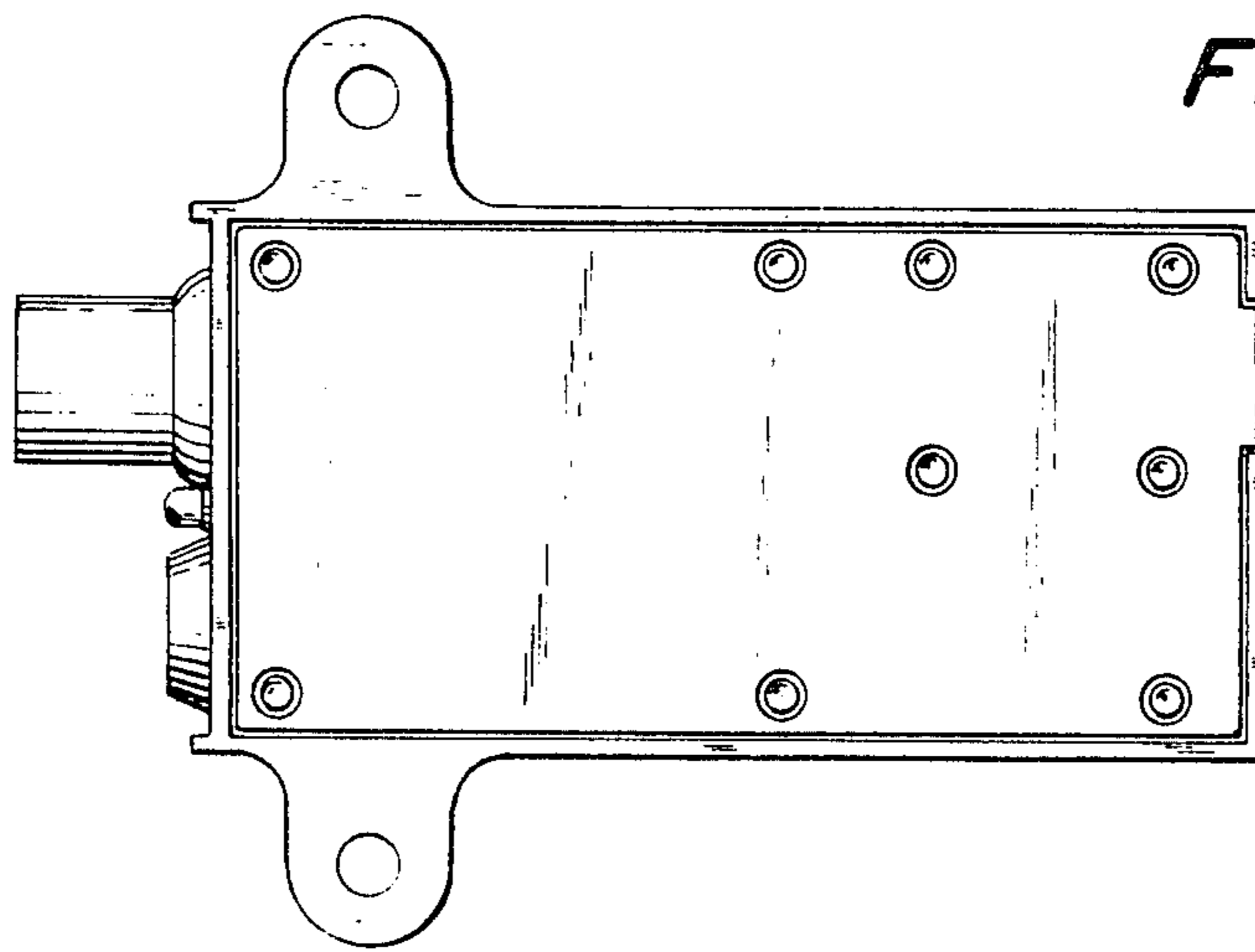


FIG. 2

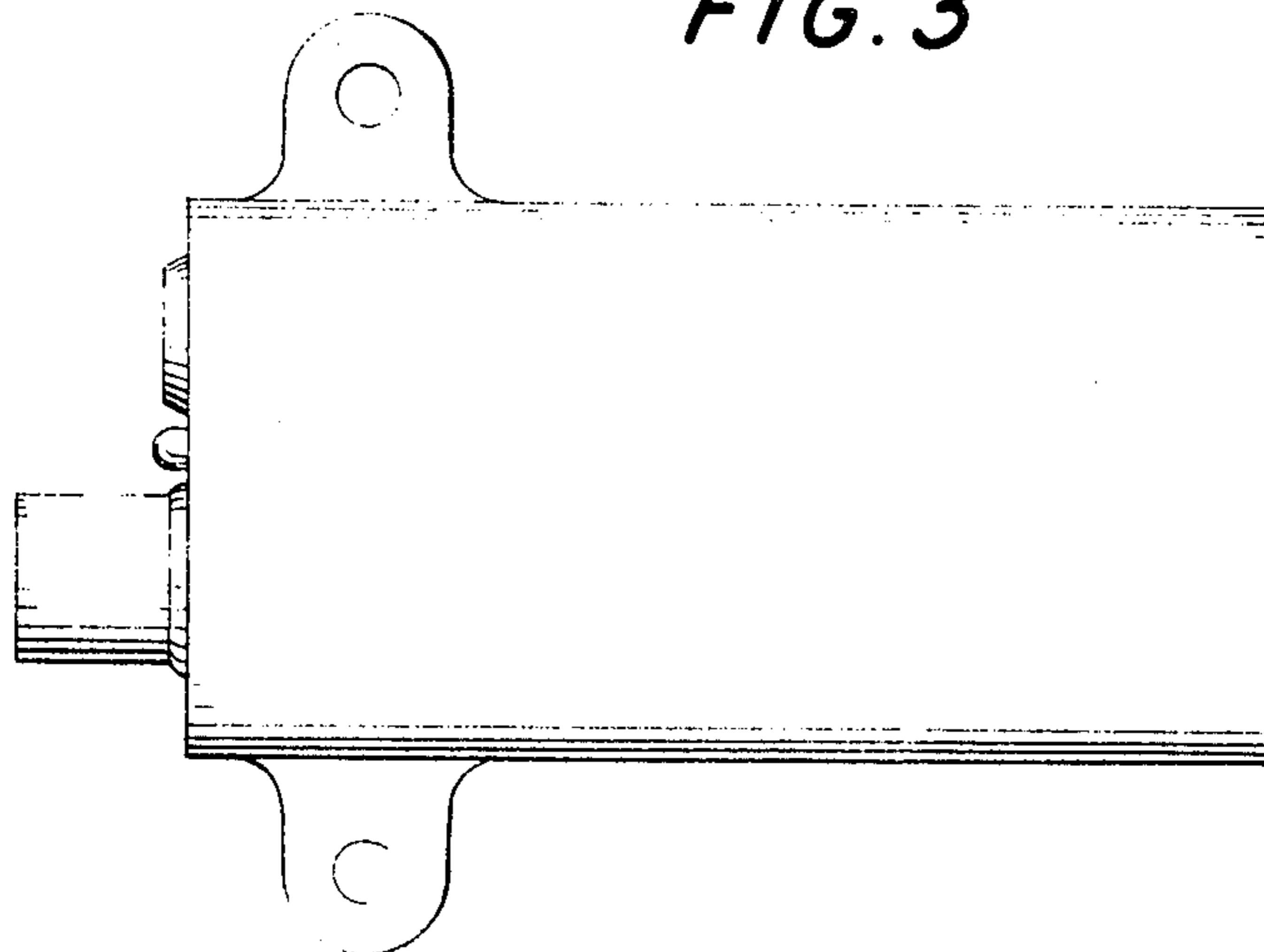


FIG. 3

FIG. 4

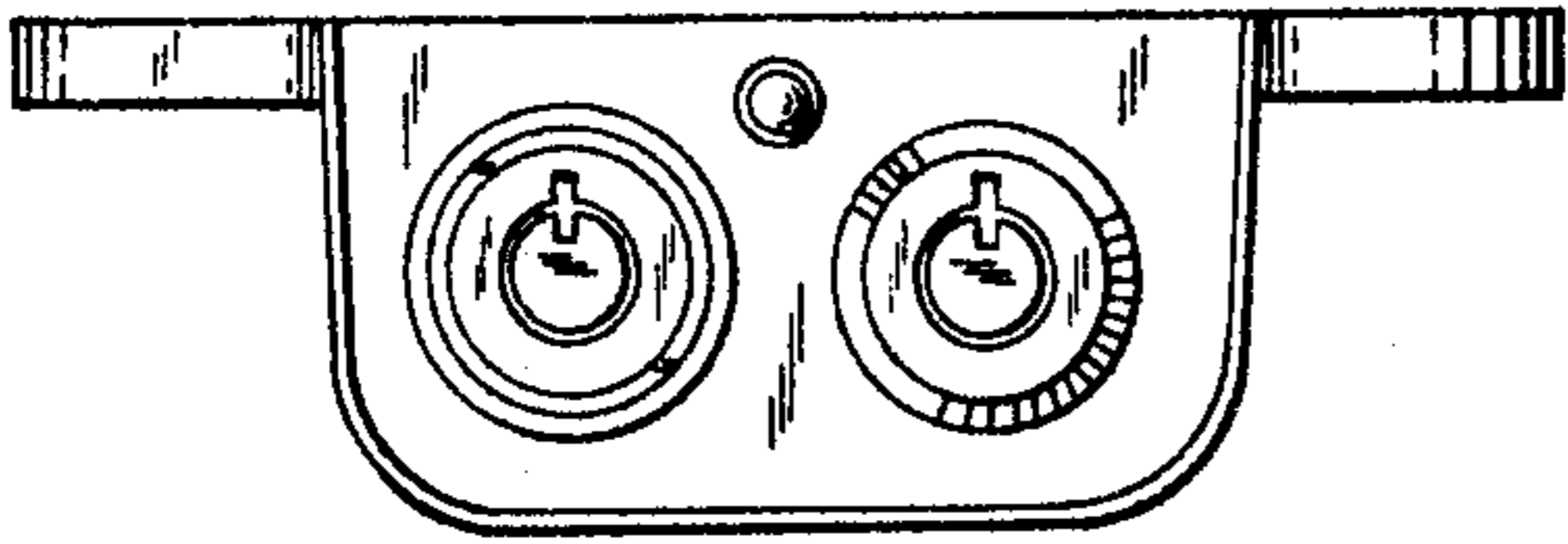


FIG. 5

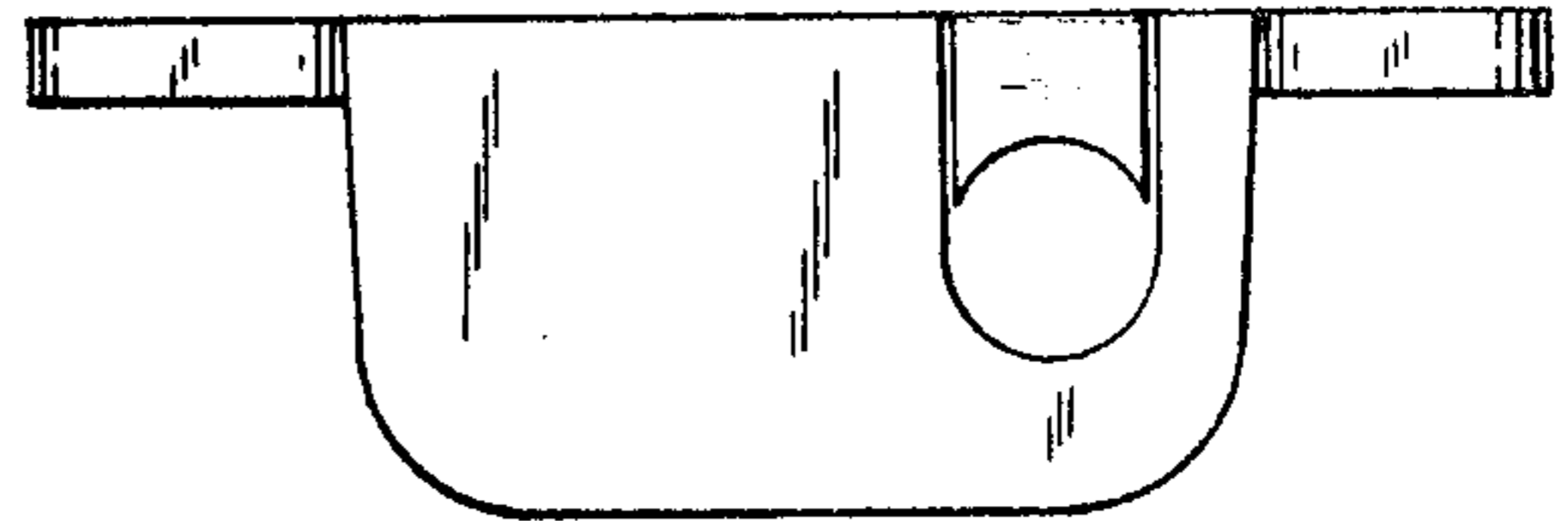


FIG. 6

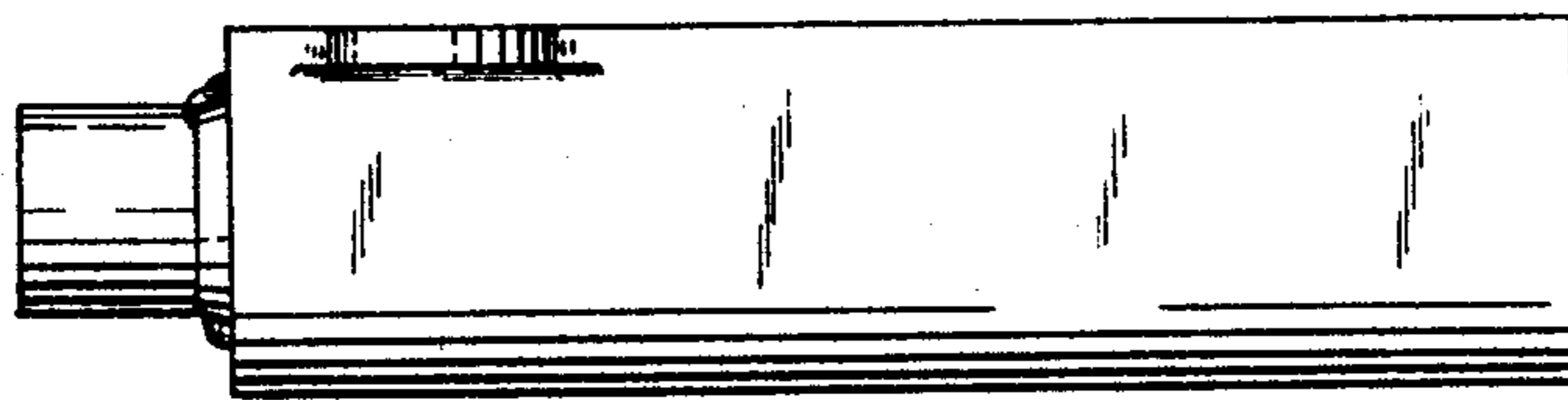


FIG. 7

