

[54] **PLASTIC PAIL LID REMOVAL TOOL**

[76] **Inventor: John DiFede, 24878 Tioga Rd., Hayward, Calif. 94544**

[\*\*] **Term: 14 Years**

[21] **Appl. No.: 396,415**

[22] **Filed: Jul. 8, 1982**

[52] **U.S. Cl. .... D8/40; D8/18; 81/3.46 A**

[58] **Field of Search .... D8/18, 40, 89; 81/3.1 R, 3.46 R, 3.46 A; 7/151; 220/284, 285, 286**

[56] **References Cited**

**U.S. PATENT DOCUMENTS**

- D. 244,575 6/1977 Endres et al. .... D8/40
- D. 254,834 4/1980 Madsen et al. .... D8/18
- D. 263,198 3/1982 Boyd ..... D8/40

- 952,827 3/1910 Martin, Sr. .... 220/284 X
- 2,049,489 8/1936 Christen ..... 81/3.46

**FOREIGN PATENT DOCUMENTS**

- 2287884 5/1976 France ..... 220/284

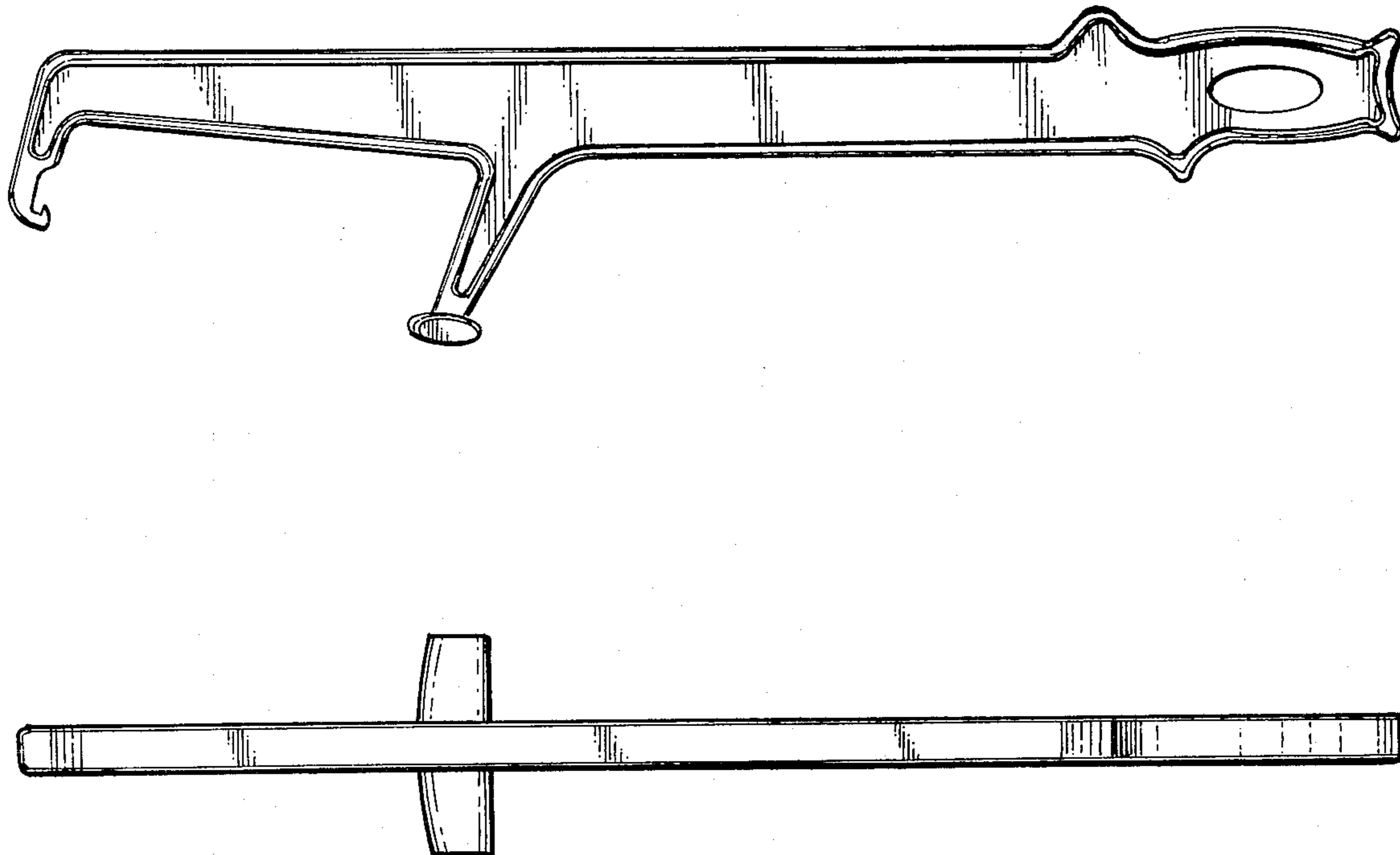
*Primary Examiner*—Bernard Ansher  
*Assistant Examiner*—Terry Pfeffer  
*Attorney, Agent, or Firm*—Linval B. Castle

[57] **CLAIM**

The ornamental design for a plastic pail lid removal tool, as shown and described.

**DESCRIPTION**

FIG. 1 is a side elevation view of the plastic pail lid removal tool, showing my new design; FIG. 2 is a top plan view thereof; FIG. 3 is a bottom plan view thereof; FIG. 4 is a front elevation thereof; and FIG. 5 is a rear elevation view thereof.



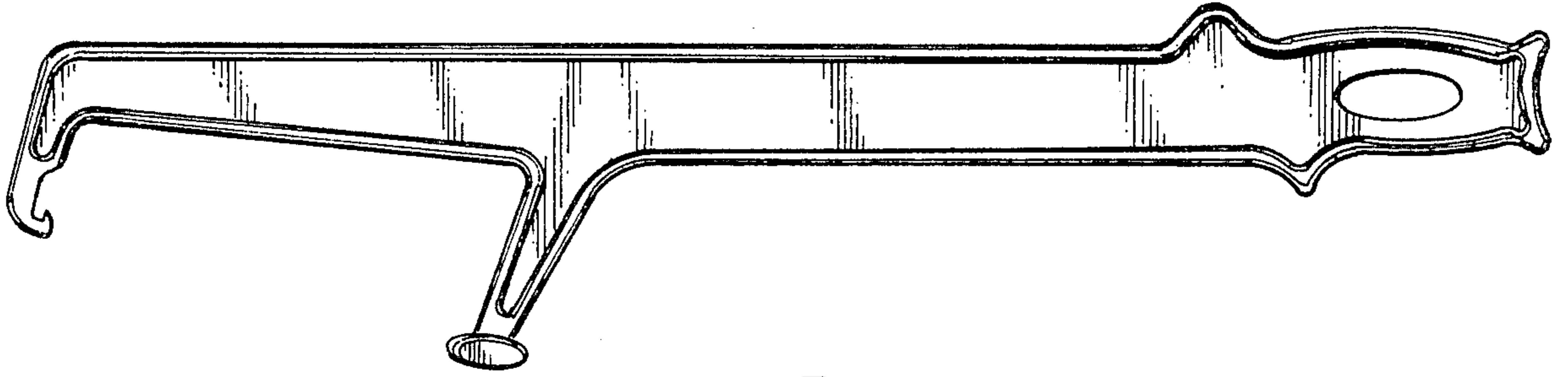


FIG. 1

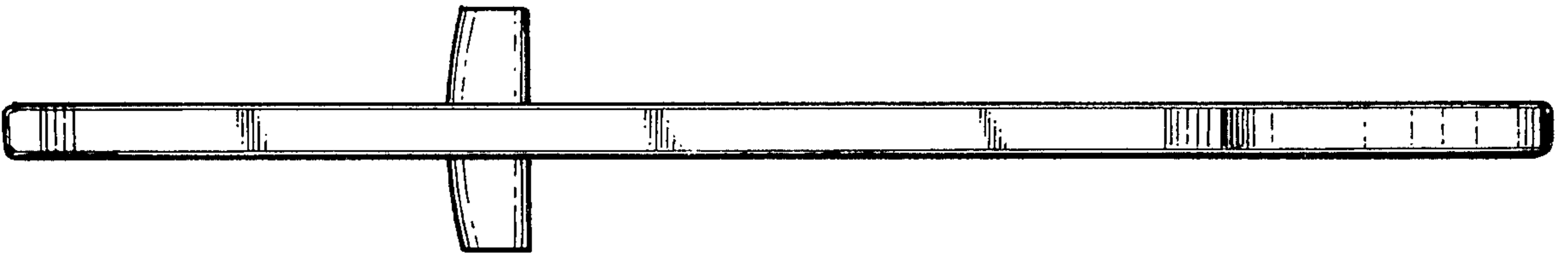


FIG. 2

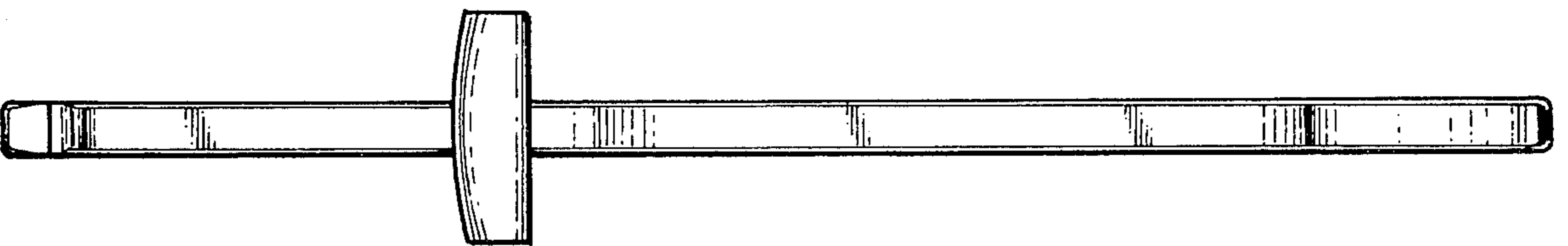


FIG. 3

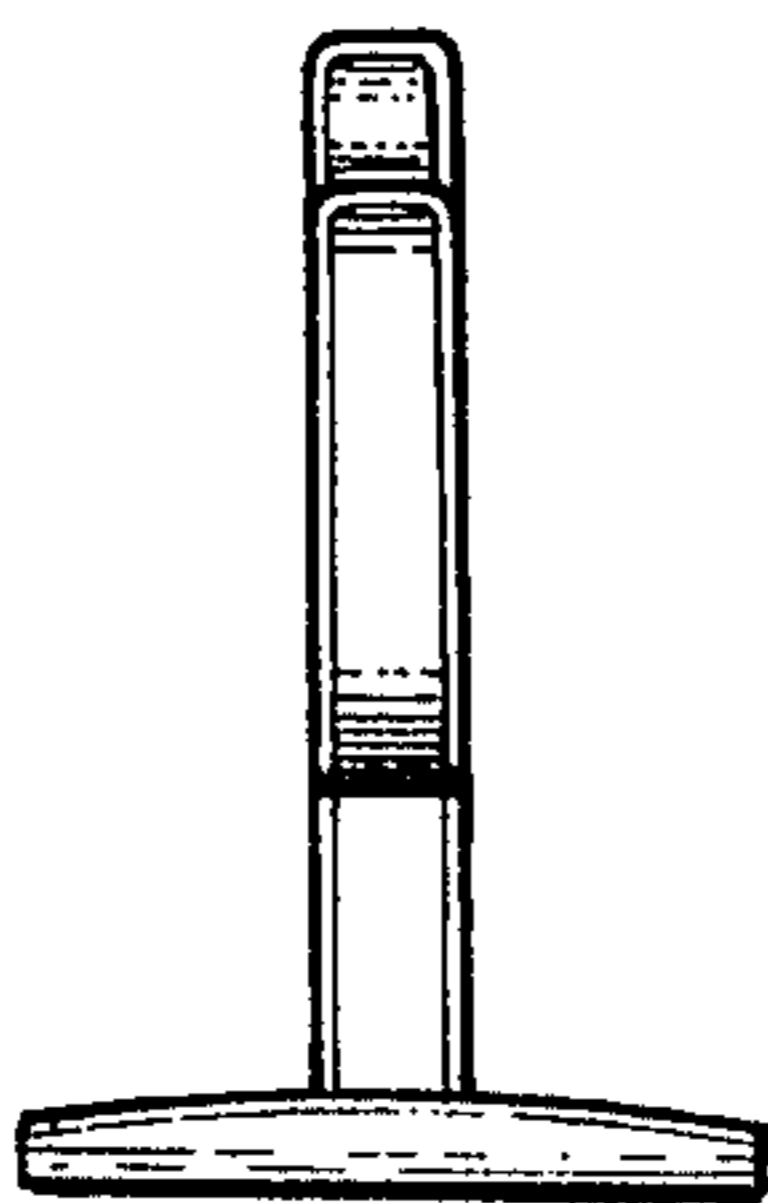


FIG. 4

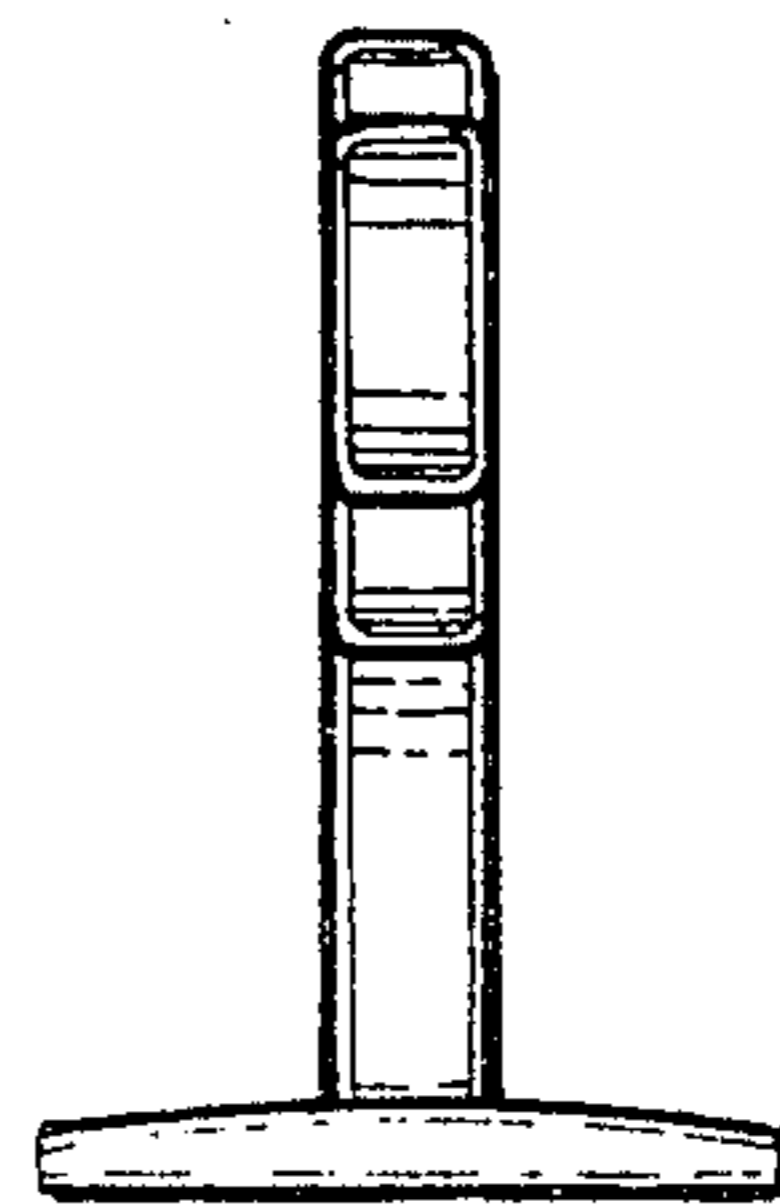


FIG. 5