

[54] RETURN CABINET FOR A LAVATORY BASIN

D. 237,130 10/1975 San Giovanni D6/159
3,588,211 6/1971 Ogden 312/194

[75] Inventor: James J. Palka, Arlington Heights, Ill.

[73] Assignee: Pace Industries Inc., Chicago, Ill.

[**] Term: 14 Years

[21] Appl. No.: 370,948

[22] Filed: Apr. 22, 1982

[52] U.S. Cl. D6/445; D6/494

[58] Field of Search D6/157, 158, 159, 160, D6/161, 162, 165, 166, 181, 167, 168; D23/54, 58, 59, 61, 62, 63; 312/209, 194, 195, 196; 108/60

[56] References Cited

U.S. PATENT DOCUMENTS

D. 191,747 11/1961 Jentzen D6/181

OTHER PUBLICATIONS

Product Engineering Dec. 9, 1963, p. 41; Sink Cabinet bottom right on page.

Sweet's Cat. File 1981 Section D, 16/RA p. 5; Item #800-WL Sink Cabinet center row second from left.

Primary Examiner—Bernard Ansher

Assistant Examiner—Carmen H. Vales

Attorney, Agent, or Firm—W. A. Snow

[57] CLAIM

The ornamental design for a return cabinet for a lavatory basin, as shown and described.

DESCRIPTION

FIG. 1 is a perspective view of a return cabinet for a lavatory basin showing my new design;

FIG. 2 is a top plan view thereof; and

FIG. 3 is a reduced-scale rear elevational view thereof.

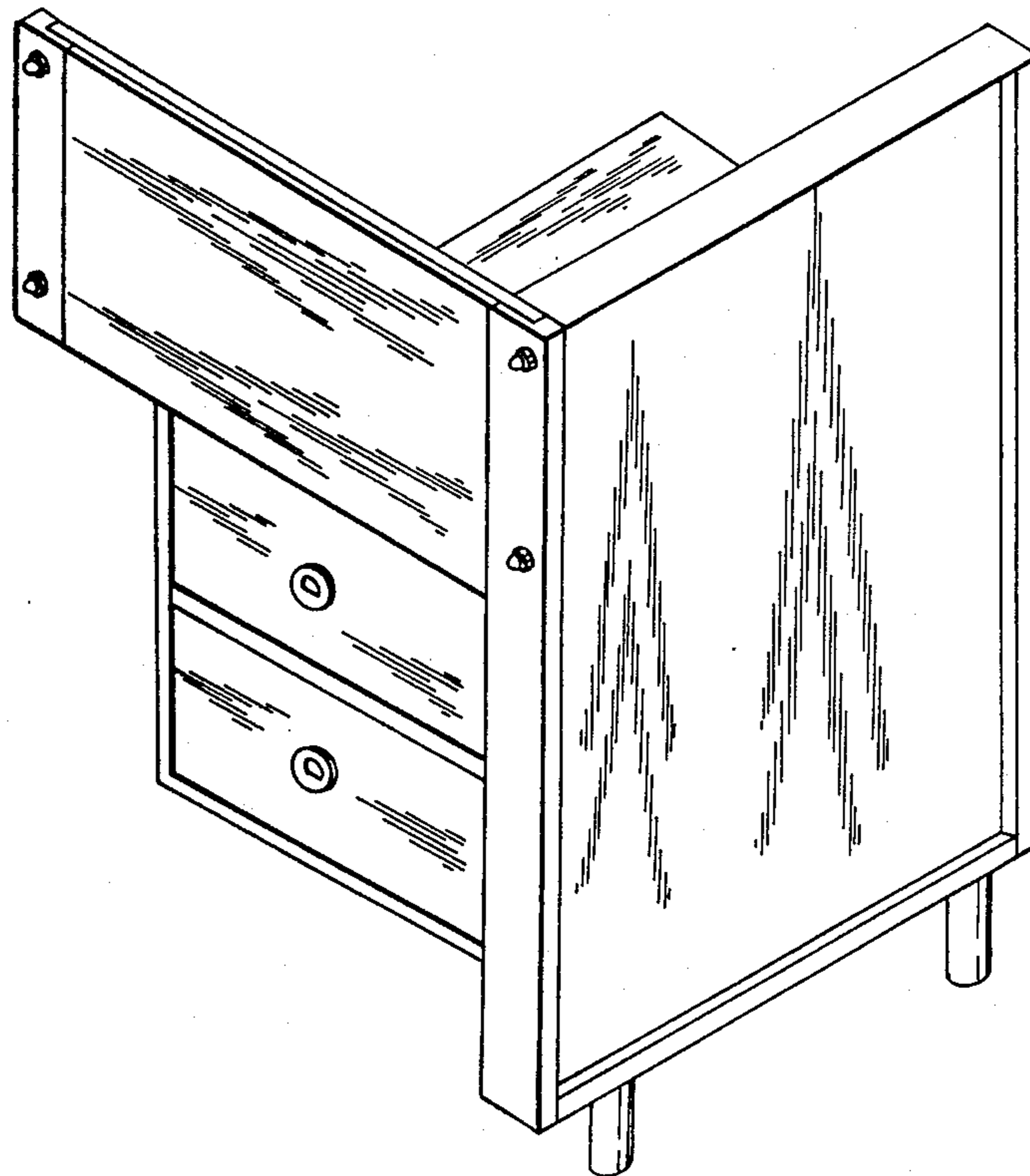


FIG-1

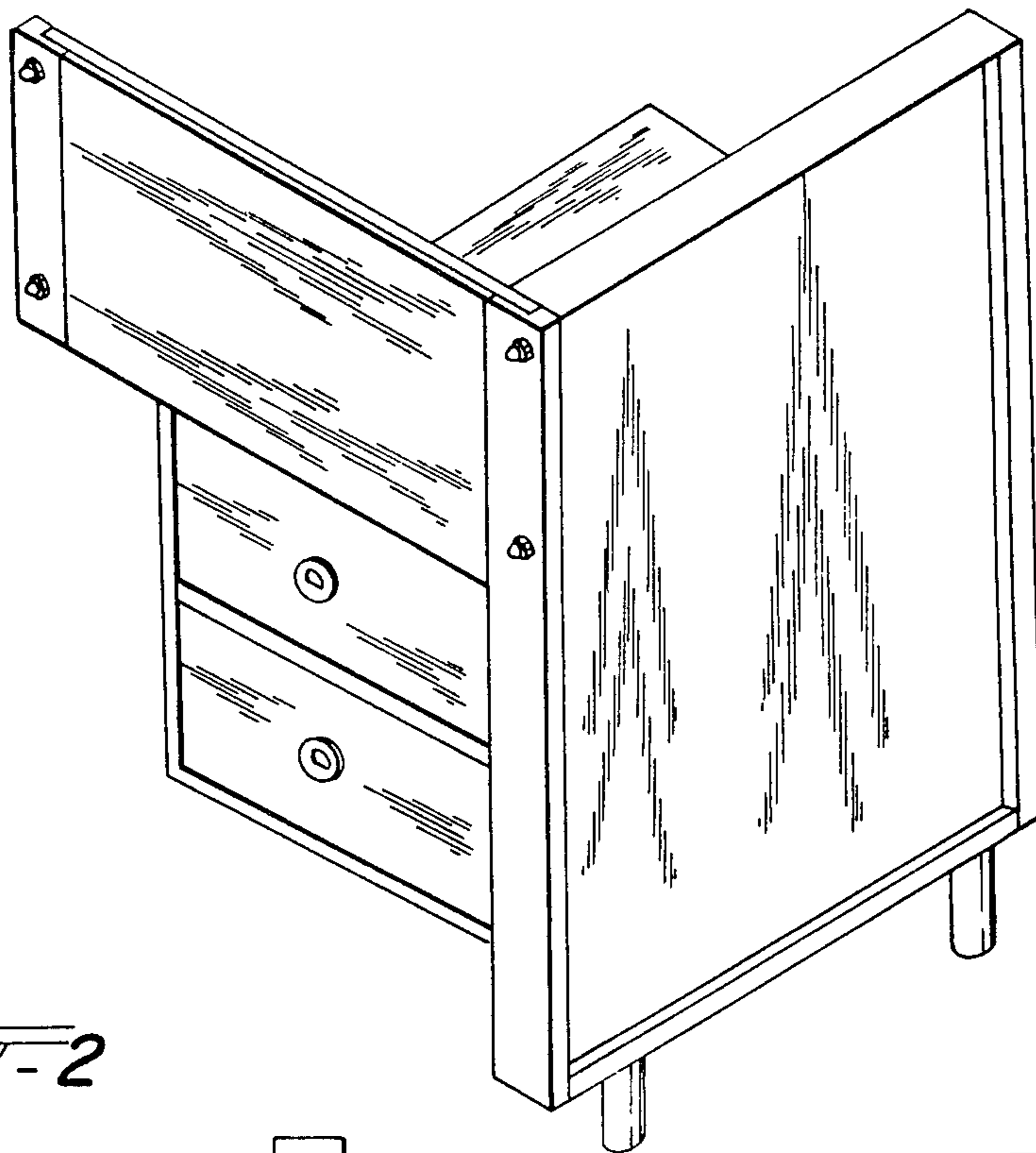


FIG-2

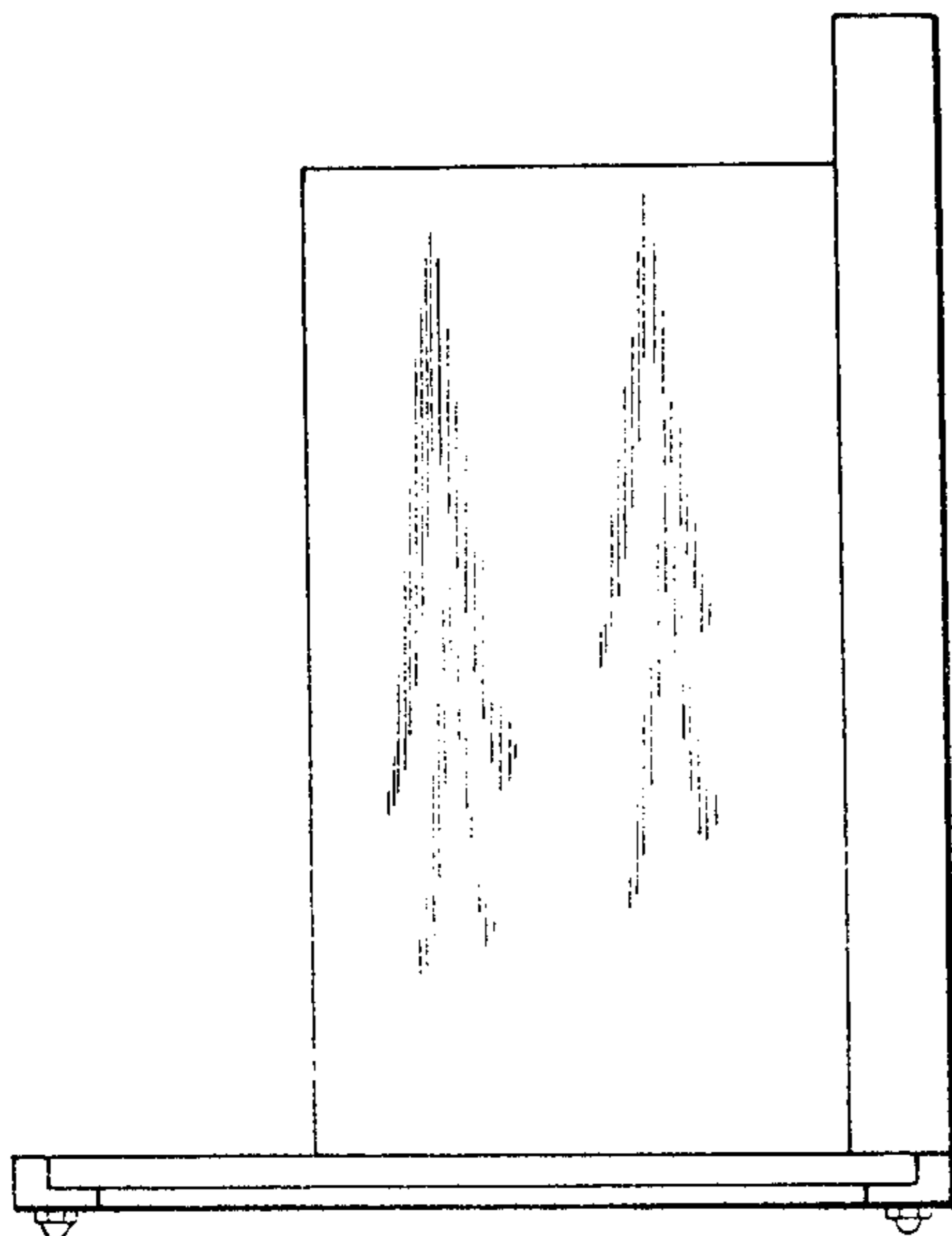


FIG-3

