

# United States Patent [19]

Evans

[11] Patent Number: **Des. 276,286**

[45] Date of Patent: **\*\* Nov. 13, 1984**

[54] **MICROFICHE BOX COVER**

[75] Inventor: **Donald L. Evans, DeForest, Wis.**

[73] Assignee: **Don Evans, Inc., DeForest, Wis.**

[\*\*] Term: **14 Years**

[21] Appl. No.: **380,628**

[22] Filed: **May 21, 1982**

[52] U.S. Cl. .... **D3/35; D3/99; D9/425**

[58] Field of Search ..... **D3/30.1, 33, 35; D7/40, D7/16, 391, 84; D9/418, 423, 425, 431, 432, 426, 424; D14/114; 206/45.33, 45.34, 425**

[56] **References Cited**

### U.S. PATENT DOCUMENTS

- D. 118,282 12/1939 Hood ..... D3/35
- D. 191,070 8/1961 McCreery ..... D9/431
- D. 249,917 10/1978 Collins ..... D7/356

- D. 270,597 9/1983 Conti ..... D7/40
- 2,585,180 2/1952 Smith ..... D7/40
- 3,695,419 10/1972 Packett ..... 206/45.34
- 3,902,595 9/1975 Mori ..... 206/45.34

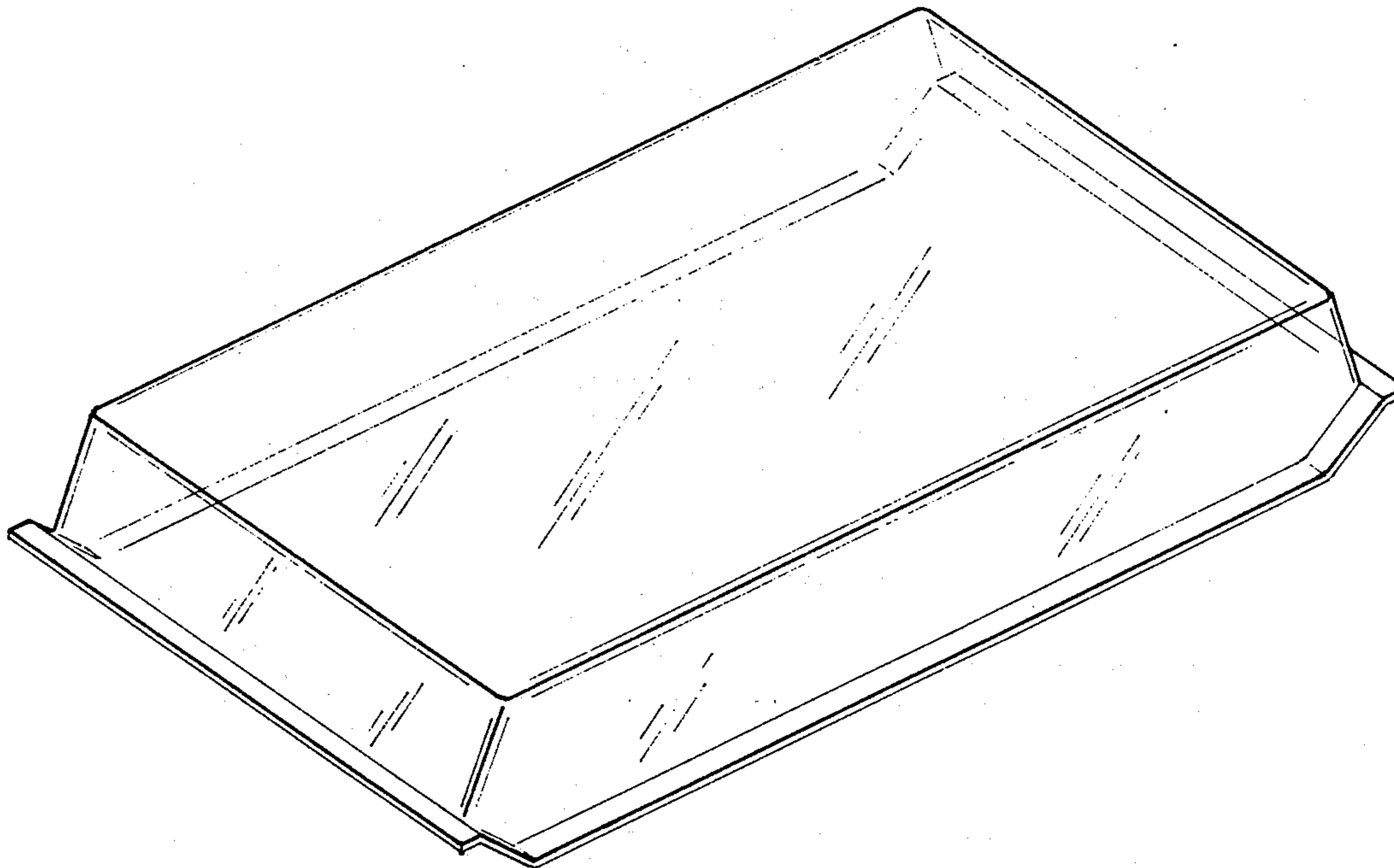
*Primary Examiner*—George P. Word  
*Attorney, Agent, or Firm*—Isaksen, Lathrop, Esch, Hart & Clark

### [57] CLAIM

The ornamental design for a microfiche box cover, as shown and described.

### DESCRIPTION

FIG. 1 is a perspective view of a microfiche box cover showing my new design;  
 FIG. 2 is a front elevational view thereof, the rear elevational view being identical;  
 FIG. 3 is a right side elevational view, the left side being identical thereto; and  
 FIG. 4 is a bottom plan view thereof.



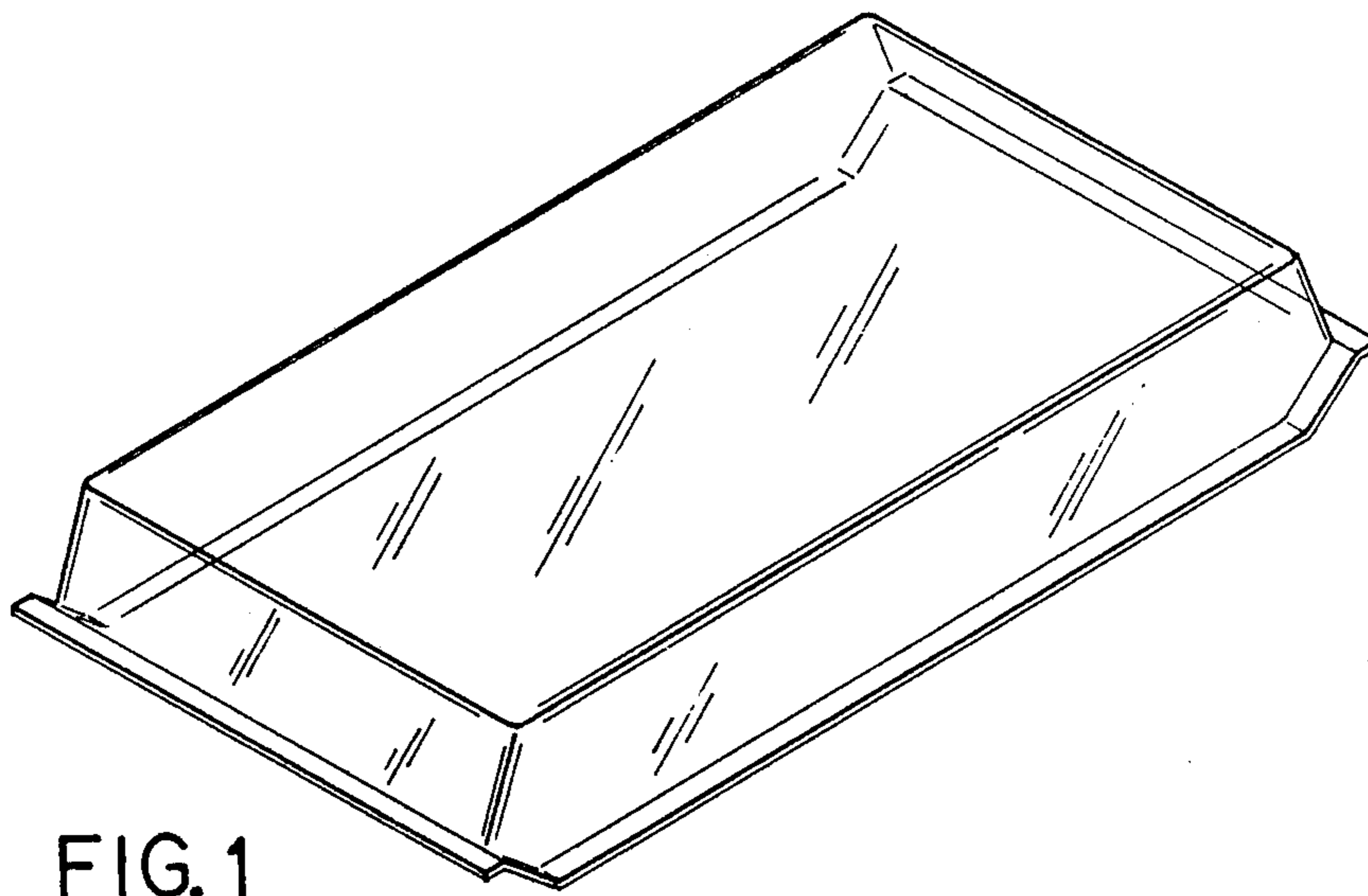


FIG. 1

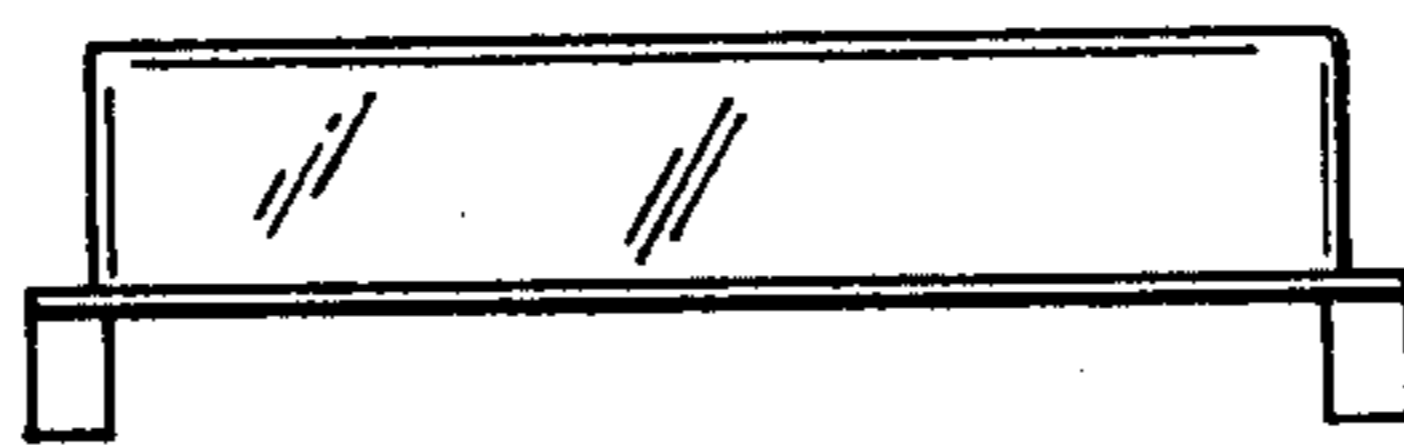


FIG. 2

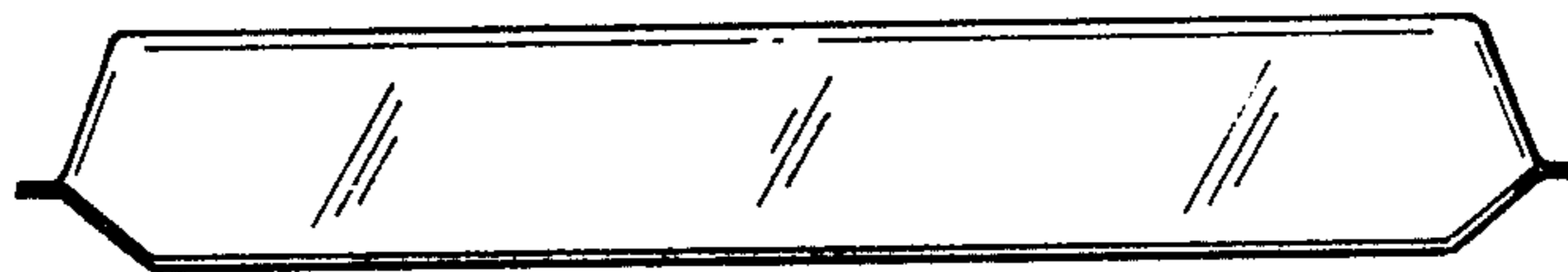


FIG. 3

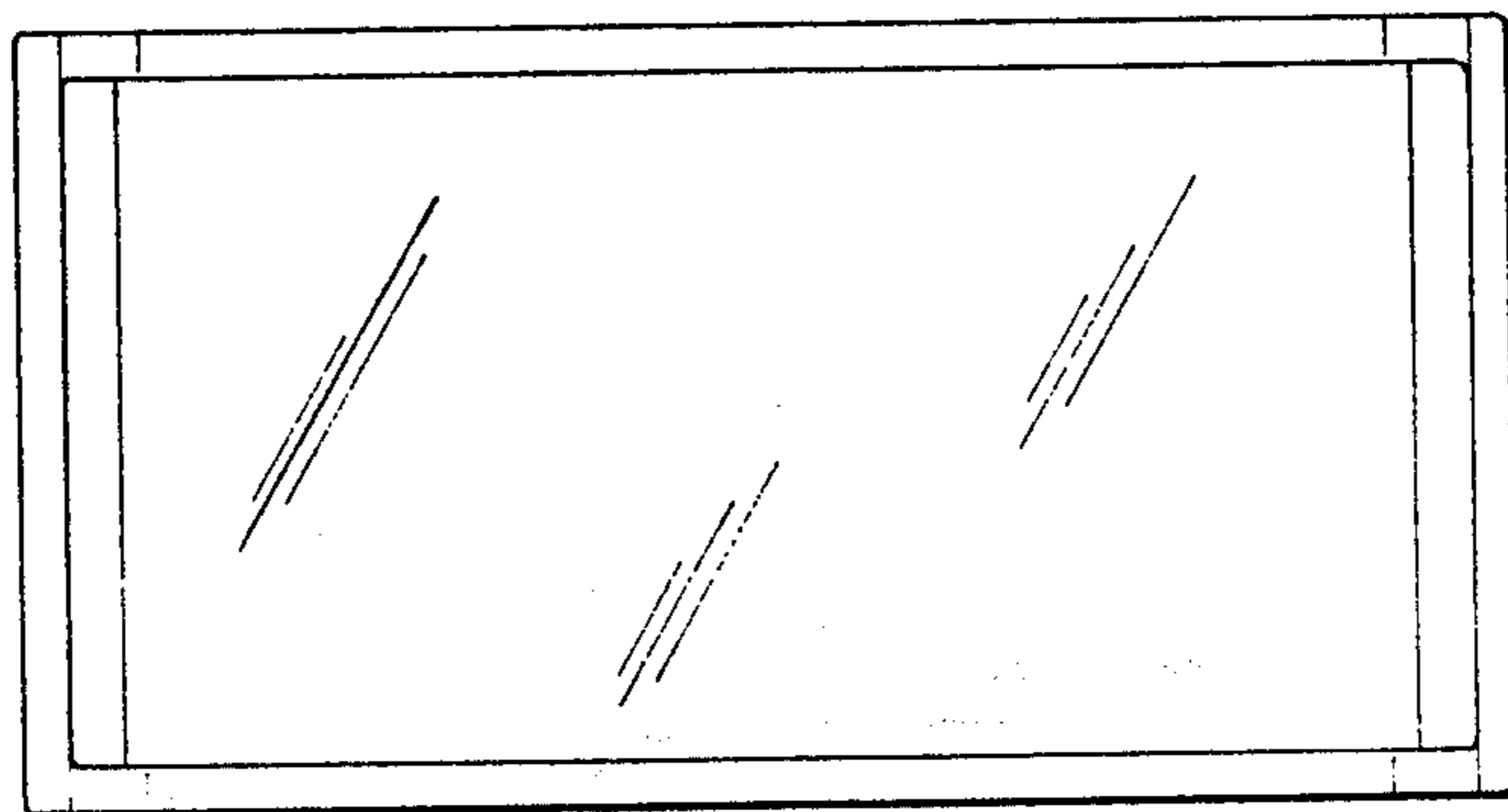


FIG. 4