

United States Patent [19]

Quirin

[11] Patent Number: Des. 276,280

[45] Date of Patent: ** Nov. 6, 1984

[54] CABLE TRACTION APPARATUS
 [75] Inventor: Francois Quirin, Courbevoie, France
 [73] Assignee: Tractel S.A., France
 [**] Term: 14 Years
 [21] Appl. No.: 320,369
 [22] Filed: Nov. 12, 1981

[30] Foreign Application Priority Data
 Jul. 16, 1981 [FR] France 812503
 [52] U.S. Cl. D34/33
 [58] Field of Search D34/33, 35; 254/256,
 254/264, 384

[56] References Cited
 U.S. PATENT DOCUMENTS
 1,920,686 8/1933 Faure 254/264
 2,585,101 2/1952 Faure 254/256 X
 2,995,339 8/1961 Persiaux 254/384
 3,222,742 12/1965 Persiaux 254/264 X

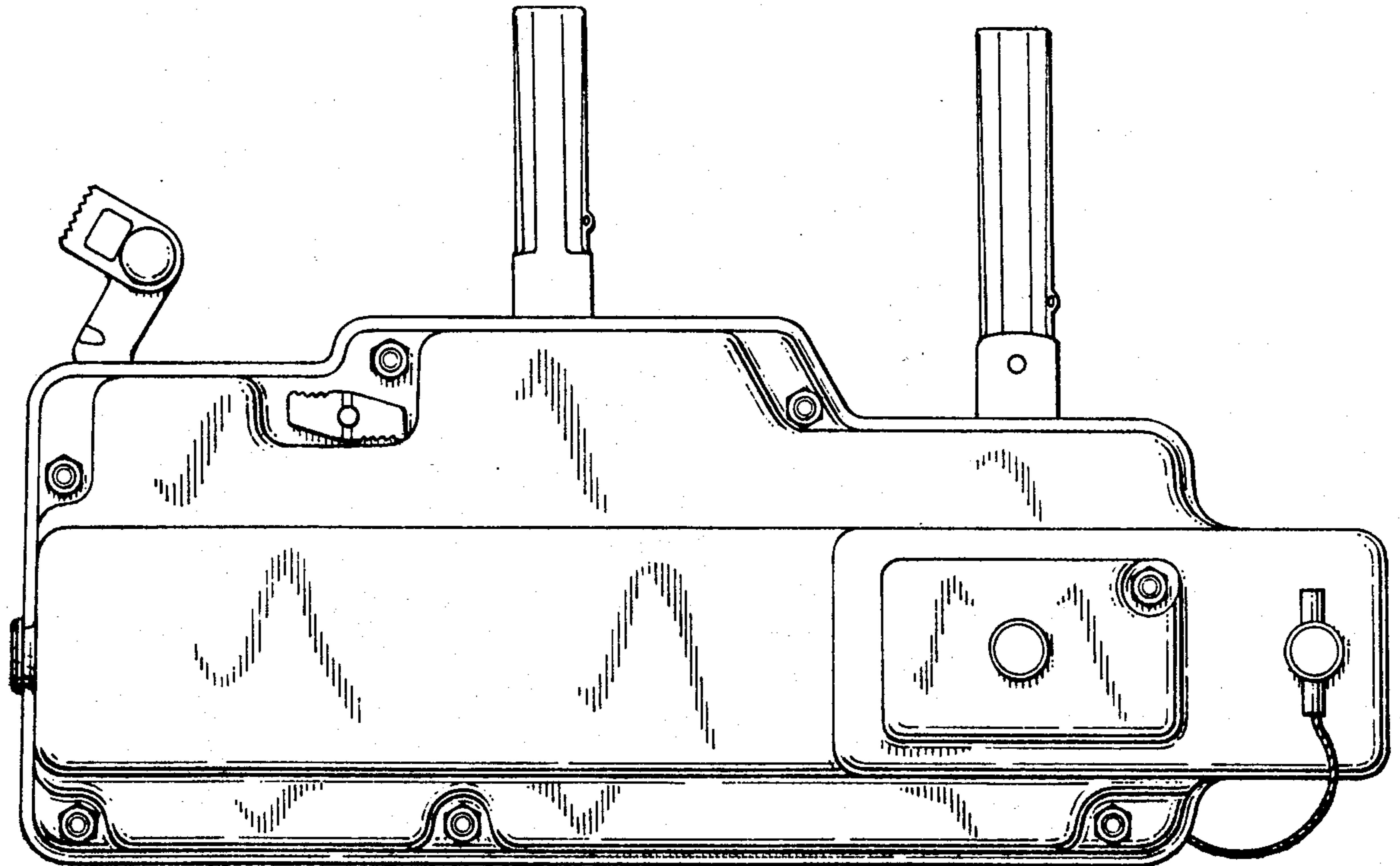
3,237,920 3/1966 Dohmeier 254/264 X
 3,485,478 12/1969 Desplats et al. 254/264 X
 3,528,139 9/1970 Desplats 254/264 X
 4,032,110 6/1977 Rinio 254/384

FOREIGN PATENT DOCUMENTS
 226416 3/1963 Austria 254/264

Primary Examiner—Catherine E. Kemper
 Attorney, Agent, or Firm—William A. Drucker

[57] CLAIM
 The ornamental design for a cable traction apparatus, as shown.

DESCRIPTION
 FIG. 1 is a side elevational view of a cable traction apparatus, showing my new design;
 FIG. 2 is a front elevational view thereof;
 FIG. 3 is a rear elevational view thereof;
 FIG. 4 is an elevational view of the side opposite that shown in FIG. 1;
 FIG. 5 is a bottom plan view thereof;
 FIG. 6 is a top plan view thereof.



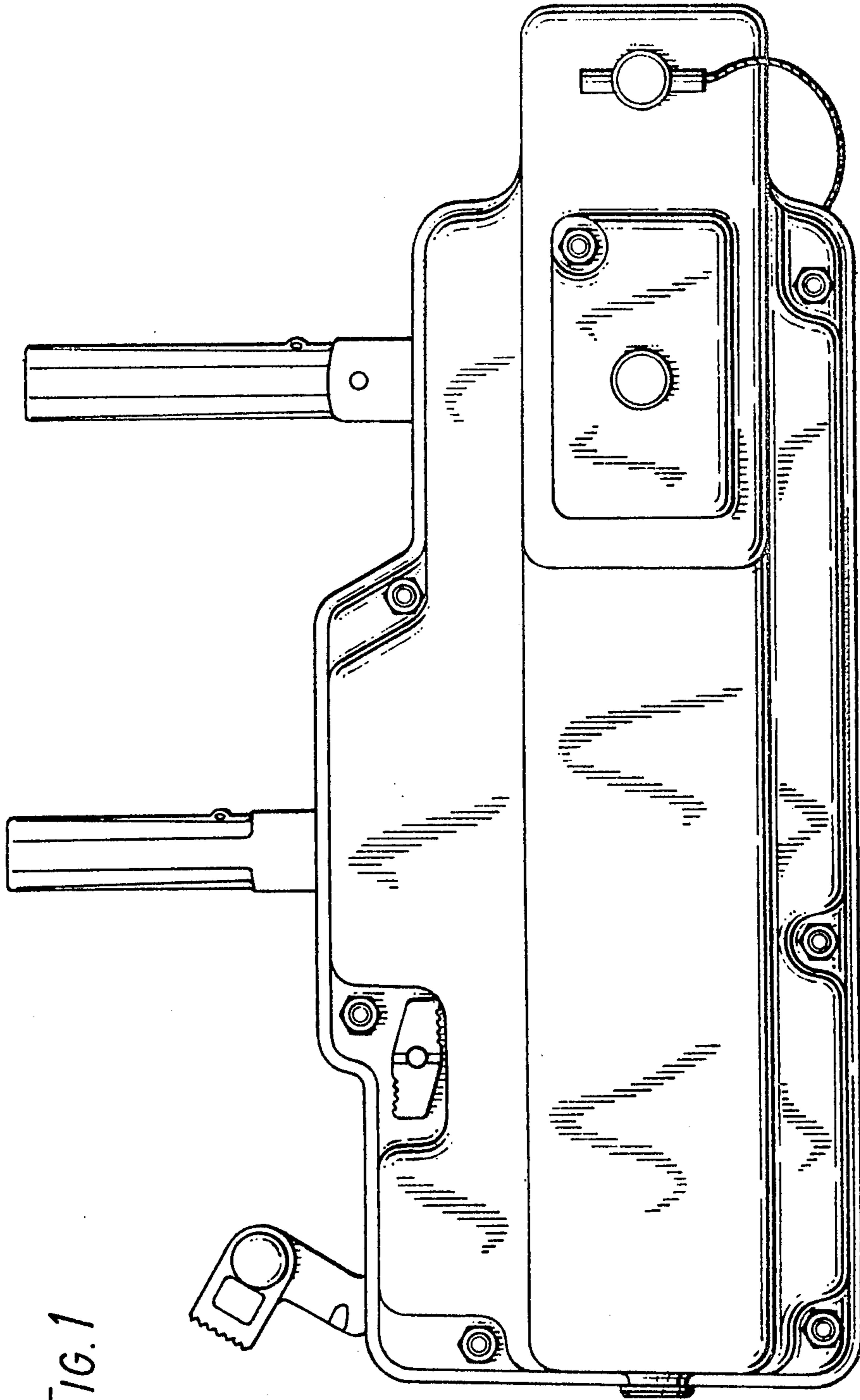


FIG. 1

FIG. 2

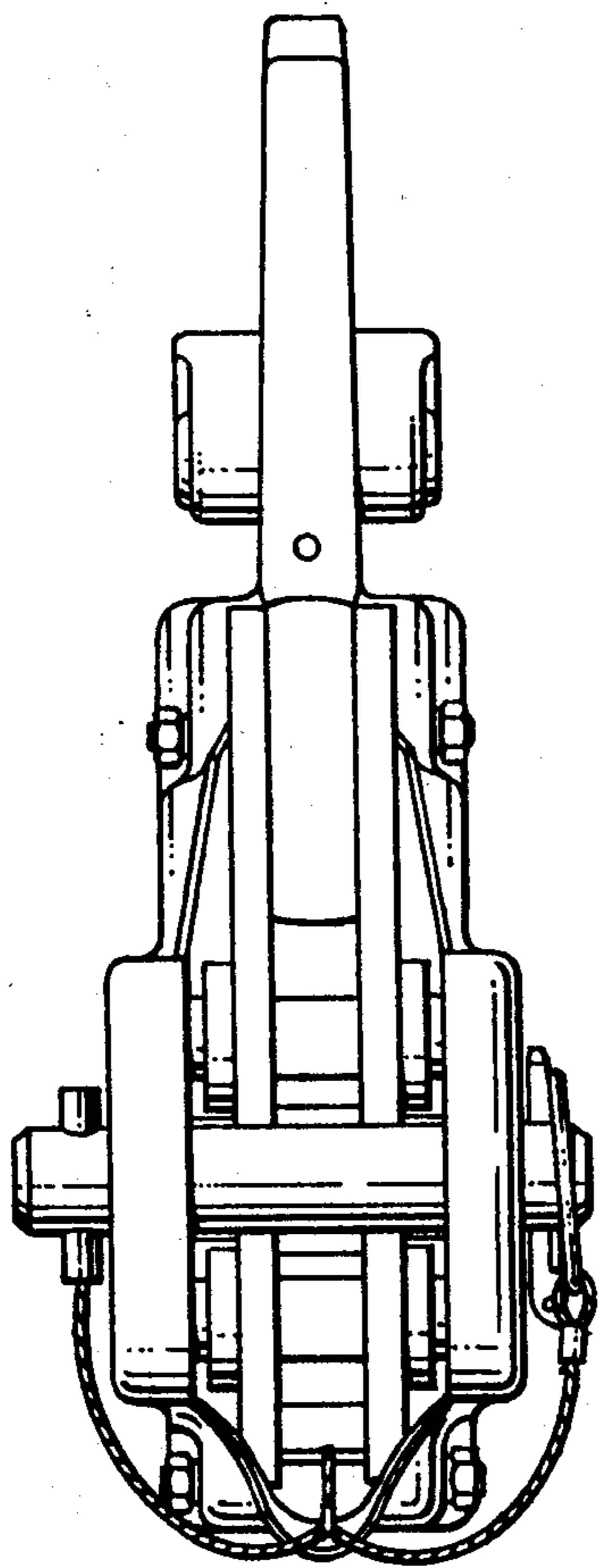
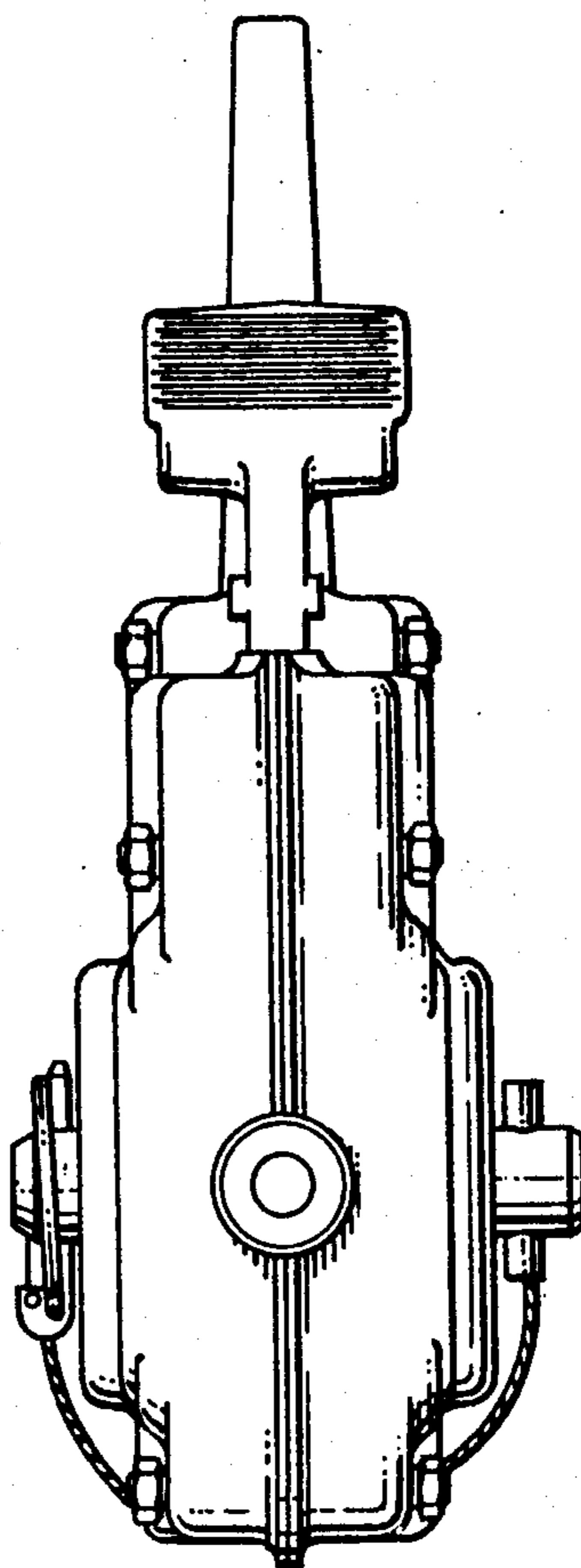


FIG. 3



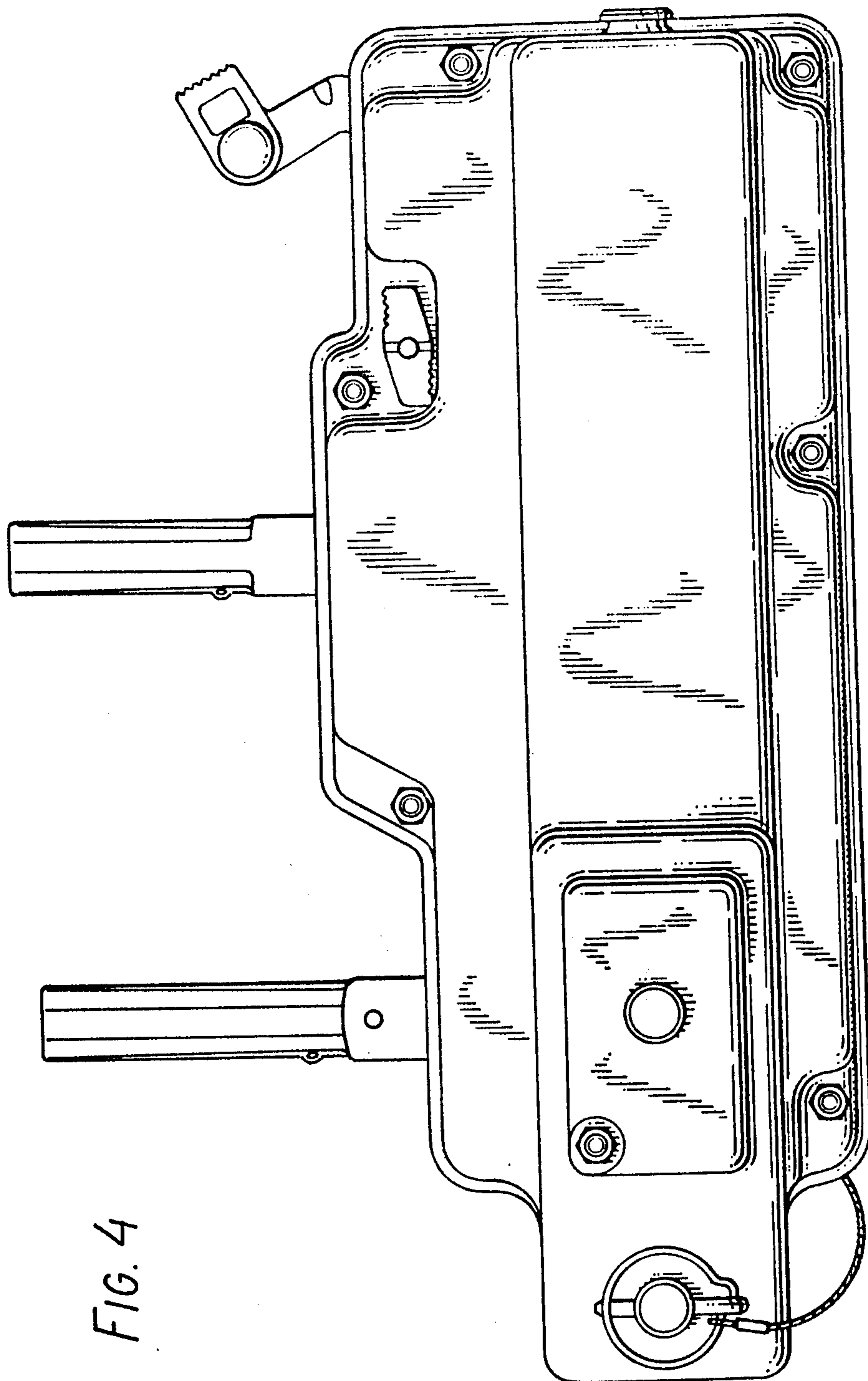


FIG. 4

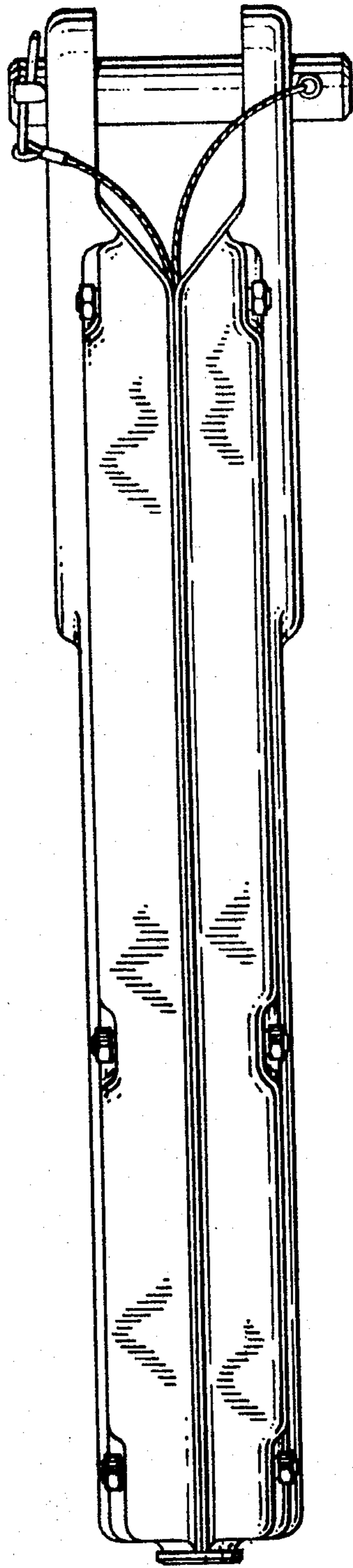


FIG. 5

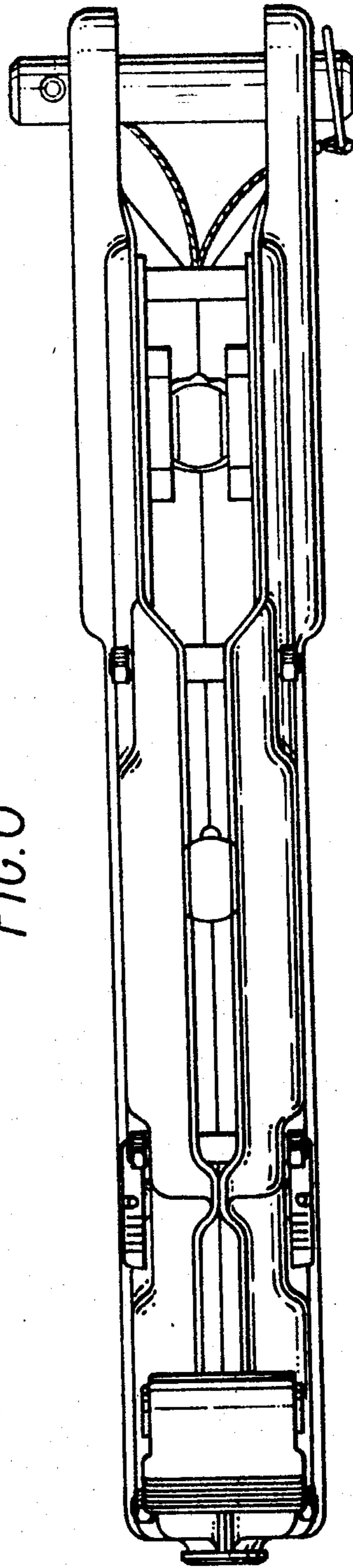


FIG. 6