

United States Patent [19]

Miller et al.

[11] Patent Number: **Des. 276,279**

[45] Date of Patent: **** Nov. 6, 1984**

[54] **ELECTRIC VACUUM CLEANER**

[75] Inventors: **Jonathan Miller, Williamsport;**
Rudolph W. Wacek, Montoursville;
Robert C. Berfield, Jersey Shore, all
of Pa.

[73] Assignee: **Shop-Vac Corporation, Williamsport,**
Pa.

[**] Term: **14 Years**

[21] Appl. No.: **424,596**

[22] Filed: **Sep. 27, 1982**

[52] U.S. Cl. **D32/22**

[58] Field of Search **D32/15, 19, 20, 21,**
D32/22; 15/30, 319, 320, 321, 322, 323, 324,
325, 326, 377 R, 327 D, 327 E

[56] **References Cited**

U.S. PATENT DOCUMENTS

D. 200,292 2/1965 Fritts **D32/22**
D. 211,282 6/1968 Schaefer **D32/22**
D. 212,830 11/1968 Rogers et al. **D32/22**

D. 217,737 6/1970 Lagerstrom et al. **D32/22**
D. 219,348 12/1970 Anderson **D32/15**
D. 223,773 6/1972 Lindstrom **D32/22**
3,308,247 3/1967 Doersam et al. **15/323**

Primary Examiner—Wallace R. Burke

Assistant Examiner—Lynn Wilder

Attorney, Agent, or Firm—Ostrolenk, Faber, Gerb &
Soffen

[57] **CLAIM**

The ornamental design for an electric vacuum cleaner,
as shown and described.

DESCRIPTION

FIG. 1 is a front perspective view of an electric vacuum
cleaner showing our new design;
FIG. 2 is a top plan view thereof;
FIG. 3 is a left-side elevational view thereof;
FIG. 4 is a right-side elevational view thereof;
FIG. 5 is a front elevational view thereof;
FIG. 6 is a rear elevational view thereof; and
FIG. 7 is a bottom plan view thereof.

The fragmentary showing of the handle in FIGS. 3-7 is
for ease of illustration.

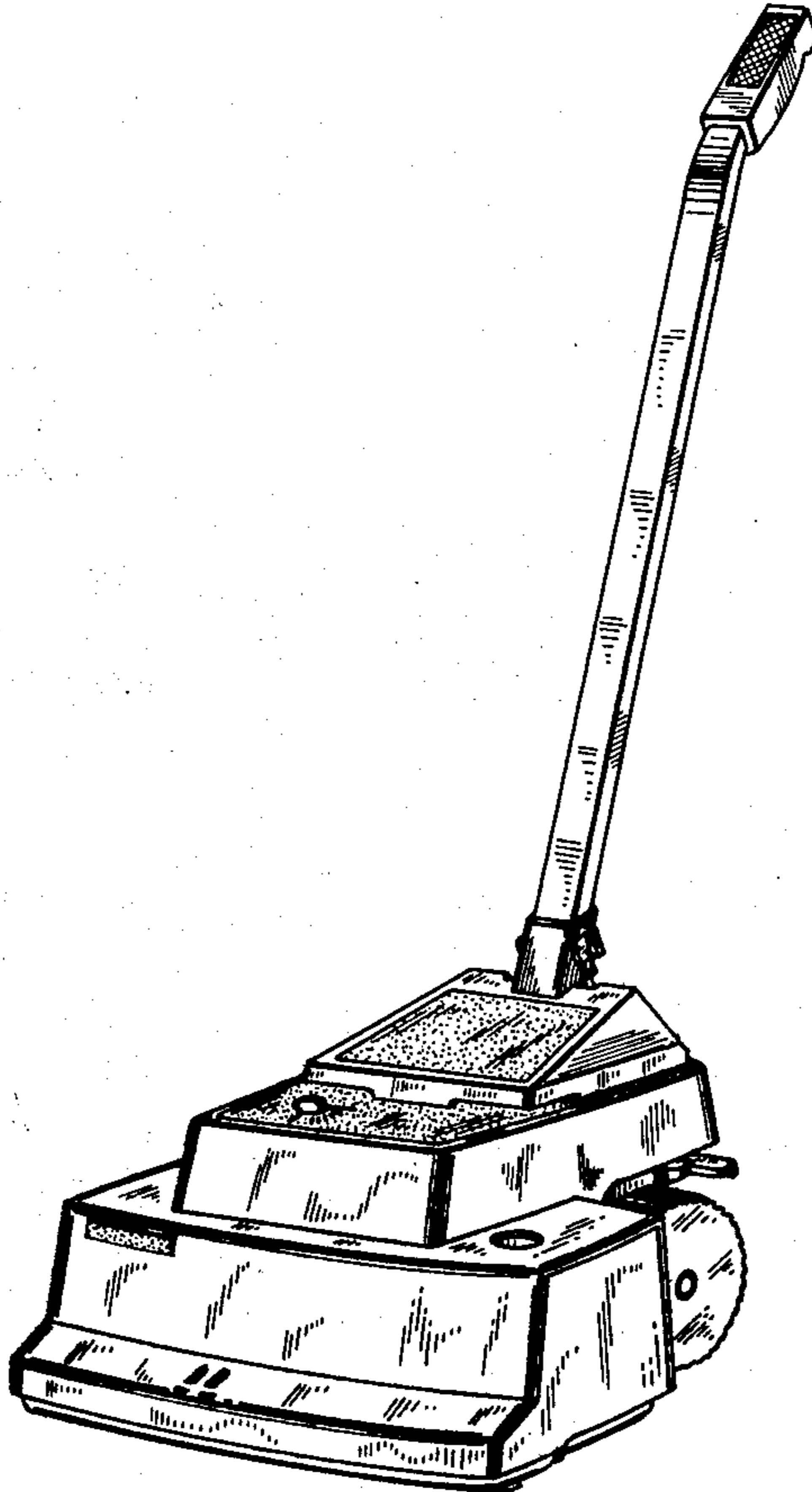
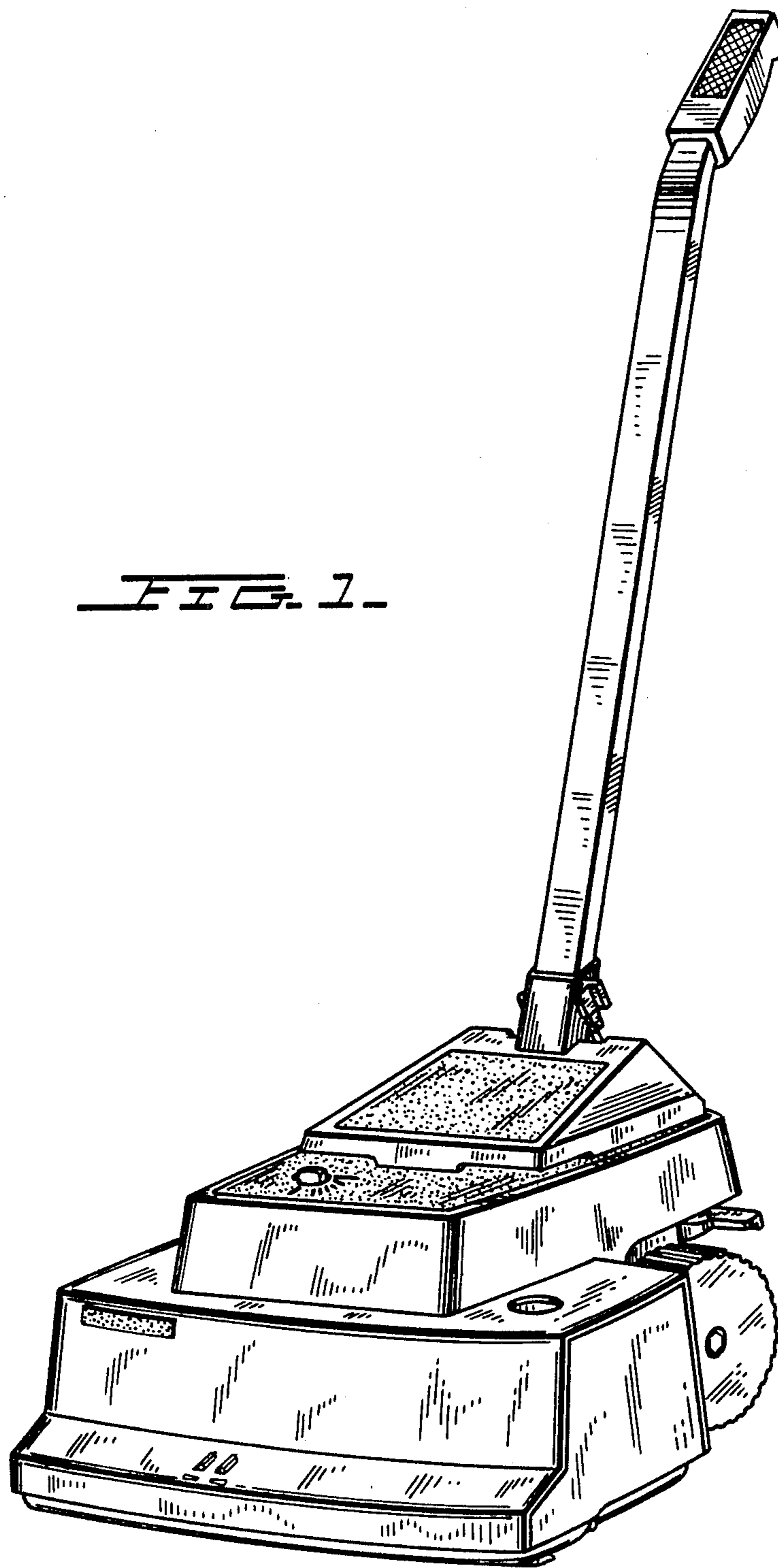


FIG. 1.



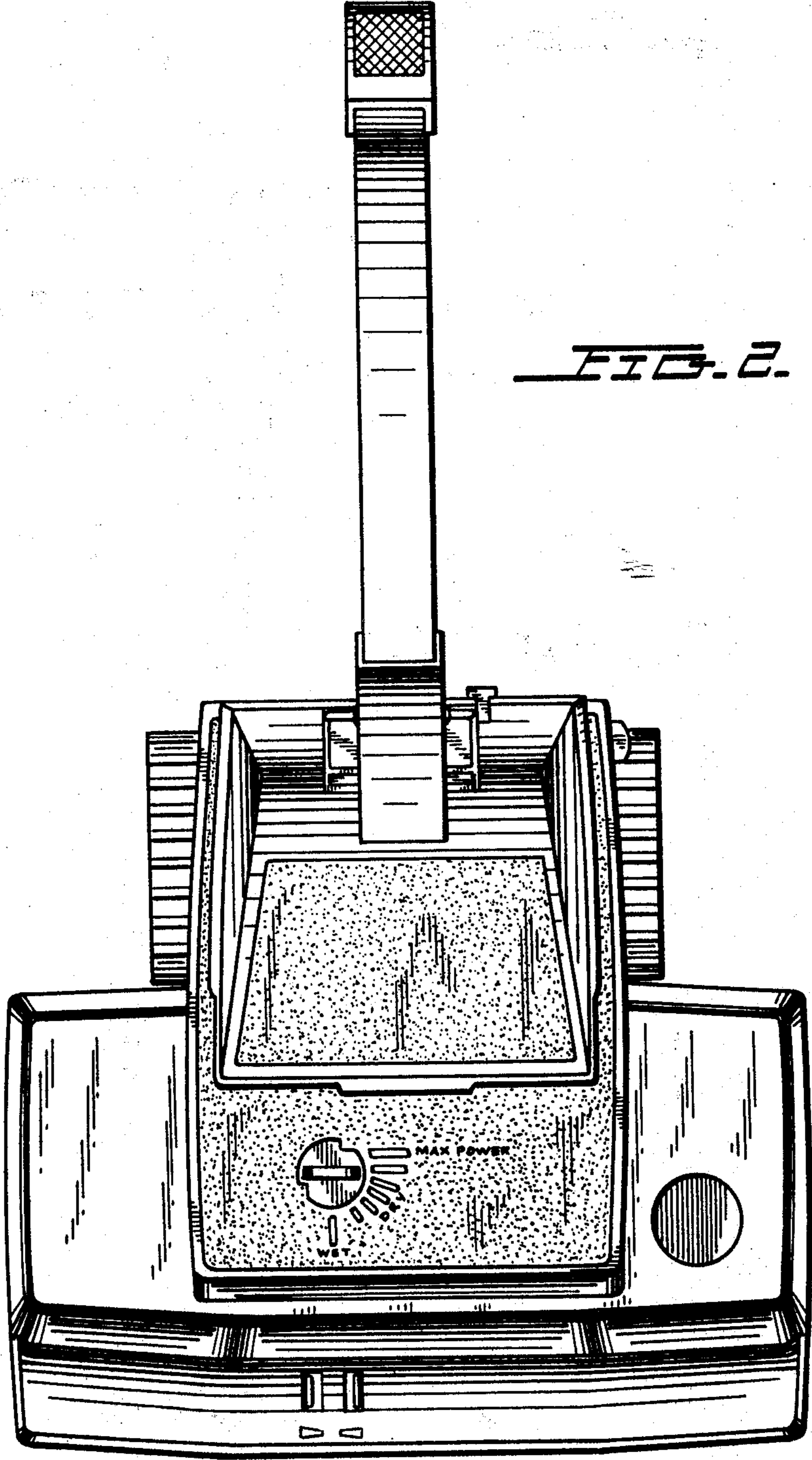


FIG. 3.

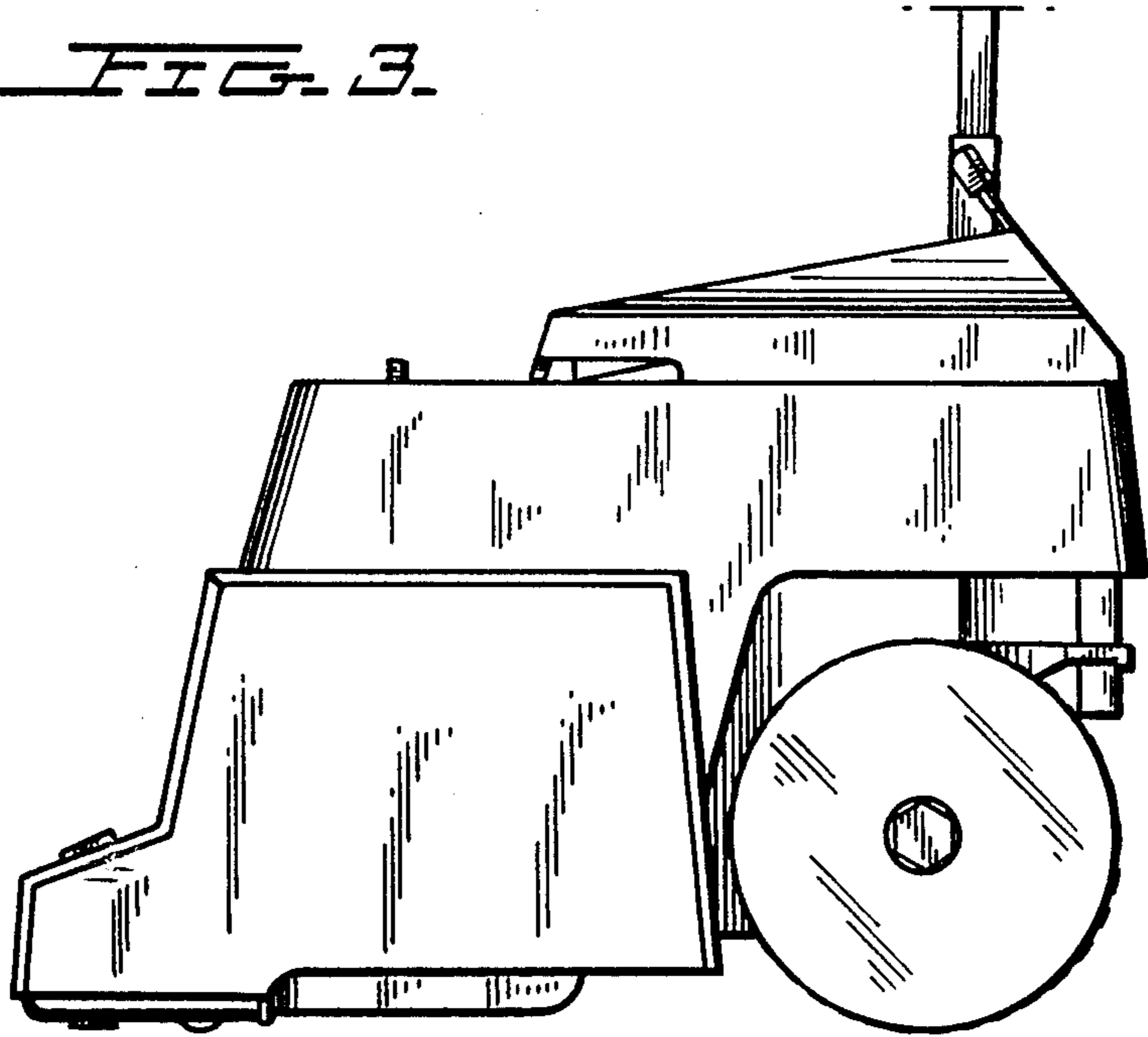
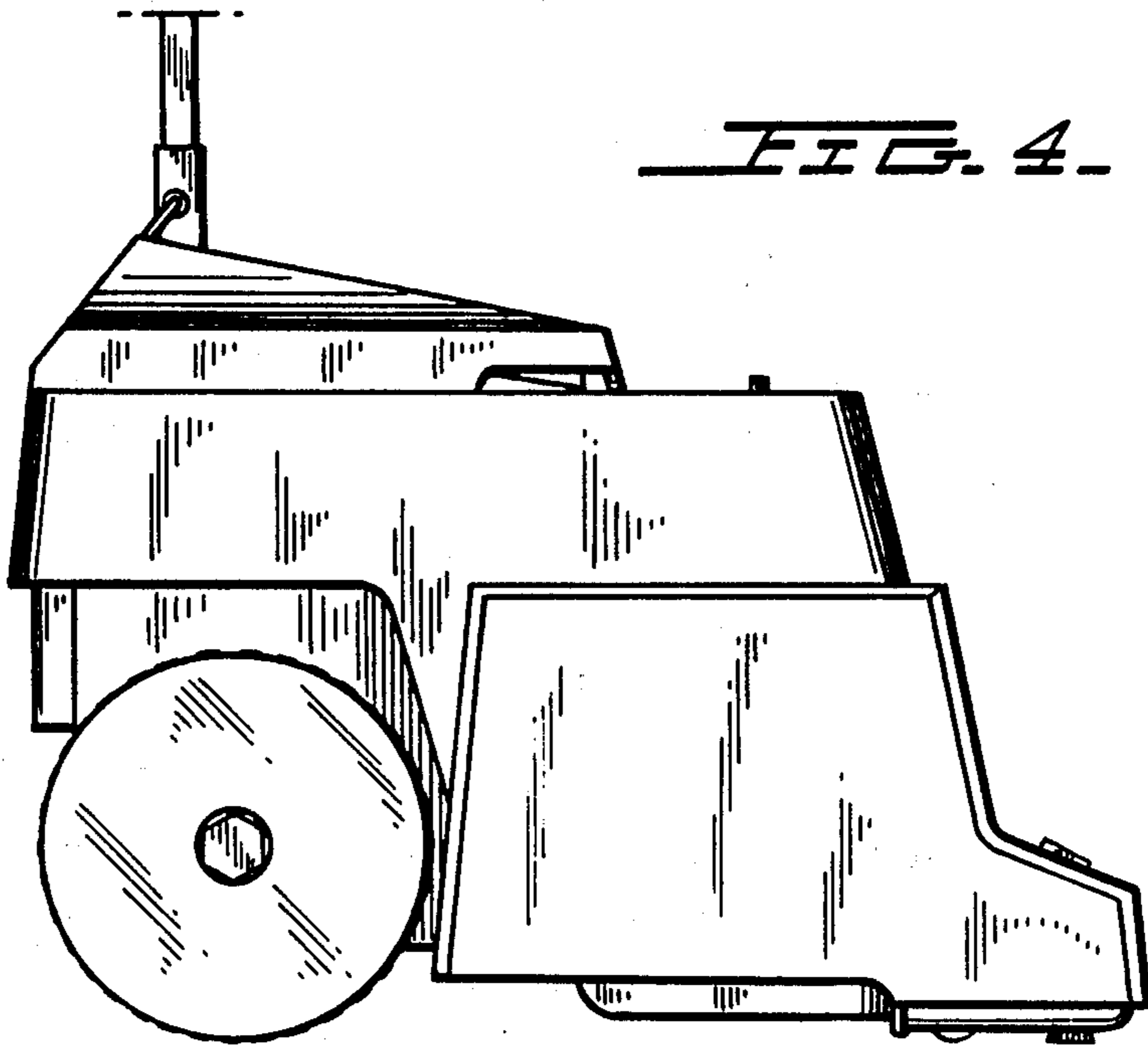


FIG. 4.



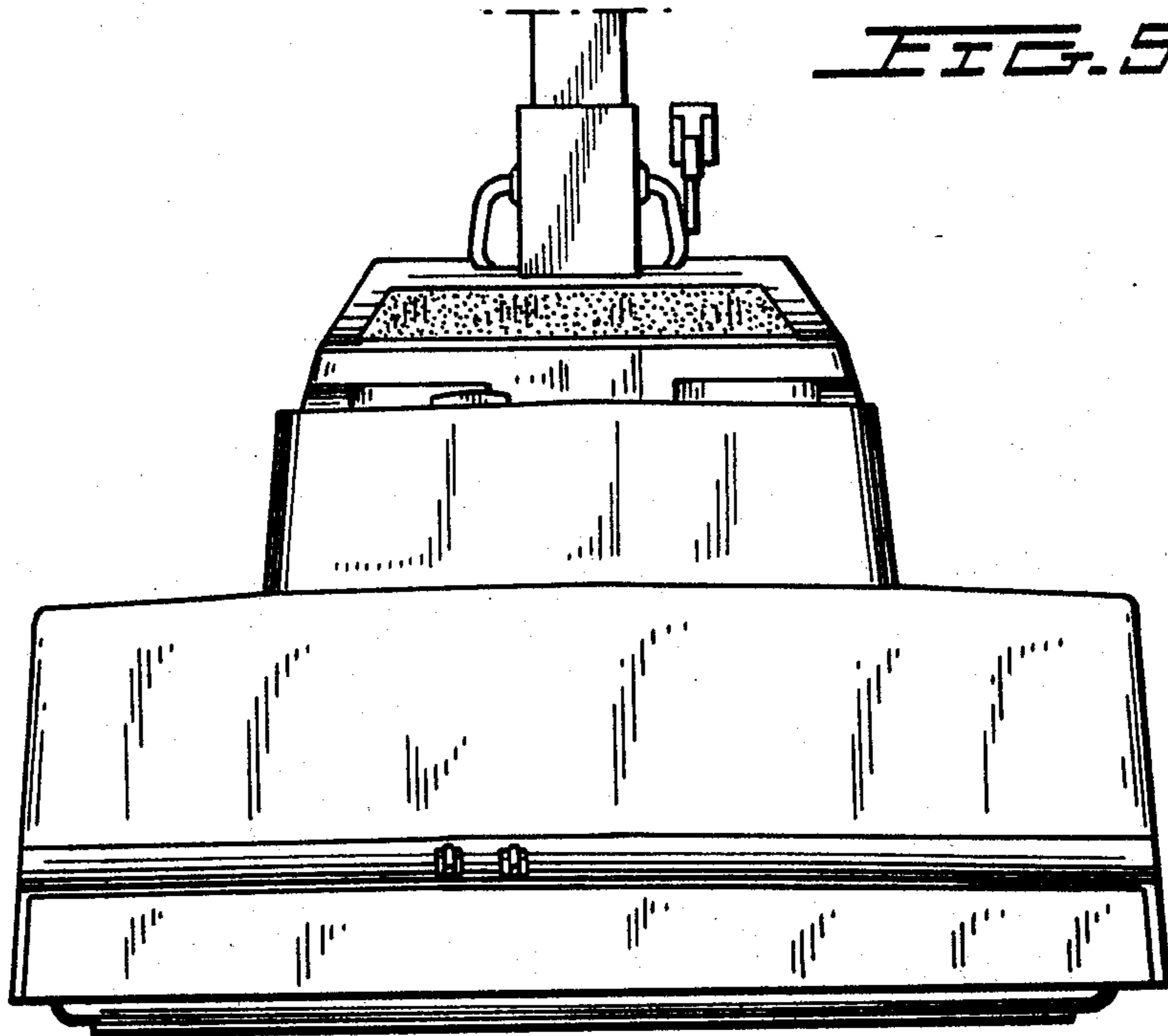


FIG. 5.

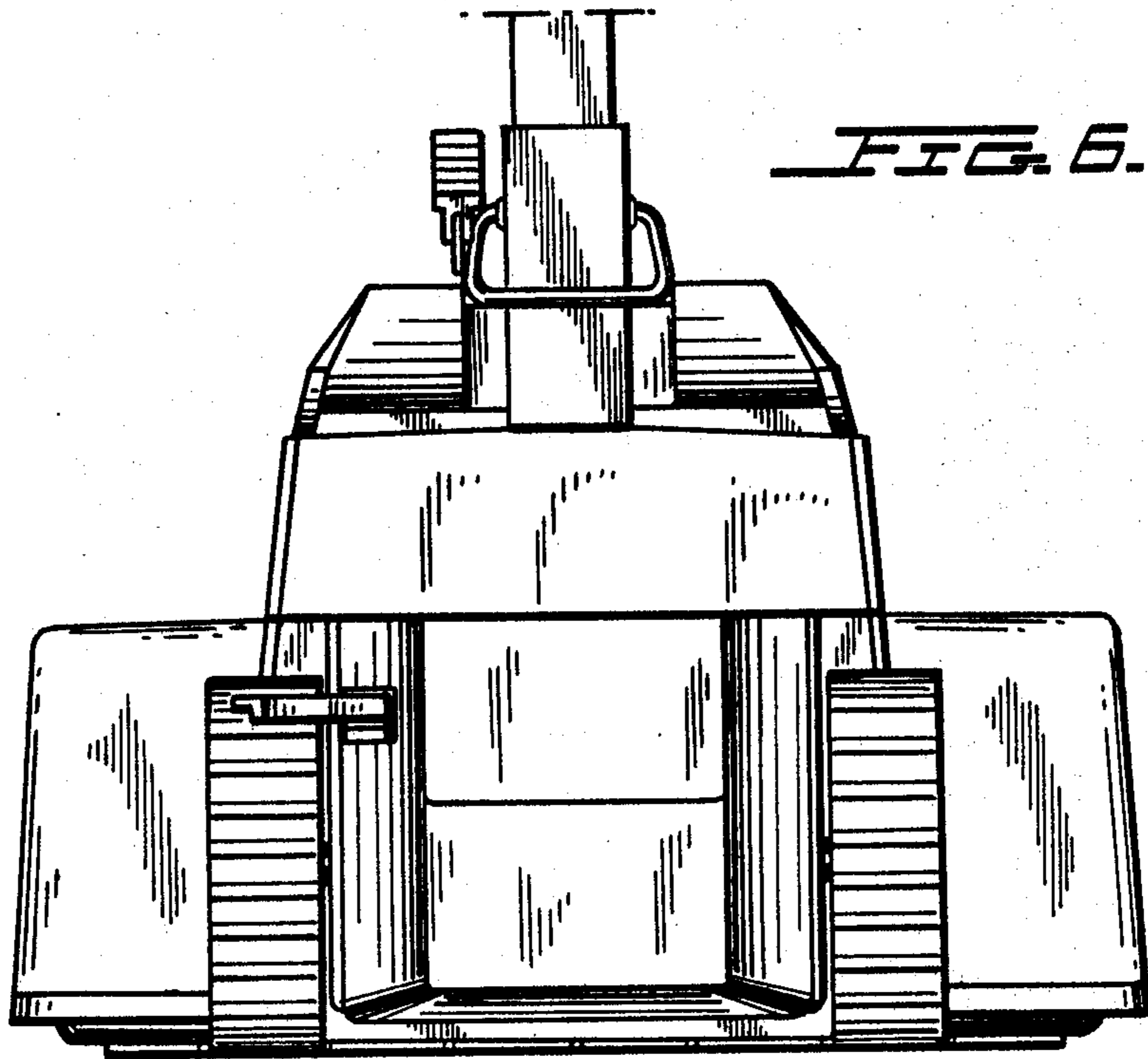


FIG. 6.

FIG. 7

