

United States Patent [19]

Boris

[11] Patent Number: **Des. 276,266**

[45] Date of Patent: **** Nov. 6, 1984**

- [54] **FETAL LUNG MATURATION TESTER**
- [75] Inventor: **Michael J. Boris, Yorba Linda, Calif.**
- [73] Assignee: **Beckman Instruments, Inc., Fullerton, Calif.**
- [**] Term: **14 Years**
- [21] Appl. No.: **367,303**
- [22] Filed: **Apr. 12, 1982**
- [52] U.S. Cl. **D24/8; D10/81; D24/17; D24/56**
- [58] Field of Search **D24/8, 17, 56; D10/81; 73/426, 429, 864.01; 128/762; 422/102, 104**

[56] **References Cited**

U.S. PATENT DOCUMENTS

- D. 256,053 7/1980 Steigerwald D24/56
- D. 264,127 4/1982 Peterson D24/56 X
- 3,785,773 1/1974 Rohrbaugh 422/102

- 3,905,772 9/1975 Harnett 422/102 X
- 4,195,060 3/1980 Terk 422/102 X
- 4,237,096 12/1980 Popoff 422/102
- 4,391,780 7/1983 Boris 422/102

Primary Examiner—Nelson C. Holtje
Attorney, Agent, or Firm—R. J. Steinmeyer; J. E. Vanderburgh; T. R. Schulte

[57] **CLAIM**

The ornamental design for a fetal lung maturation tester, as shown.

DESCRIPTION

FIG. 1 is a top left front perspective view of a fetal lung maturation tester showing my new design; FIG. 2 is a top plan view thereof; FIG. 3 is a bottom plan view thereof; FIG. 4 is a front elevational view thereof; FIG. 5 is a right side elevational view thereof; FIG. 6 is a rear elevational view thereof; and FIG. 7 is a left side elevational view thereof.

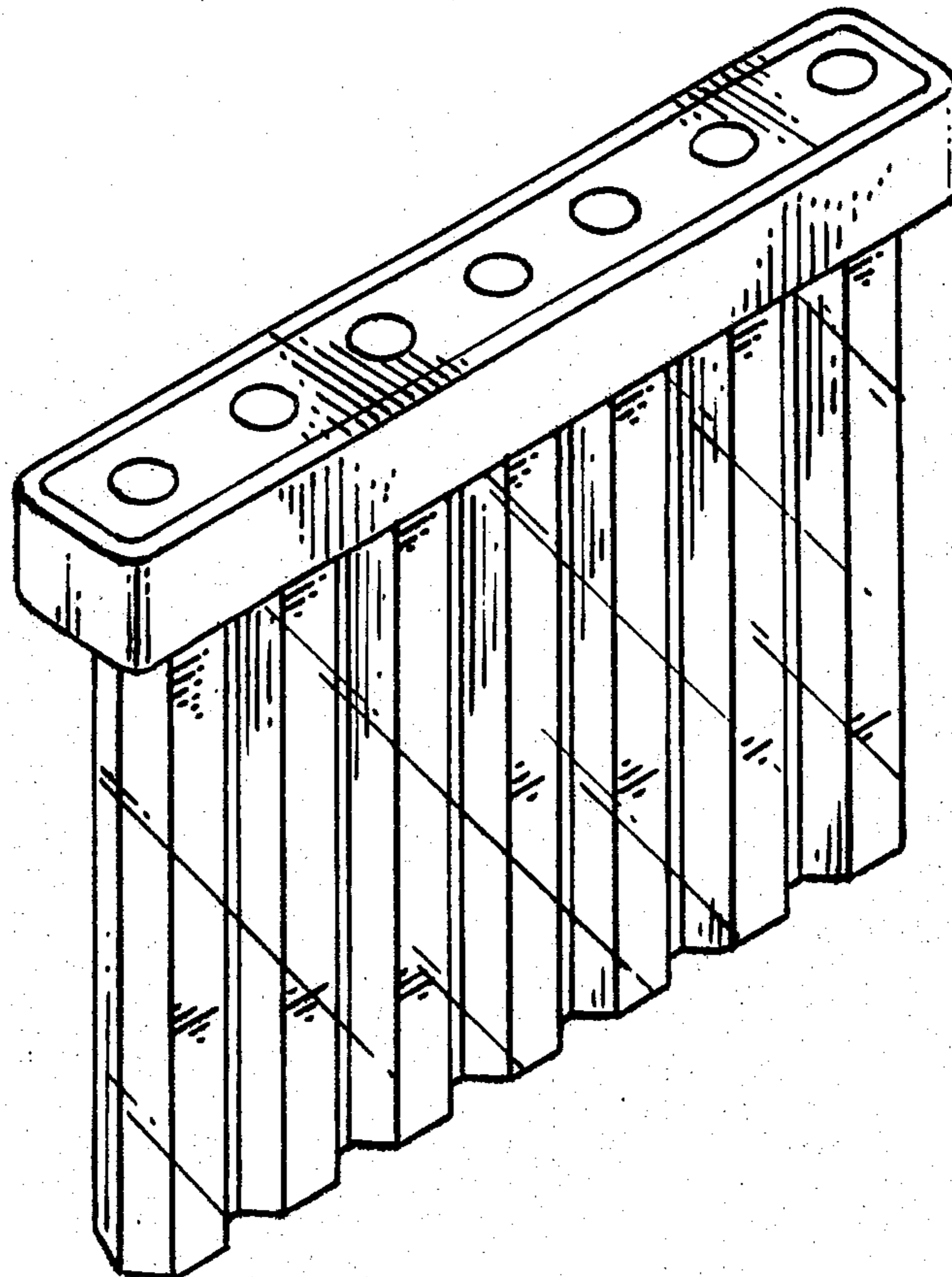


FIG. 1.

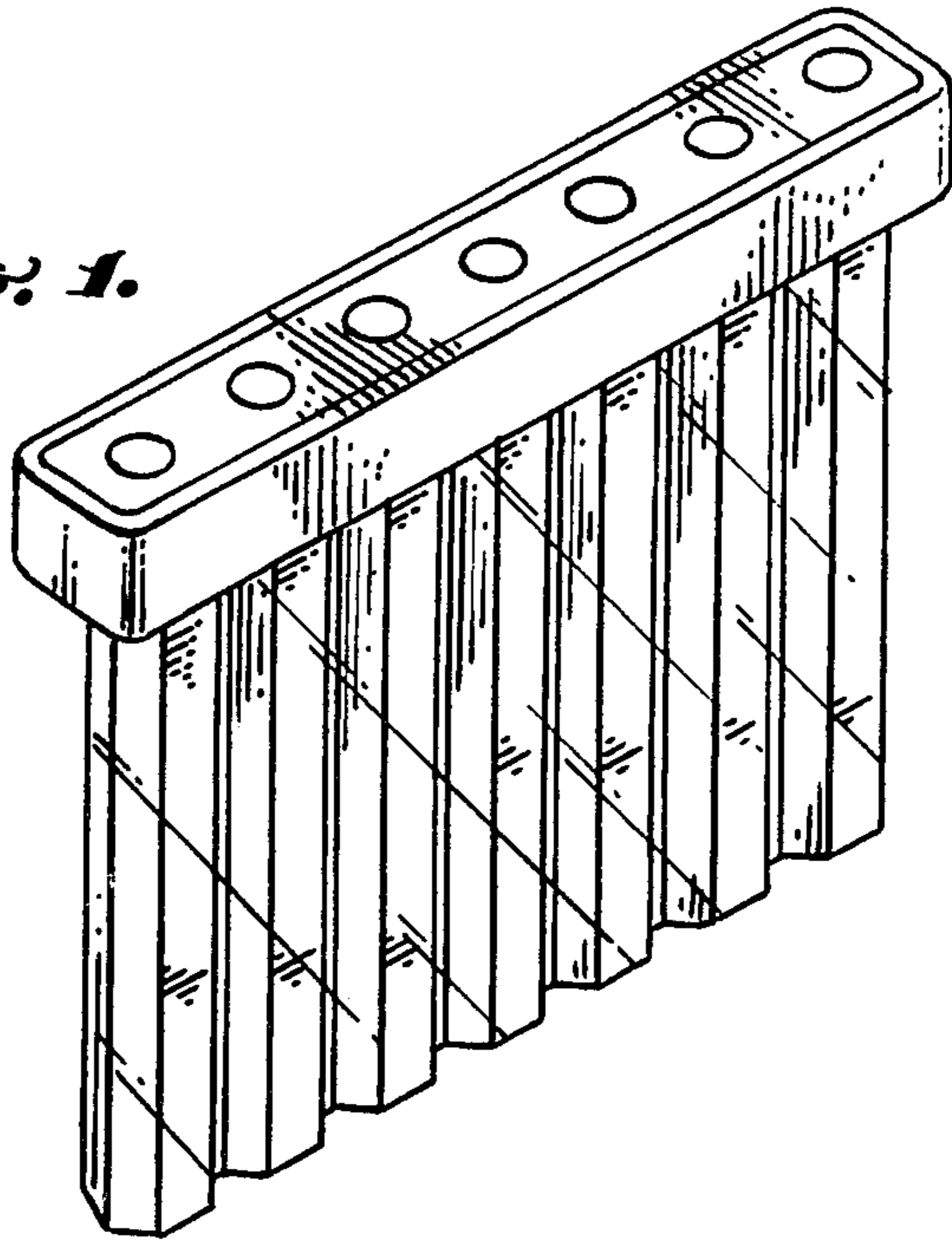


FIG. 2.

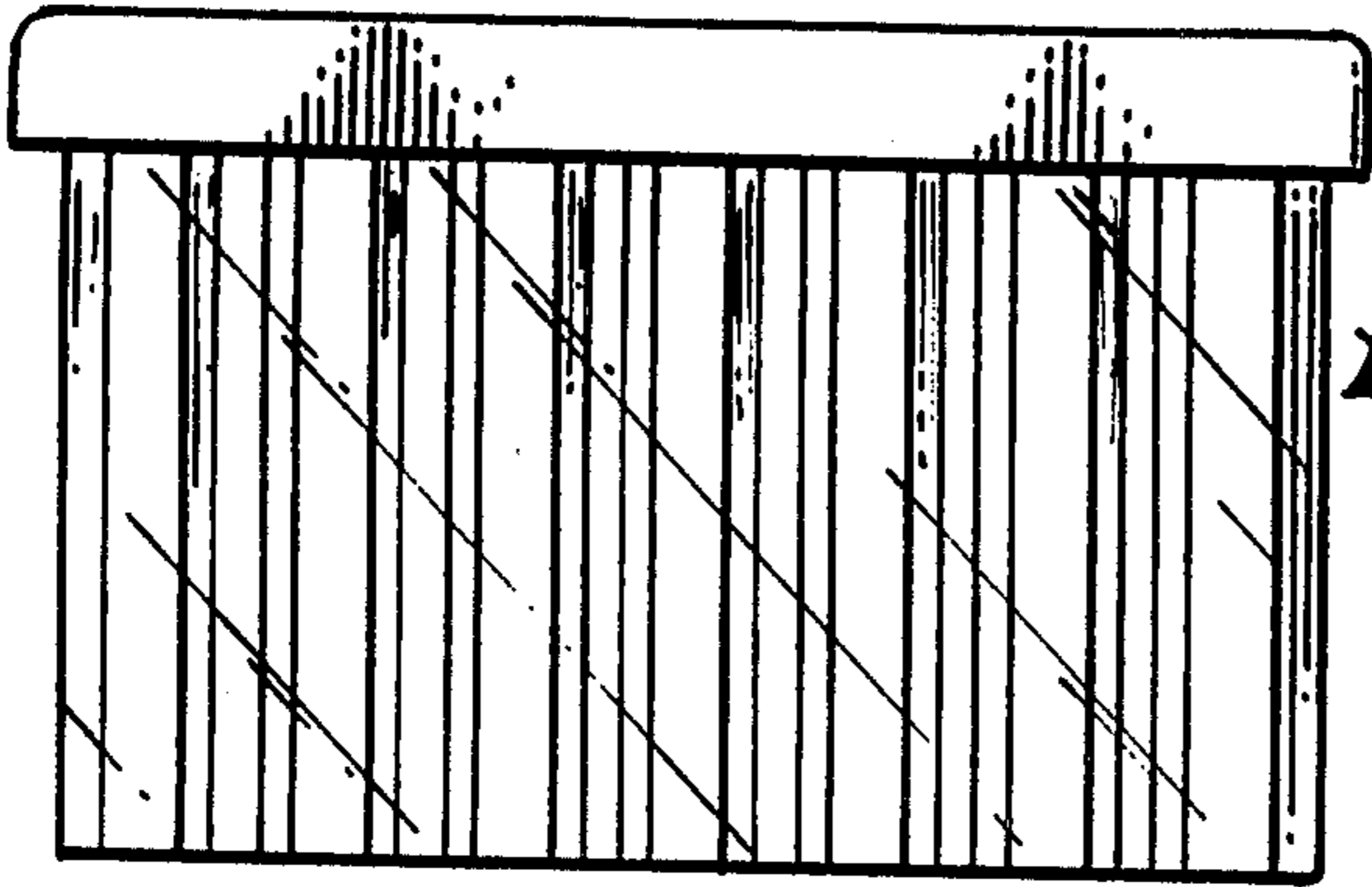
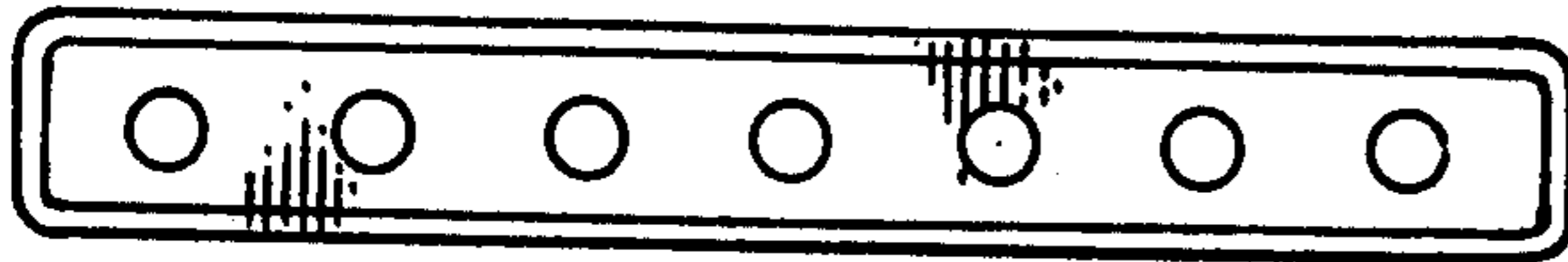


FIG. 4.

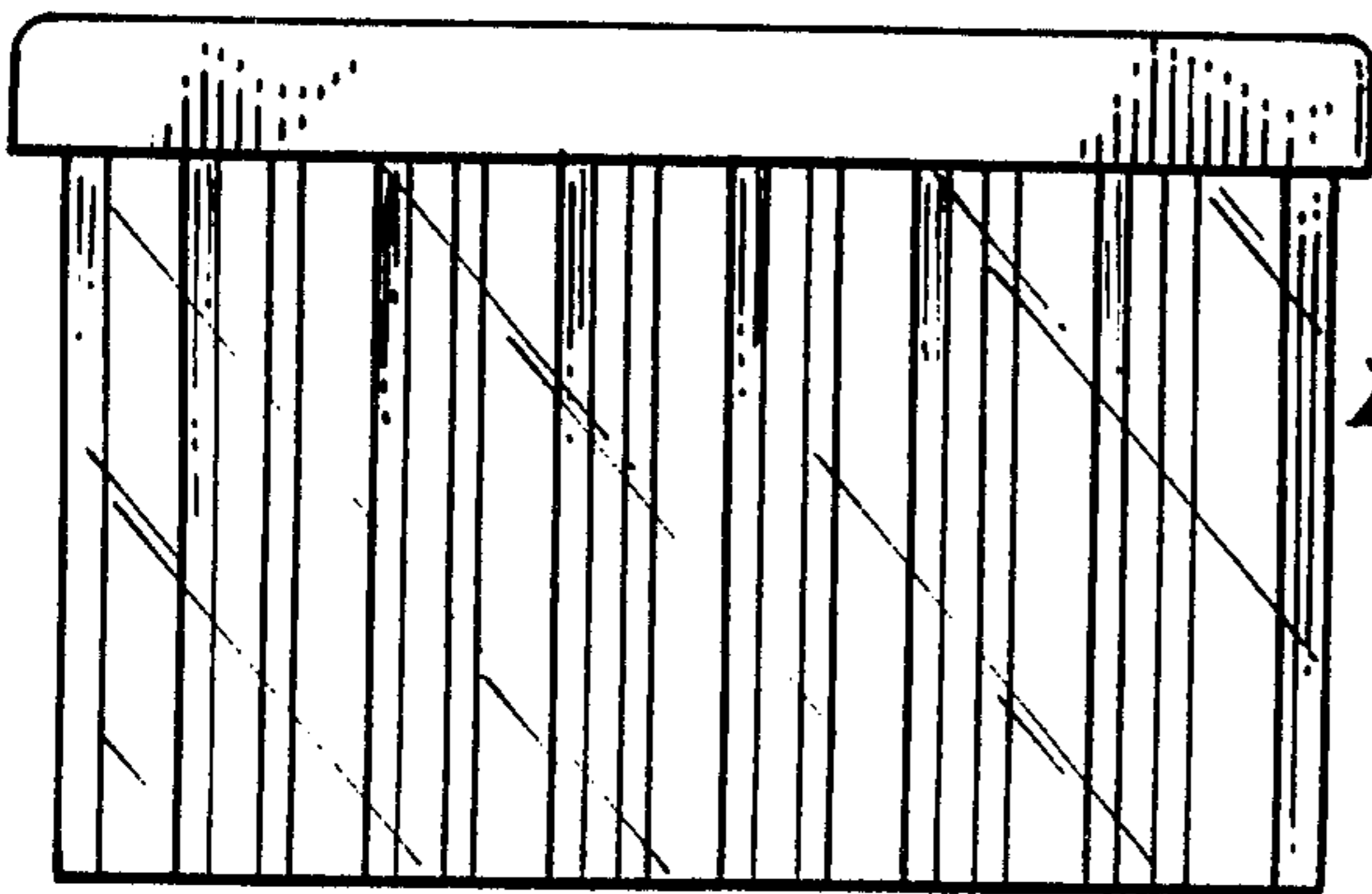


FIG. 6.

FIG. 3.



FIG. 5.

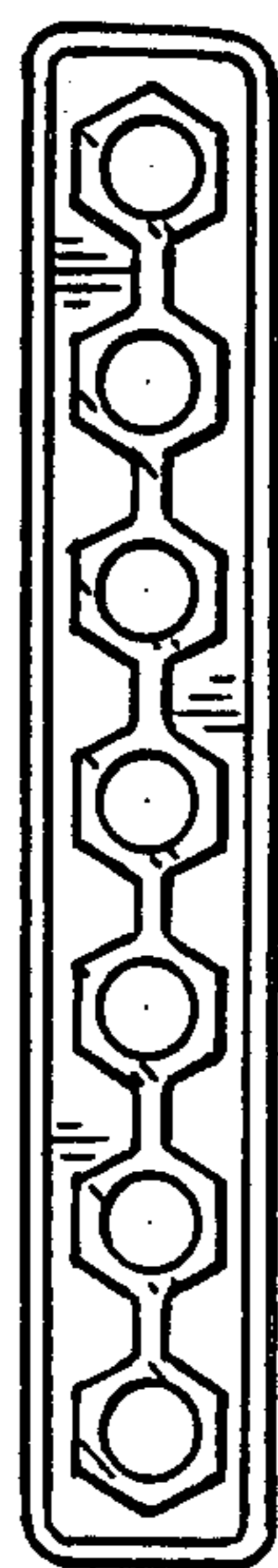


FIG. 7.

