

United States Patent [19]

Nilsson et al.

[11] Patent Number: **Des. 276,262**

[45] Date of Patent: **** Nov. 6, 1984**

[54] AIR INTAKE ASSEMBLY

[76] Inventors: **Gösta Nilsson**, Box 7, S-360 32
Gemla; Hans Lundin,
Gyllenhammars v. 24B, S-302 41
Halmstad, both of Sweden

[**] Term: **14 Years**

[21] Appl. No.: **327,468**

[22] Filed: **Dec. 4, 1981**

[30] Foreign Application Priority Data

Jun. 11, 1981 [SE] Sweden 81-1352
[52] U.S. Cl. **D23/151**
[58] Field of Search D23/139, 151, 152, 153,
D23/154; 98/40 C, 98, 99.8

[56] References Cited

U.S. PATENT DOCUMENTS

647,572 4/1900 Miller 98/98
905,241 12/1908 Shea 98/98

2,599,823 6/1952 Gillen 98/99.8
3,081,689 3/1963 Bell 98/40 C
3,389,648 6/1968 Larkfeldt et al. 98/40 C
3,530,782 9/1970 Ardussi 98/40 C

FOREIGN PATENT DOCUMENTS

1527197 4/1968 France 98/40.19
571735 9/1945 United Kingdom 98/40.19

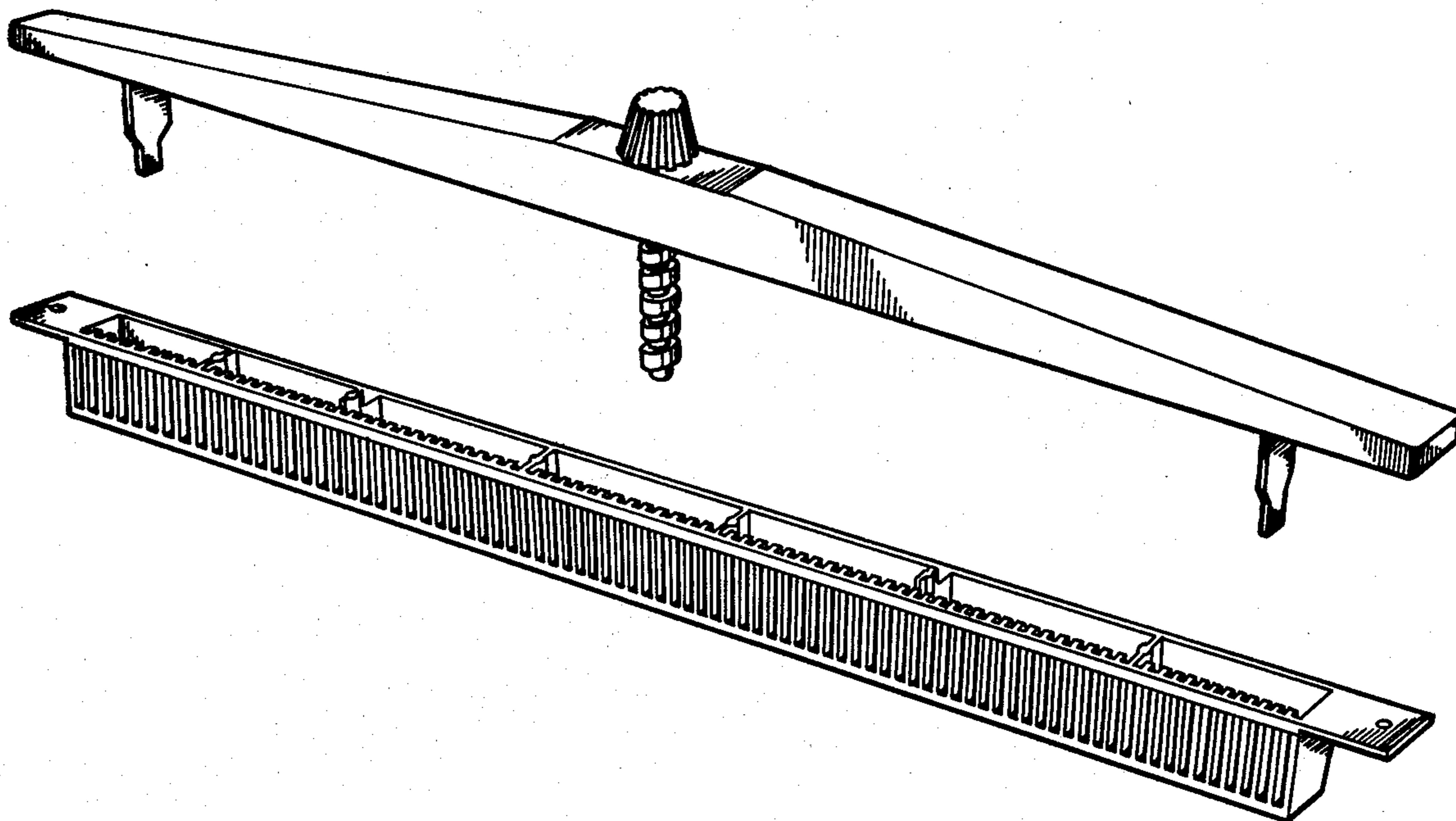
Primary Examiner—Wallace R. Burke
Assistant Examiner—Suzanne N. Gitlin
Attorney, Agent, or Firm—Oblon, Fisher, Spivak,
McClelland & Maier

[57] **CLAIM**

The ornamental design for an air intake assembly, as shown.

DESCRIPTION

FIG. 1 is an exploded top front perspective view of an intake assembly showing our new design;
FIG. 2 is an exploded bottom rear perspective view thereof.



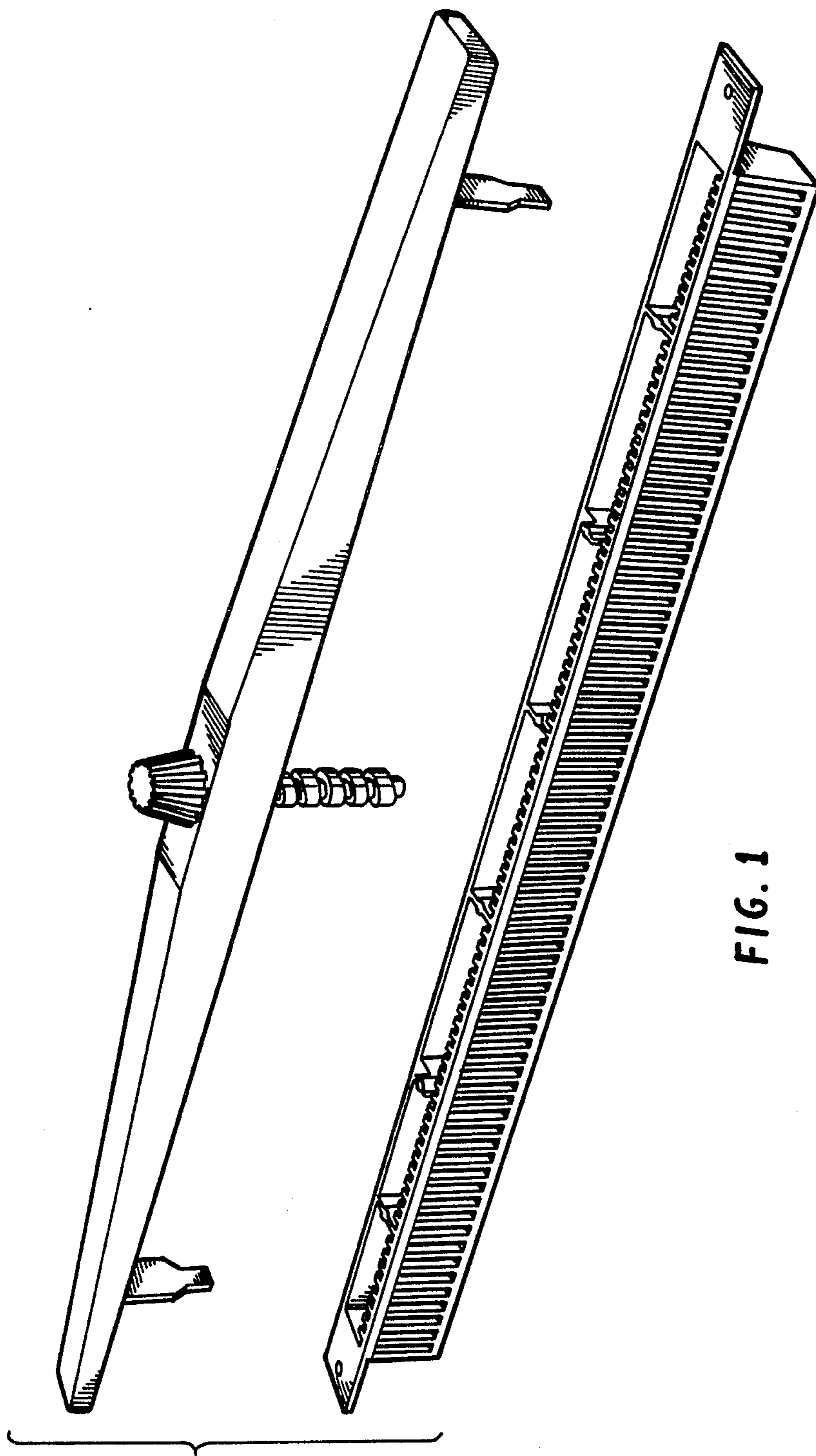


FIG. 1

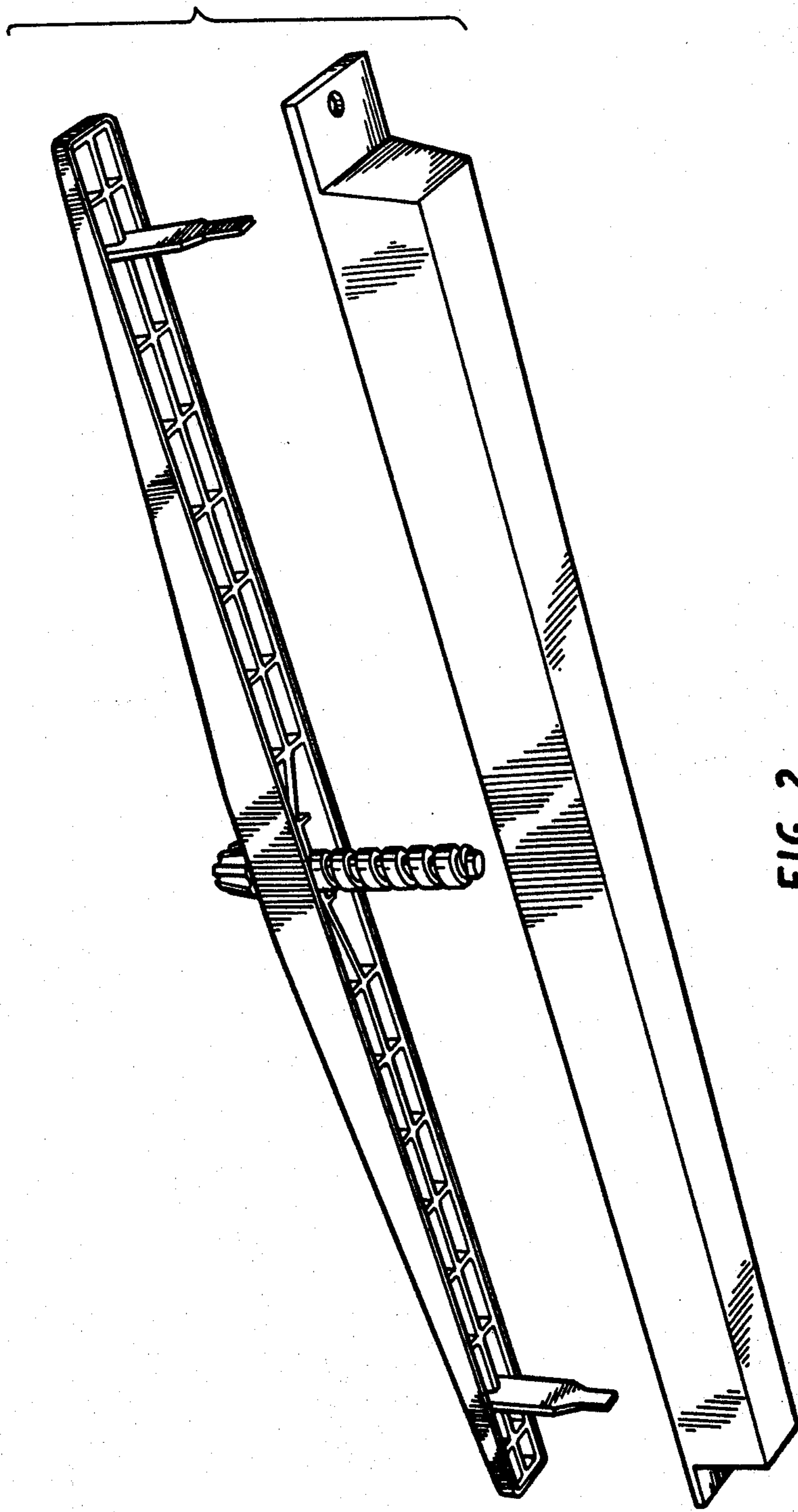


FIG. 2