

**United States Patent** [19]  
**Robbins**

[11] **Patent Number: Des. 276,254**

[45] **Date of Patent: \*\* Nov. 6, 1984**

[54] **FISHING REEL**

4,331,303 5/1982 Moss ..... 242/84.2 A

[75] **Inventor: Richard J. Robbins, Derby, Kans.**

*Primary Examiner*—A. Hugo Word  
*Attorney, Agent, or Firm*—John G. Heimovics

[73] **Assignee: Brunswick Corporation, Skokie, Ill.**

[57] **CLAIM**

[\*\*] **Term: 14 Years**

The ornamental design of a fishing reel, as shown and described.

[21] **Appl. No.: 435,146**

[22] **Filed: Oct. 25, 1982**

[52] **U.S. Cl. .... D22/25**

[58] **Field of Search ..... 242/84.1 R, 84.2 R,  
242/84.2 A; D22/25, 26**

**DESCRIPTION**

FIG. 1 is a perspective view of a front and side portion of the fishing reel showing my new design;  
FIG. 2 is a front elevation view thereof;  
FIG. 3 is a top plan view thereof;  
FIG. 4 is a side elevation view thereof;  
FIG. 5 is a back elevation view thereof;  
FIG. 6 is a bottom plan view thereof; and,  
FIG. 7 is a side elevation view opposite to the view shown in FIG. 4.

[56] **References Cited**

**U.S. PATENT DOCUMENTS**

D. 226,850 5/1973 Hull ..... D22/25  
3,794,264 2/1974 Hull ..... 242/84.2 R

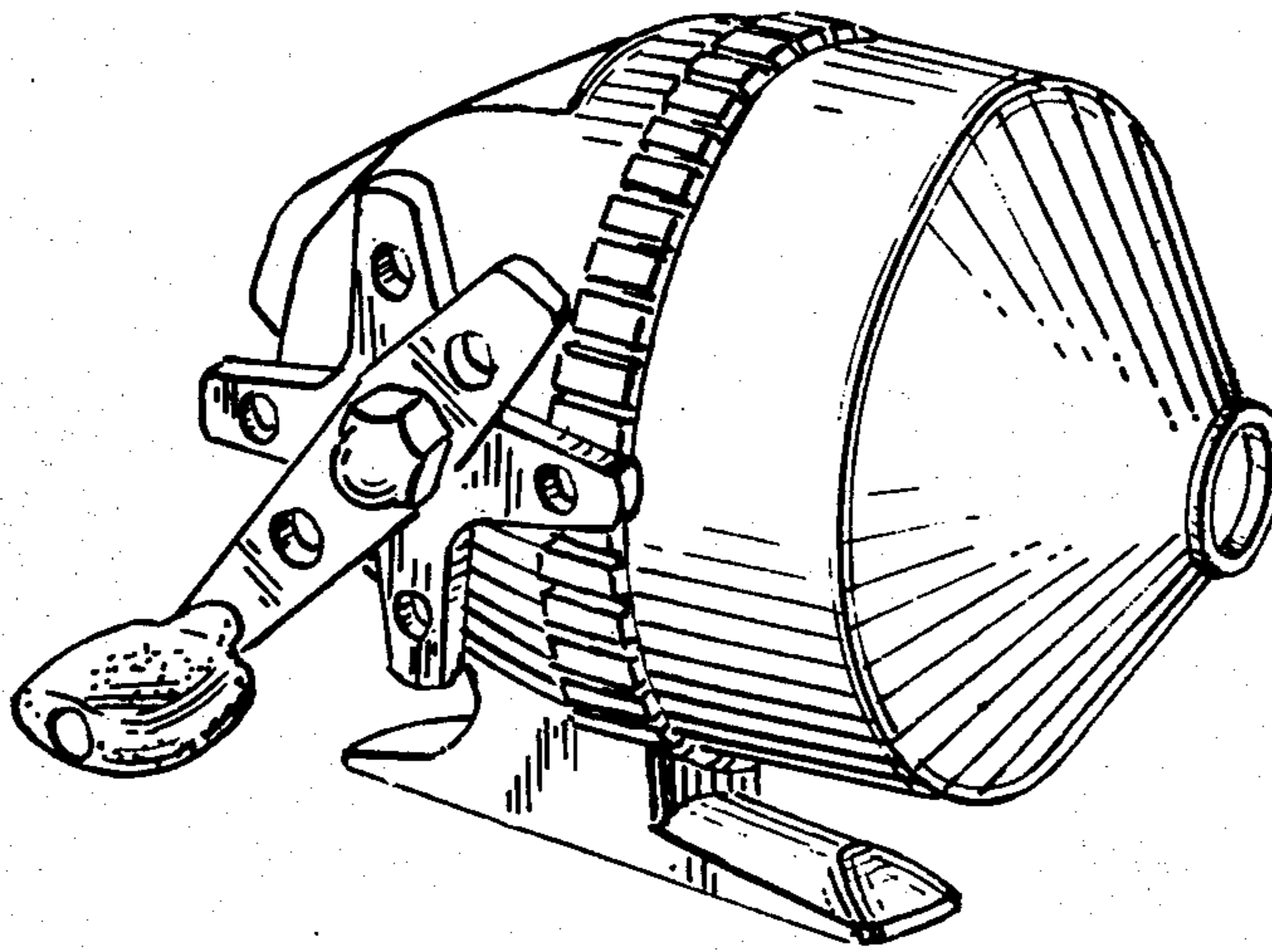


FIG. 1

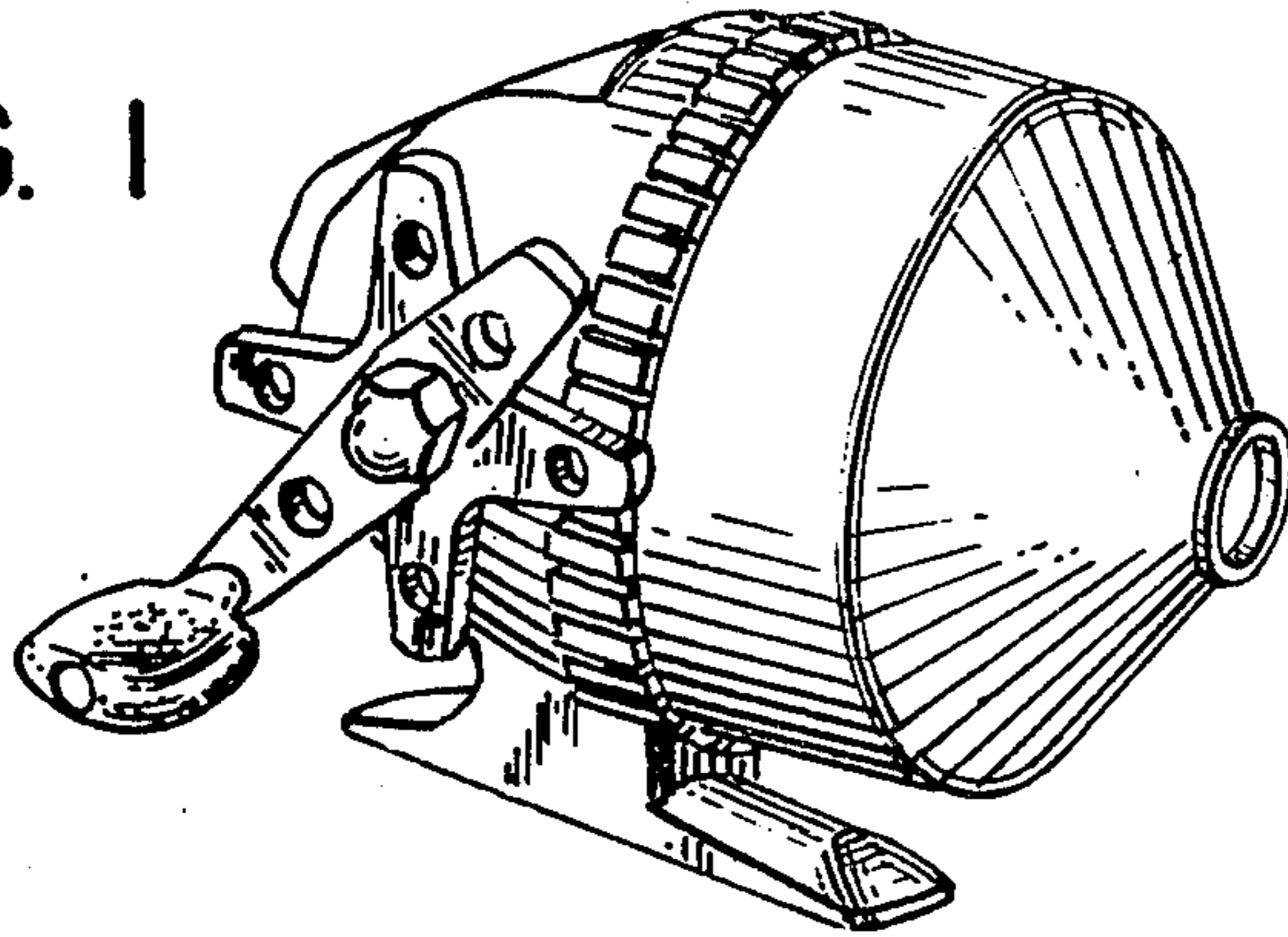


FIG. 2

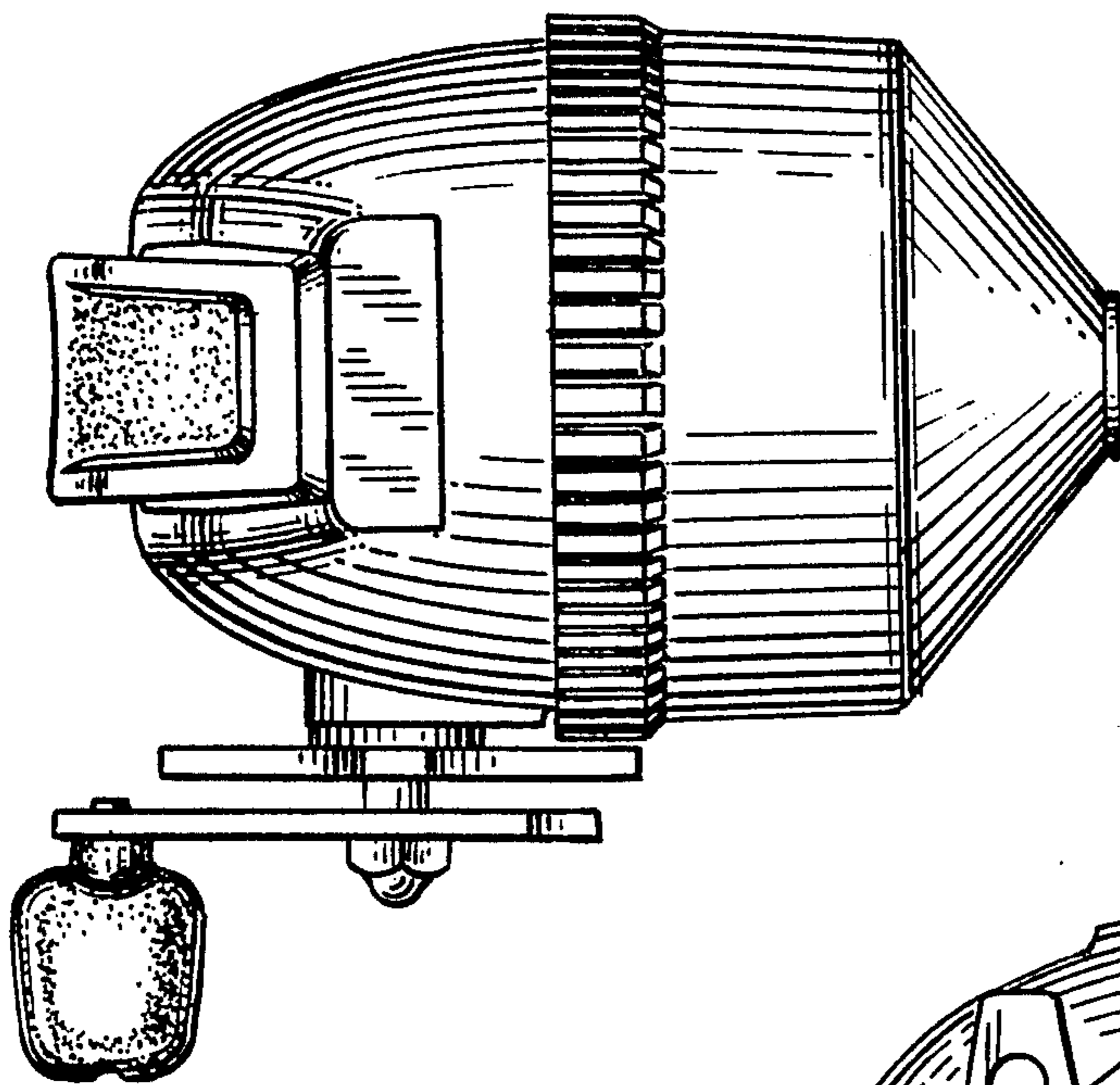
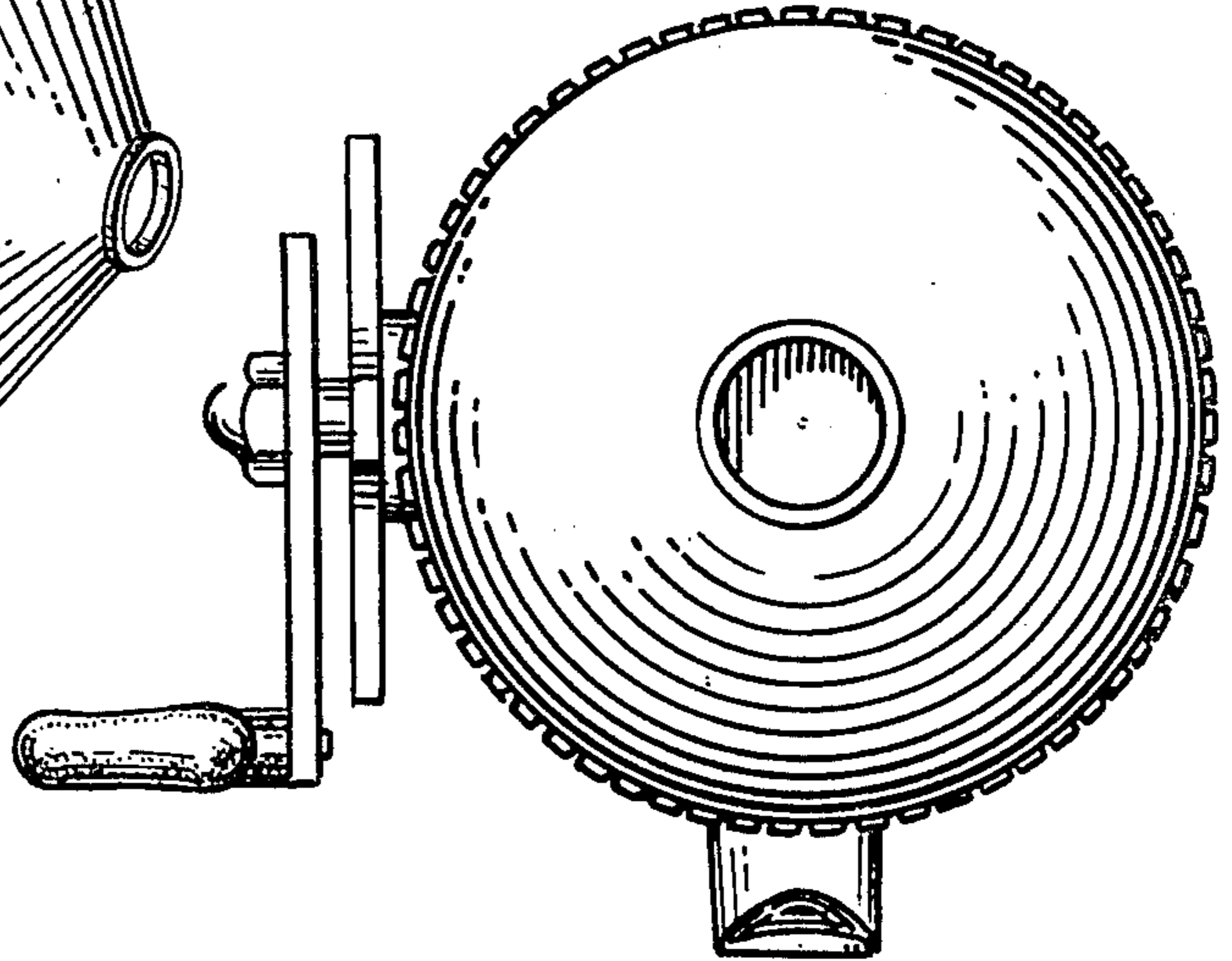
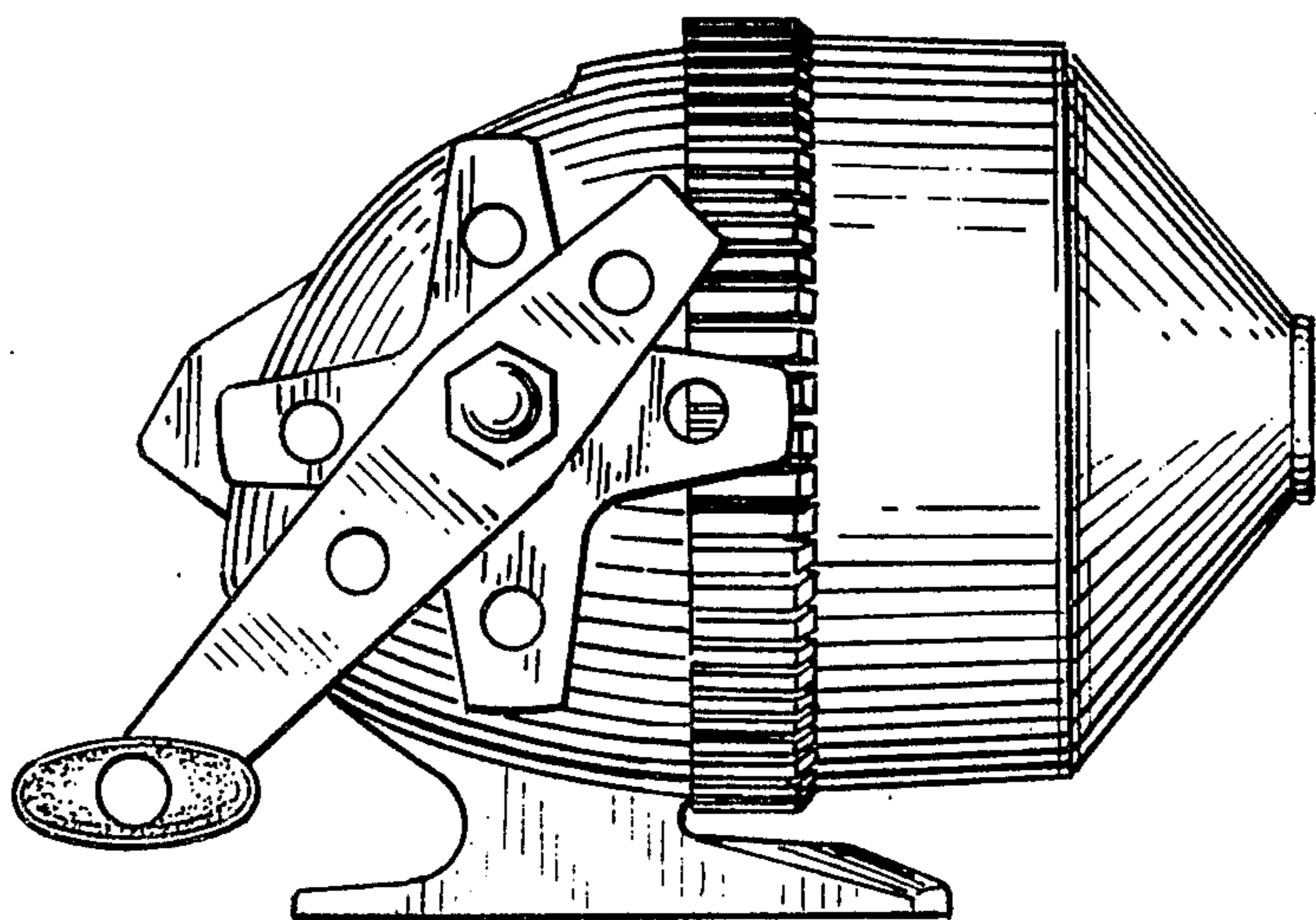


FIG. 3

FIG. 4



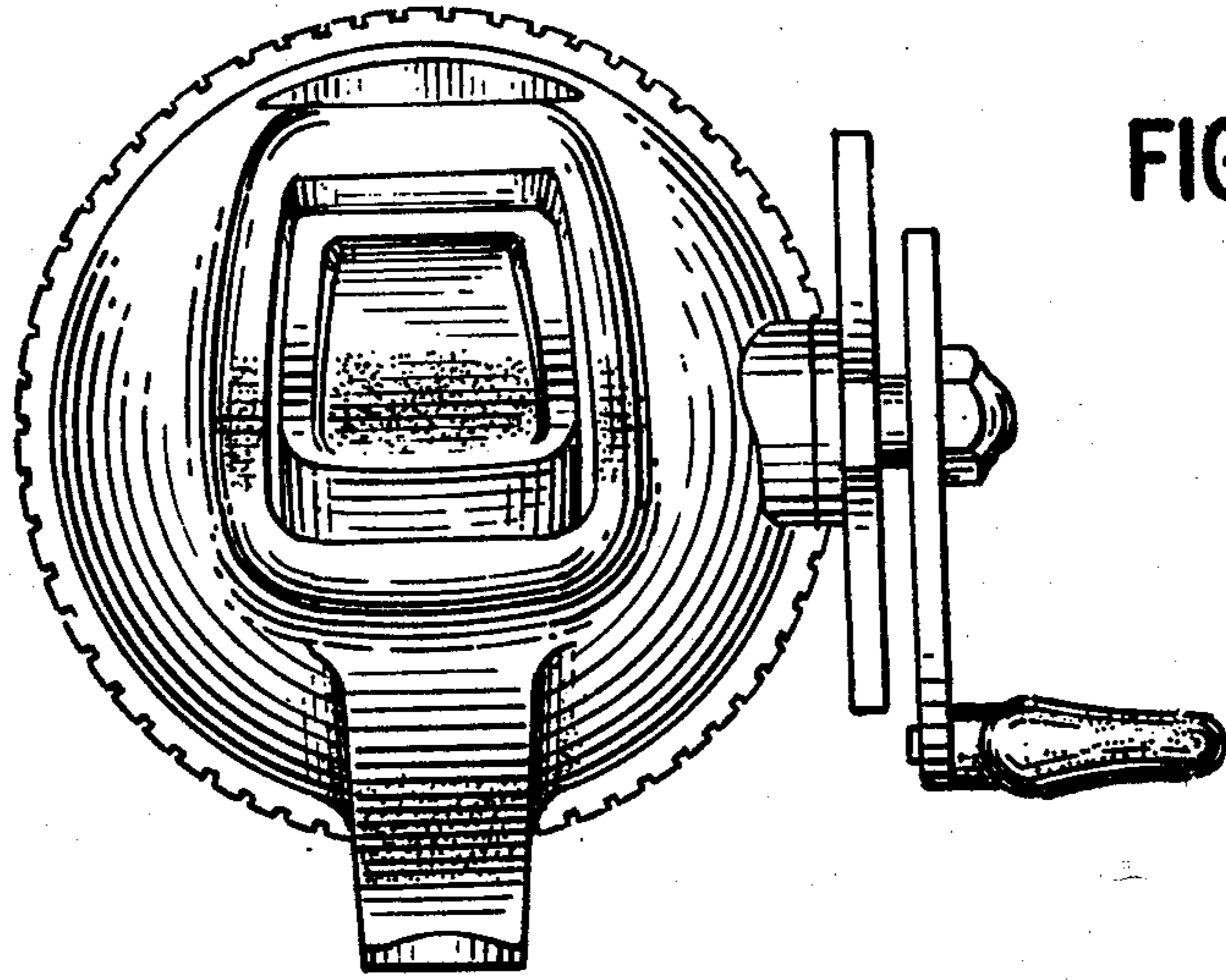


FIG. 5

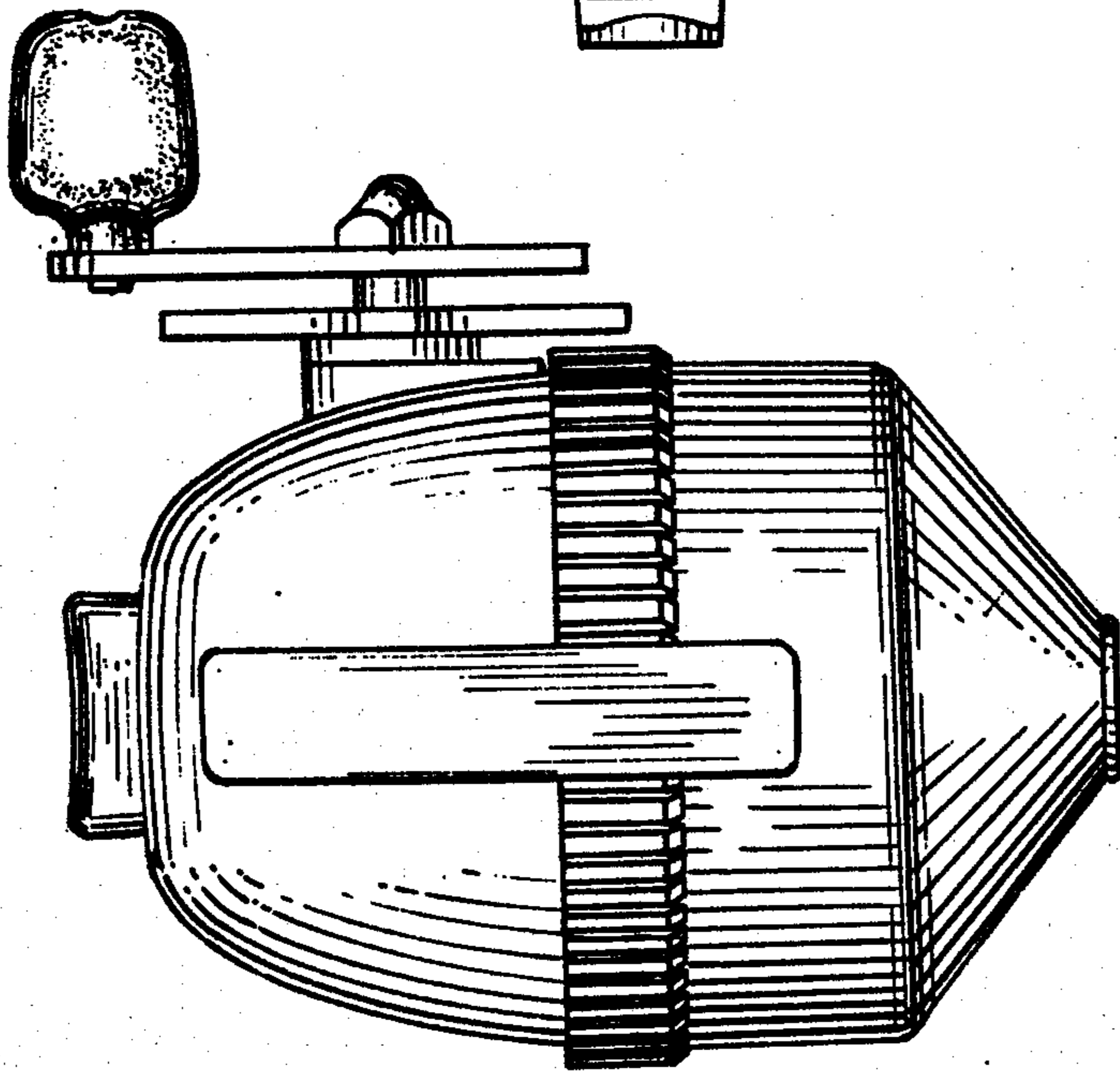


FIG. 6

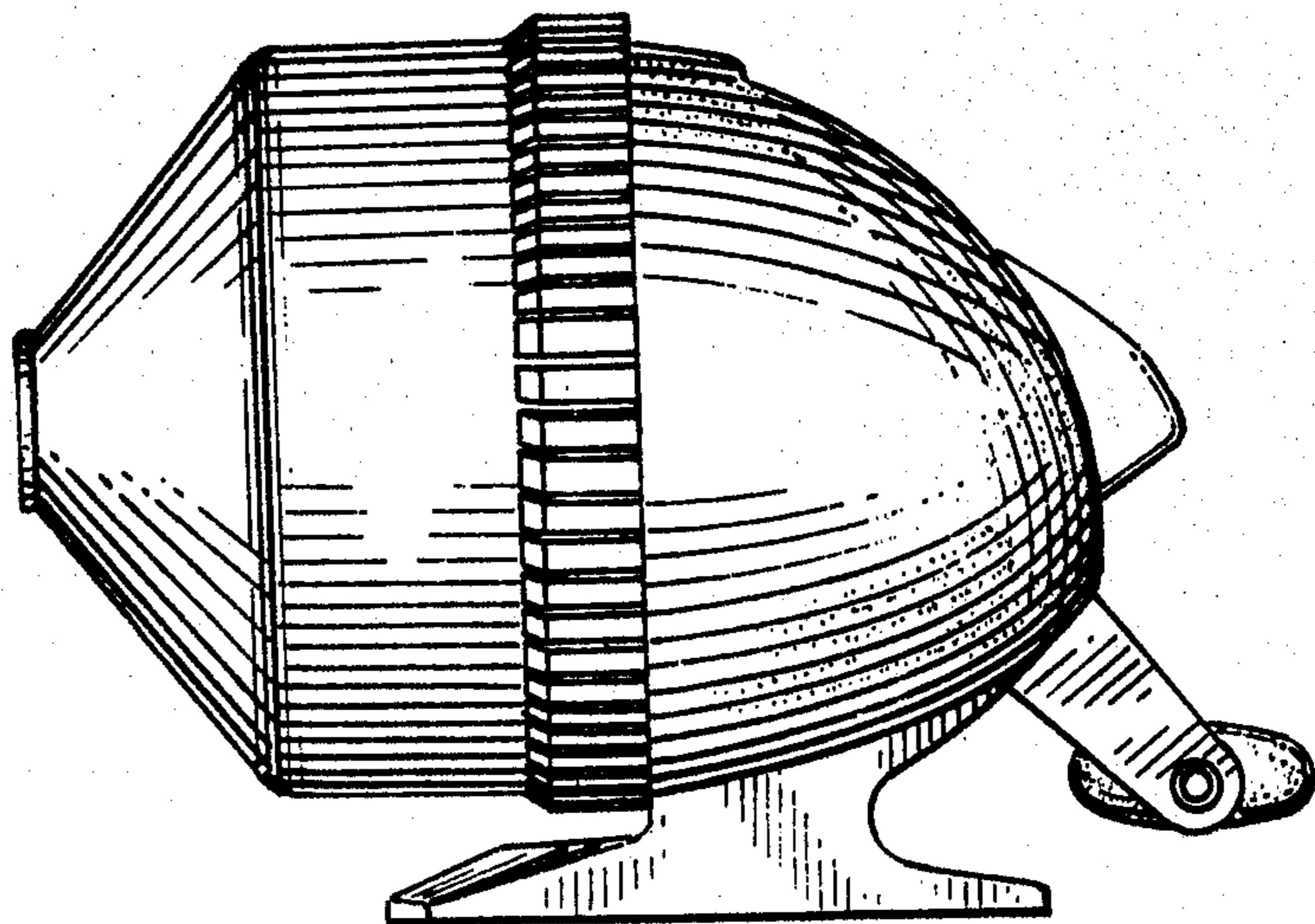


FIG. 7