

[54] REFLECTING MIRROR PHOTO TITLER APPARATUS

[76] Inventor: George M. Yamamoto, 4650 Proctor Rd., Castro Valley, Calif. 94546

[**] Term: 14 Years

[21] Appl. No.: 437,807

[22] Filed: Oct. 29, 1982

[52] U.S. Cl. D16/38; D16/26

[58] Field of Search D16/11-12, D16/14-16, 18, 20, 38, 24, 43, 26, 32; 40/361, 367; 350/133, 140; 352/89, 90, 4; 353/28-37; 354/77, 110, 202 FF, 290-291; 355/39, 43

[56] References Cited

U.S. PATENT DOCUMENTS

D. 175,401	8/1955	Gottschalk	D16/26
1,358,110	11/1920	Presicce	352/89
1,418,033	5/1922	Sutcliffe	354/291 X
2,336,508	12/1943	Smith	352/89 X

2,402,822	6/1946	Kraft	354/291 X
2,727,427	12/1955	Jenkins	353/28 X
2,934,601	4/1960	Oppenheimer	353/30 X
4,183,644	1/1980	Tureck	354/291 X
4,350,419	9/1982	Bowen	355/39 X
4,429,947	2/1984	Benton	40/361 X

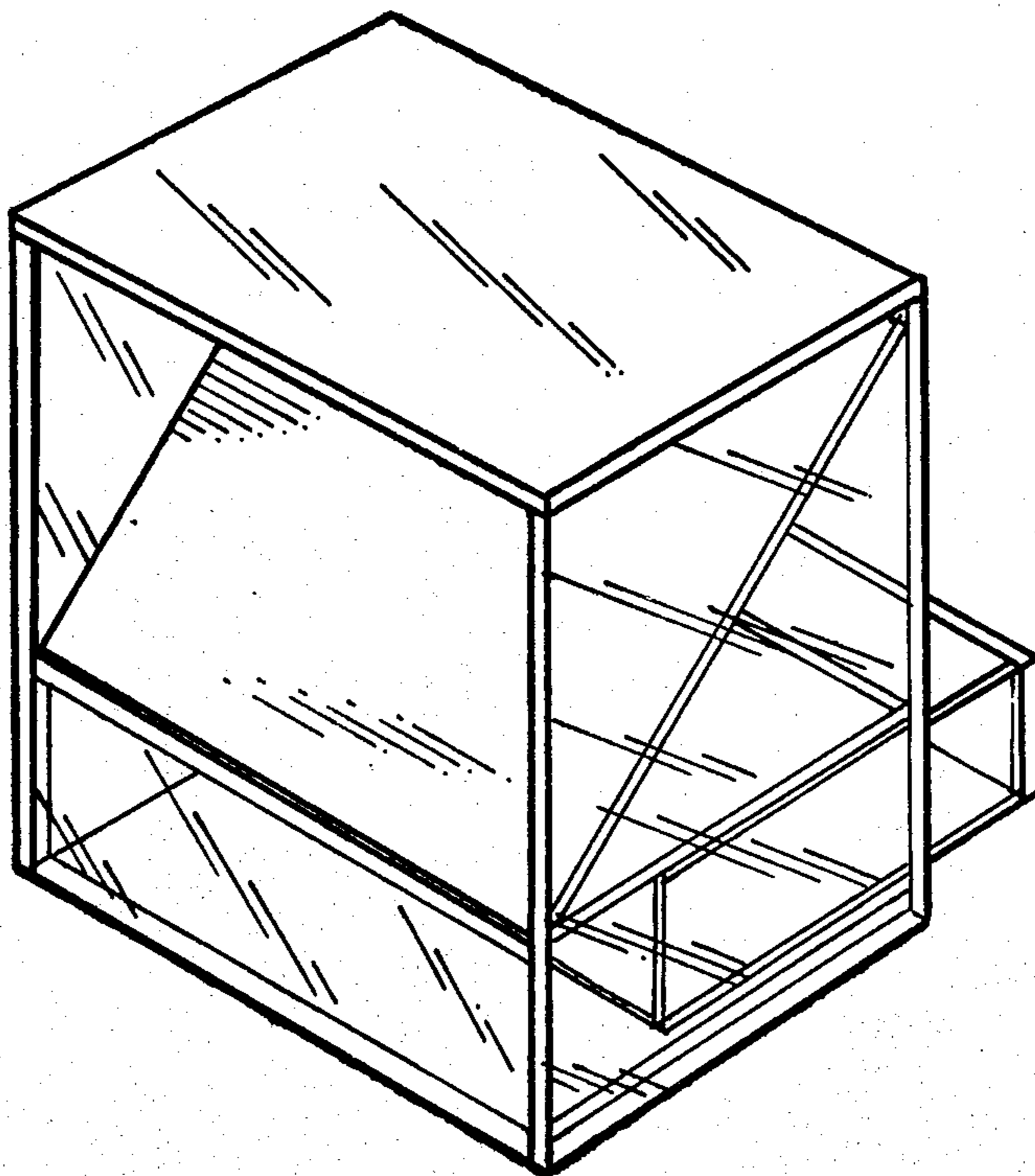
Primary Examiner—Nelson C. Holtje
Attorney, Agent, or Firm—Linval B. Castle

[57] CLAIM

The ornamental design for a reflecting mirror photo titler apparatus, as shown and described.

DESCRIPTION

FIG. 1 is a top and right front perspective view of a reflecting mirror photo titler apparatus showing my new design;
FIG. 2 is a right side elevational view thereof, the left side being a mirror image thereof;
FIG. 3 is a front elevational view thereof;
FIG. 4 is a rear elevational view thereof;
FIG. 5 is a top plan view thereof;
FIG. 6 is a bottom plan view thereof.



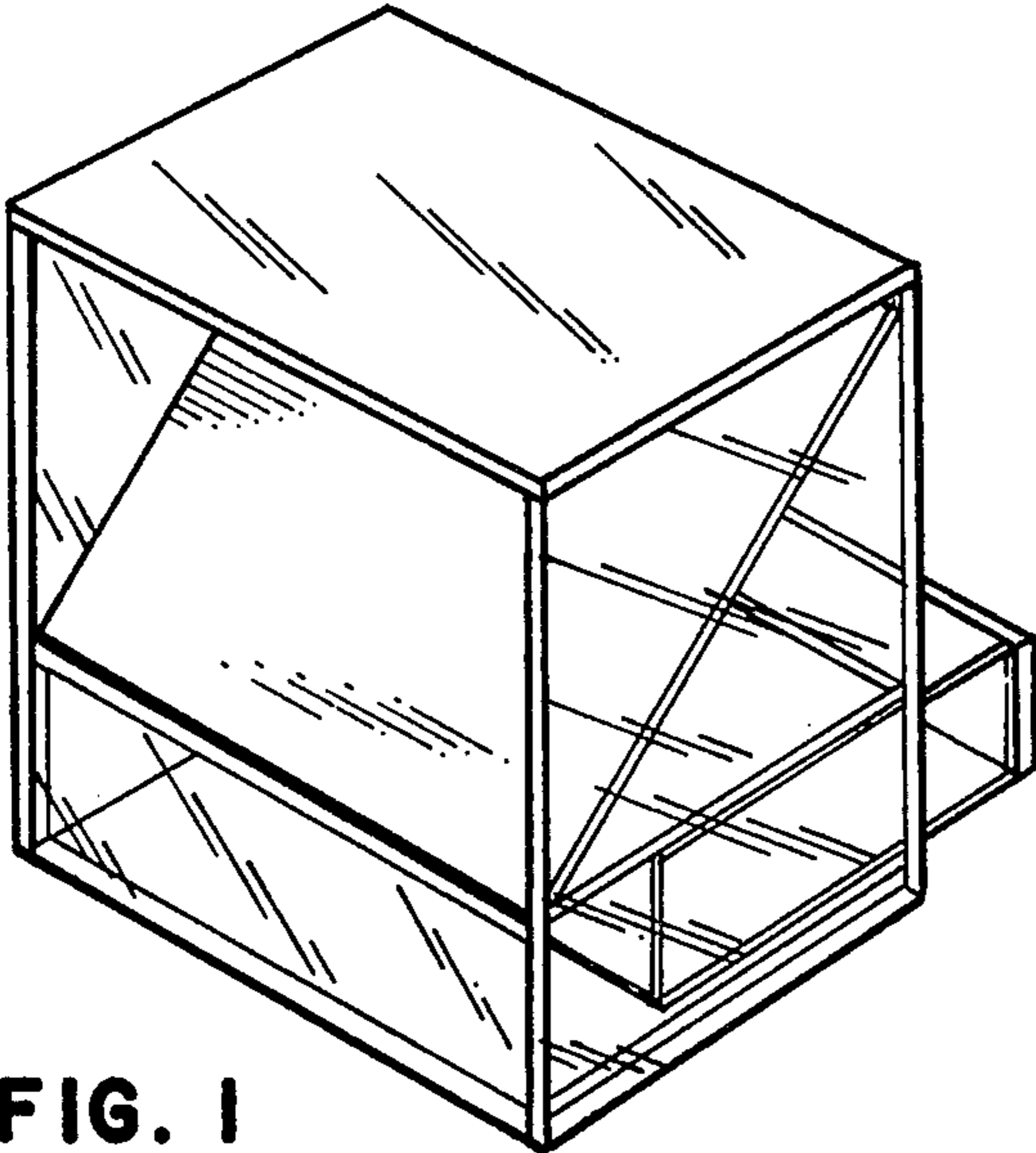


FIG. 1

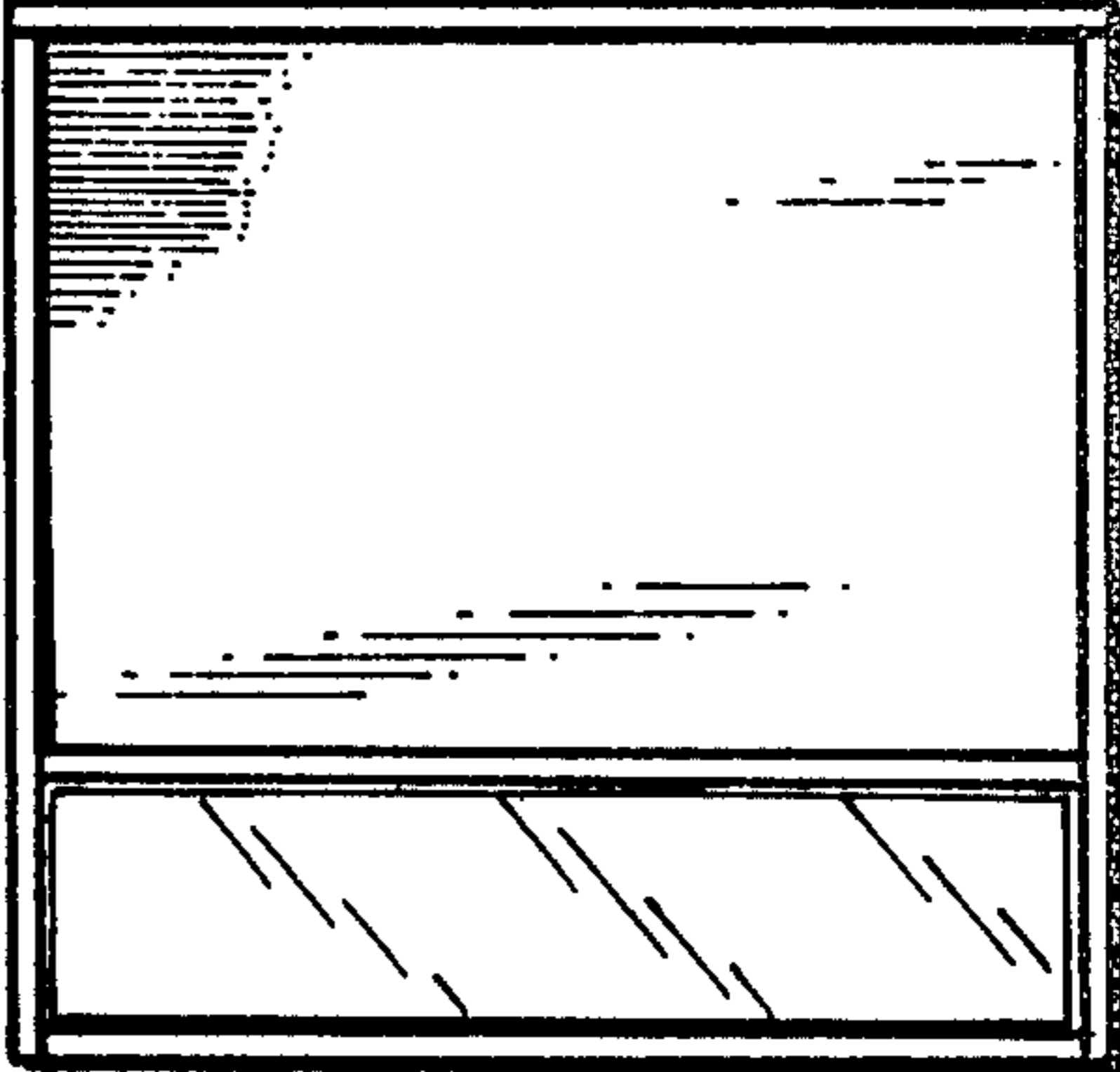


FIG. 3

FIG. 2

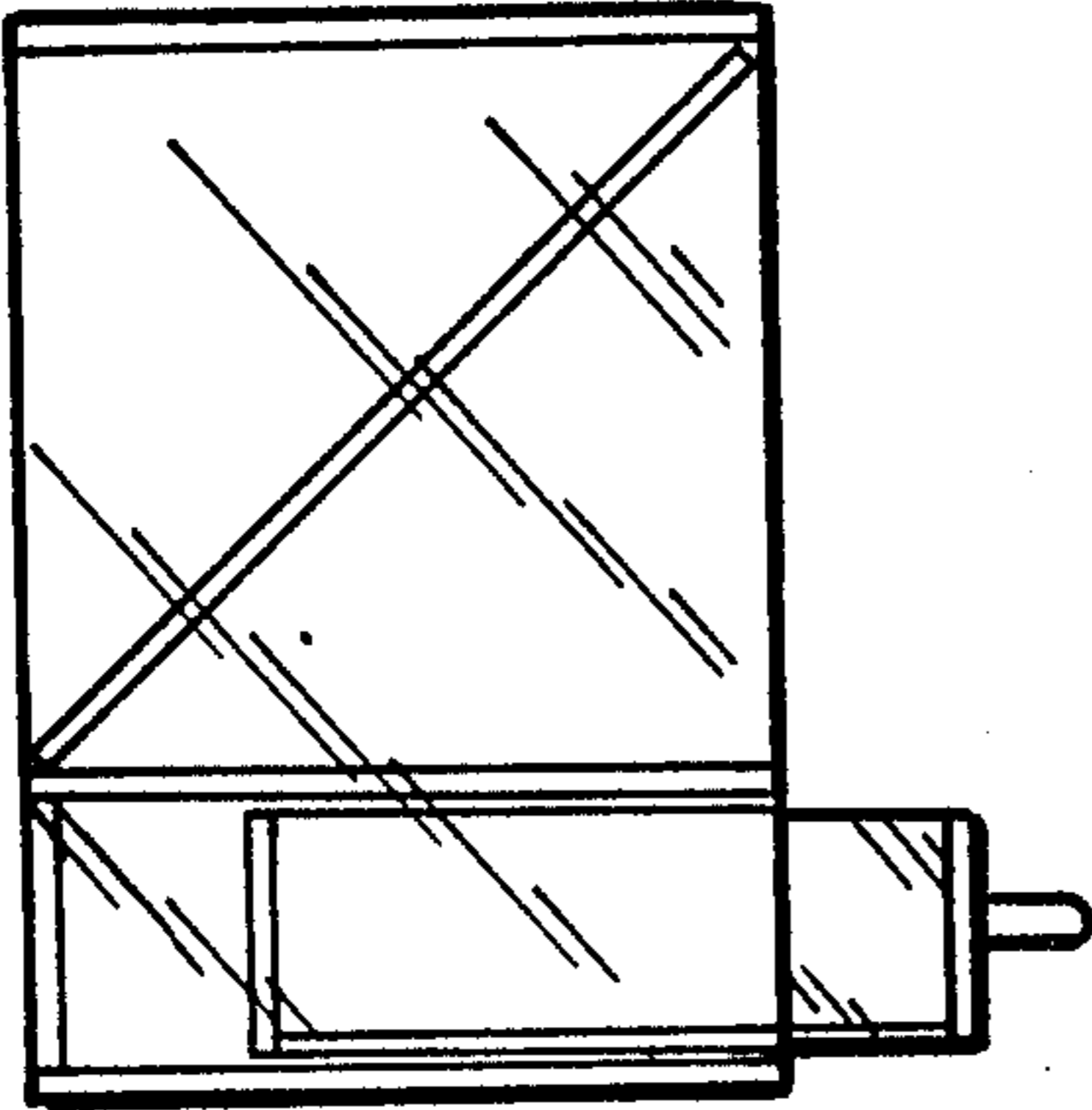


FIG. 4

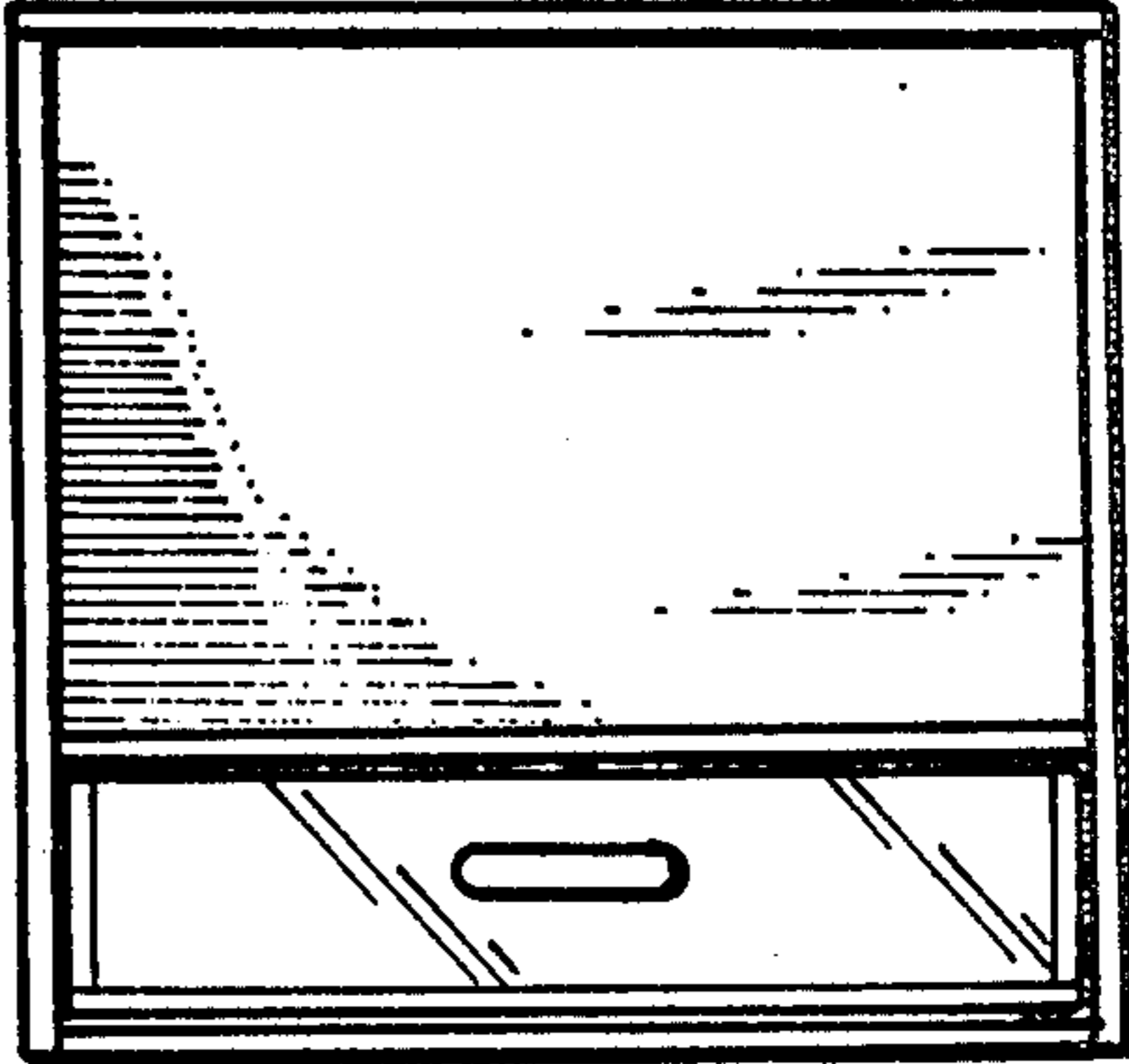


FIG. 5

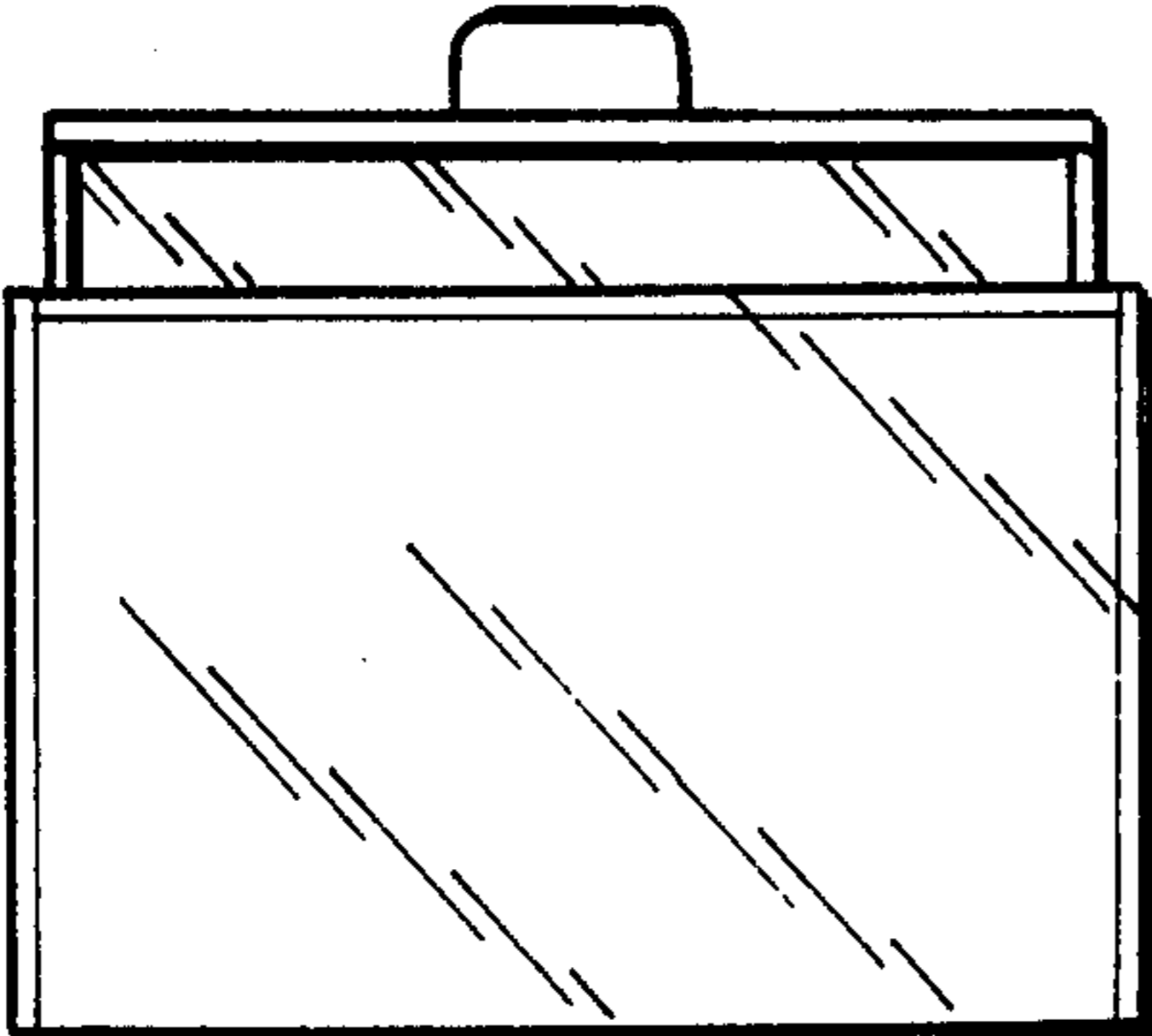


FIG. 6

